



HIDEAWAY

HIDEAWAY PLANTERS

Assembly Manual



Scan to play Setup Video

English

INTRODUCTION

In this manual, we will show you how to assemble the Hideaway Planters. Both our planters and privacy planters are assembled in the same fashion.



PLANTER
(STEPS 1 - 4)



**PRIVACY
PLANTER**
(STEPS 1 - 6)



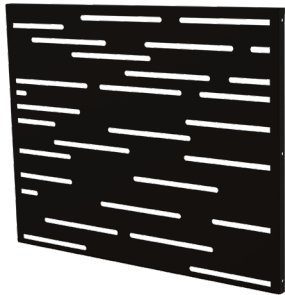
WARNING

Some steps might require the assistance of two people.

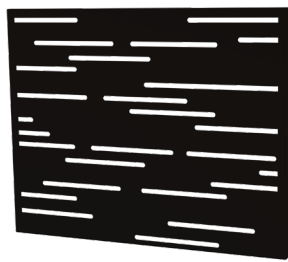
PARTS & TOOLS CHECK LIST

The following Parts are included with your assembly. The following Tools are recommended for this assembly.

PARTS LIST



TOP STANDARD HIDEAWAY
PRIVACY SCREEN
(36" W)



BOTTOM STANDARD HIDEAWAY
PRIVACY SCREEN
(36" W)



MOUNTING
POST
(1.5" x 1.5" x 72" H)



PLANTER BASE



TOP TRAY



FRONT SIDE
(36" W PANEL)



BACK SIDE
(33" W PANEL)



LEFT SIDE



RIGHT SIDE

INCLUDED HARDWARE



MACHINE SCREWS
(A)

RECOMMENDED TOOLS



POWER DRILL
w/ #3 ROBERTSON BIT



SCREWDRIVER

OPTIONAL HARDWARE



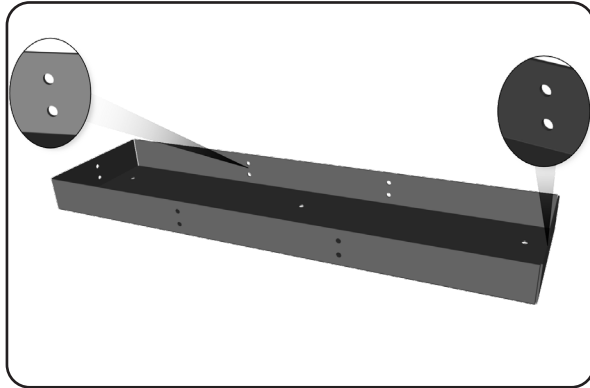
(SOLD SEPARATELY)
CONCRETE WEDGE ANCHORS
(MOUNT PLANTER BASE
INTO CONCRETE) (B)



(SOLD SEPARATELY)
GRK RSS WOOD SCREWS
(C)

INSTRUCTIONS

Step 1: Planter Assembly



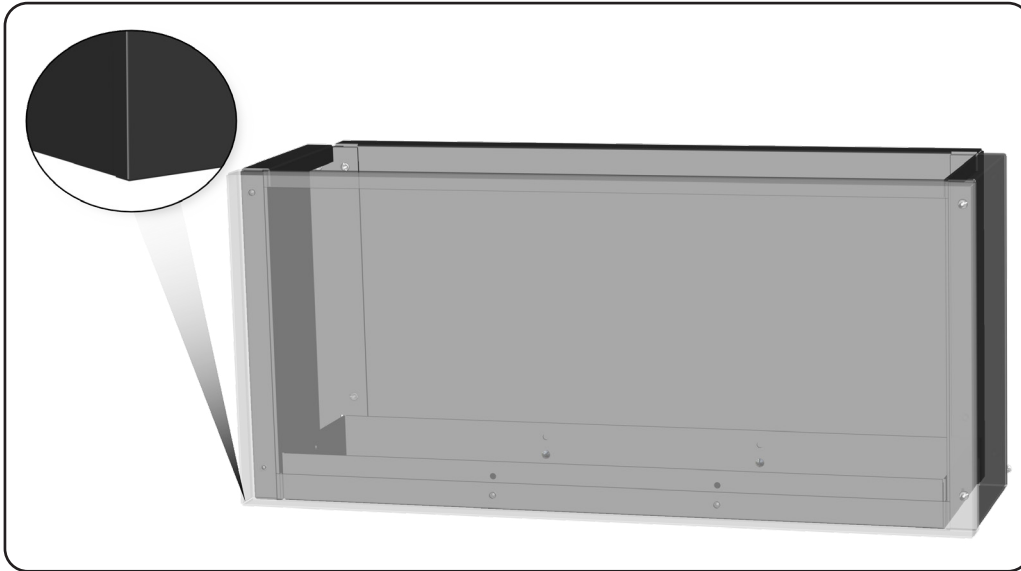
1. Planter Base

Note there are two sets of mounting holes vertically aligned on the Planter Base allowing for two design options to set up your Planter, Flush to the ground surface or elevated.

Ensure to assemble all the panels consistently on all the top or all the bottom holes depending on your selection.

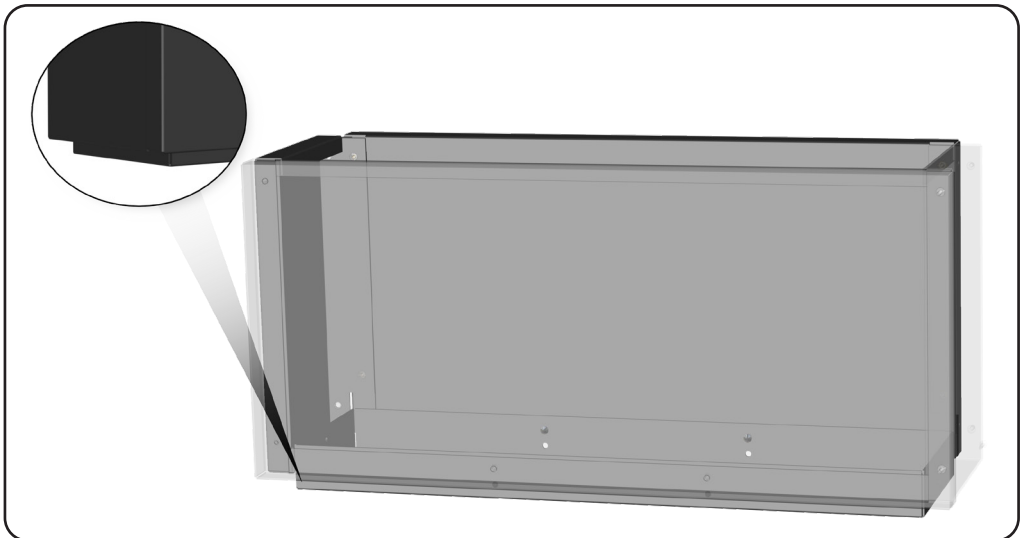
2. Choose your Planter Variation

The planter has two options, flush or elevated. Both options still allow for drainage and anchoring as necessary.



**OPTION A:
FLUSH OPTION**

Flush Option : Utilizing the Bottom holes on the Planter Base results in the planter sitting flush with the ground surface, as shown.

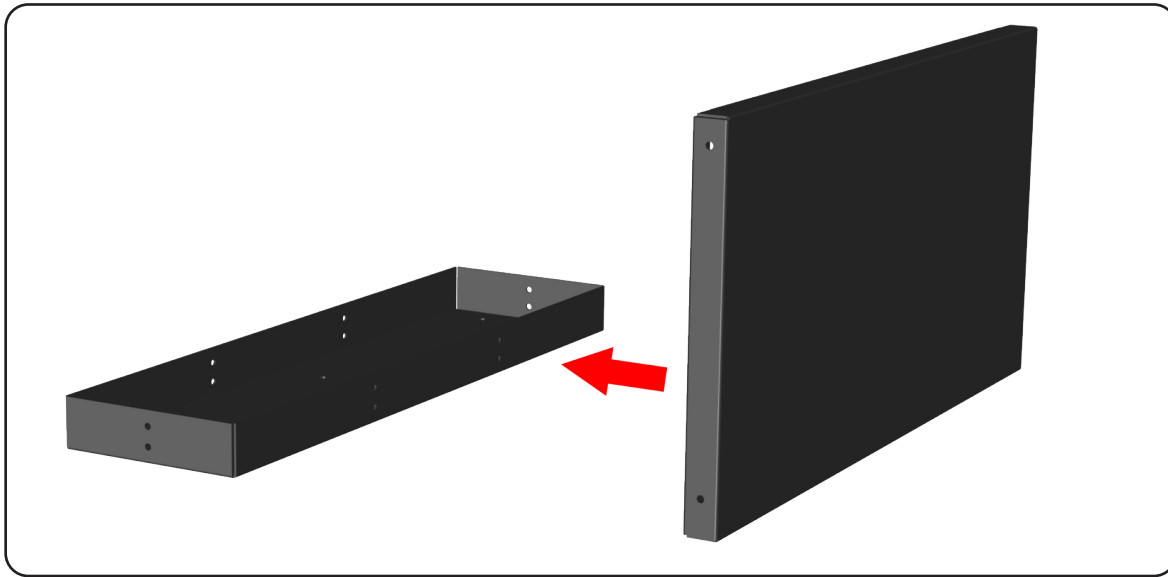


**OPTION B:
ELEVATED OPTION**

Elevated Option : Utilizing the Top holes on the Planter Base results in the planter perimeter sitting elevated from the ground surface, as shown.

INSTRUCTIONS

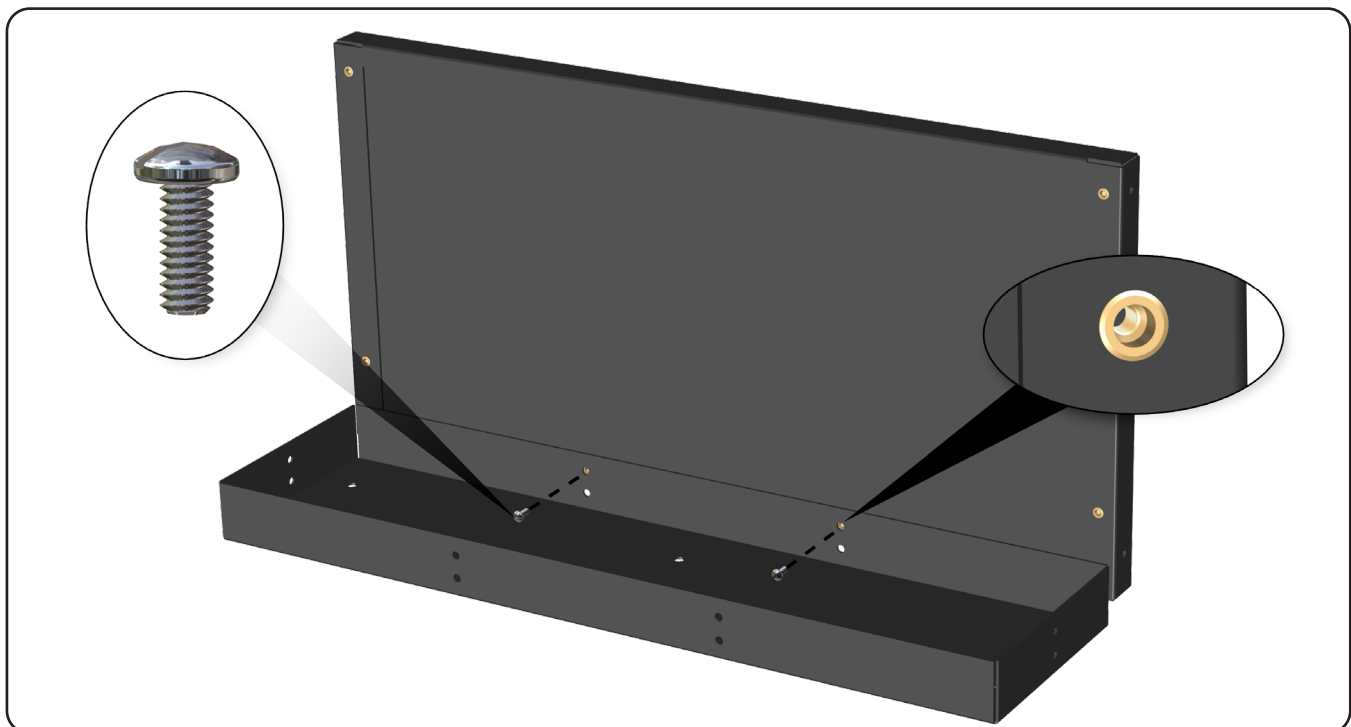
Step 2



1. Attach the Rear Panel

Locate and attach the Rear Panel. Match the bottom holes of the rear panel to the desired holes on the Planter Base.

Installation Tip: It may be beneficial to fully assemble the planter with only hand tightened screws to ensure all panels are flush, and then fully tighten after all panels are installed.



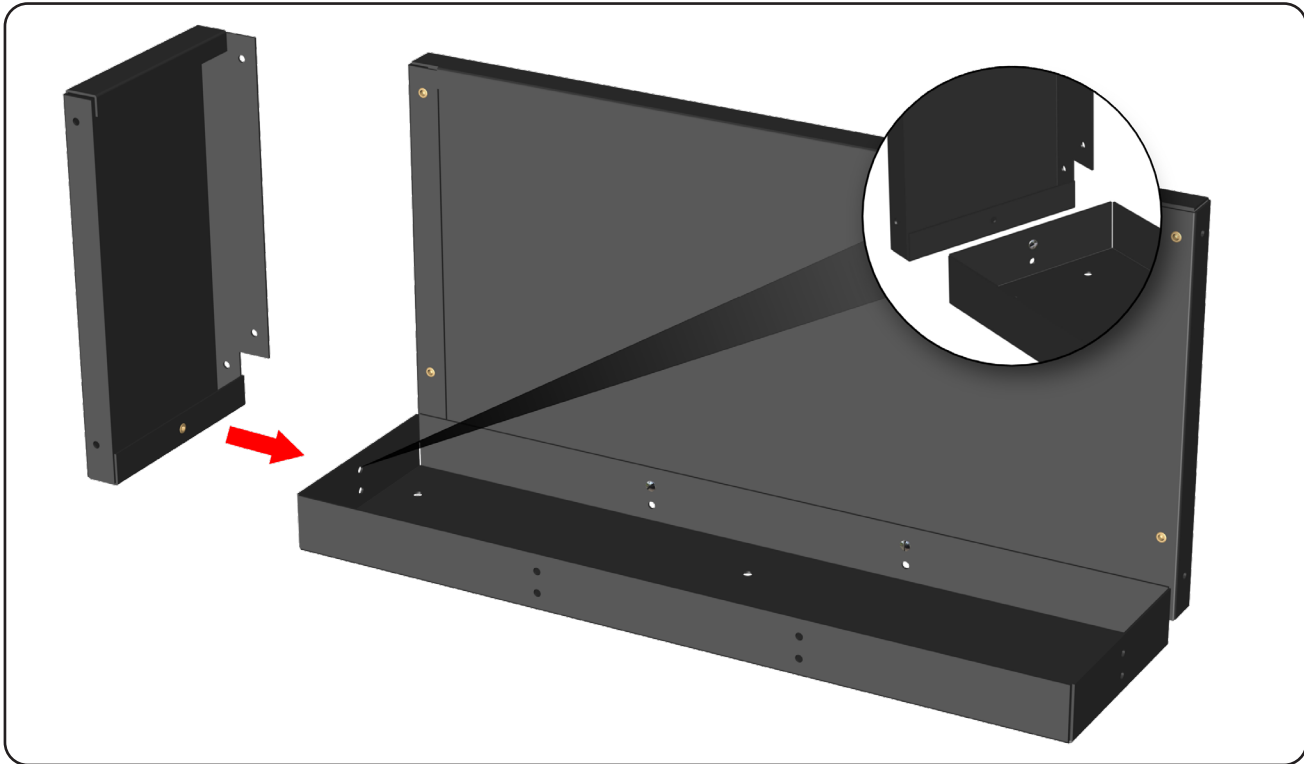
2. Secure the Rear Panel

Next, attach the Rear Panel using the machine screws provided.

Privacy Planter Note: if you are assembling the Privacy Planter, the rear panel will be shorter than the front panel to accommodate the posts.

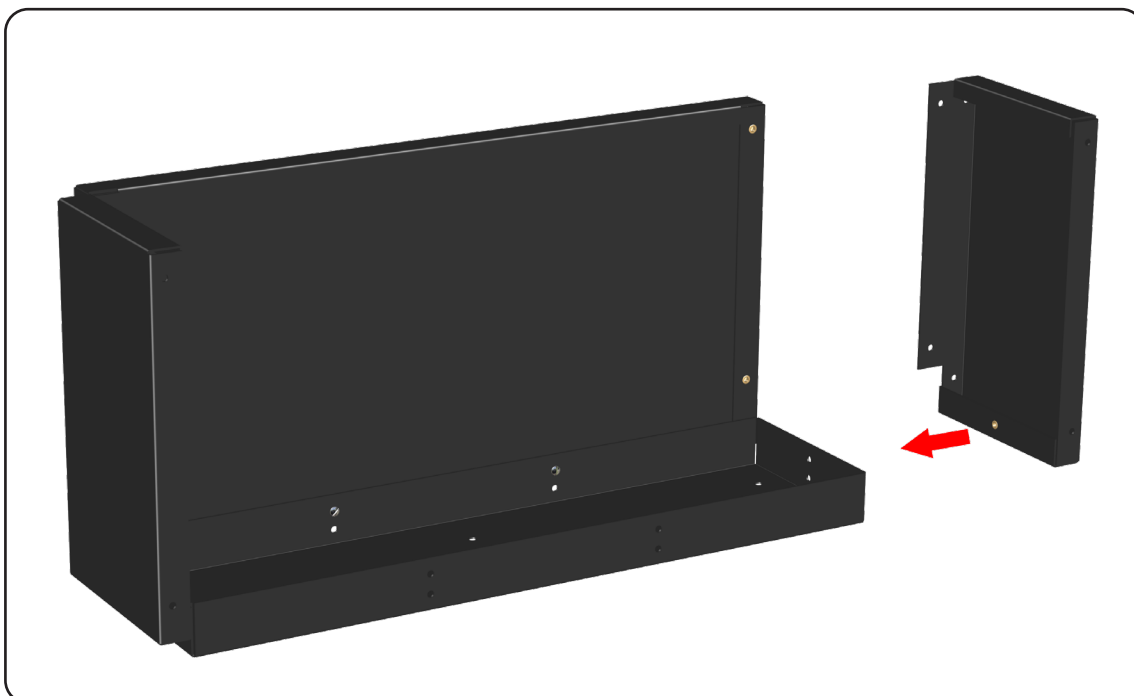
INSTRUCTIONS

Step 3



1. Secure Side Panel

Once the rear panel is installed, continue by mounting the side panels to the base at the selected height on the base and to the rear panel, using the provided machine screws.

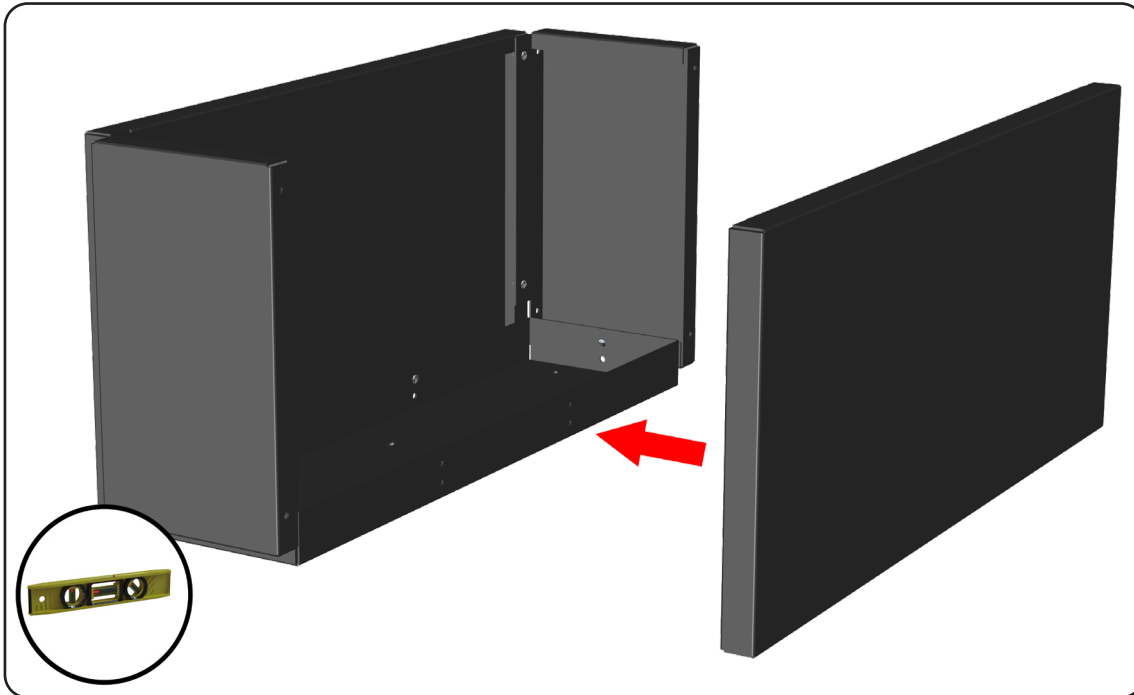


2. Secure Side Panel

Repeat these steps for the other Side Panel.

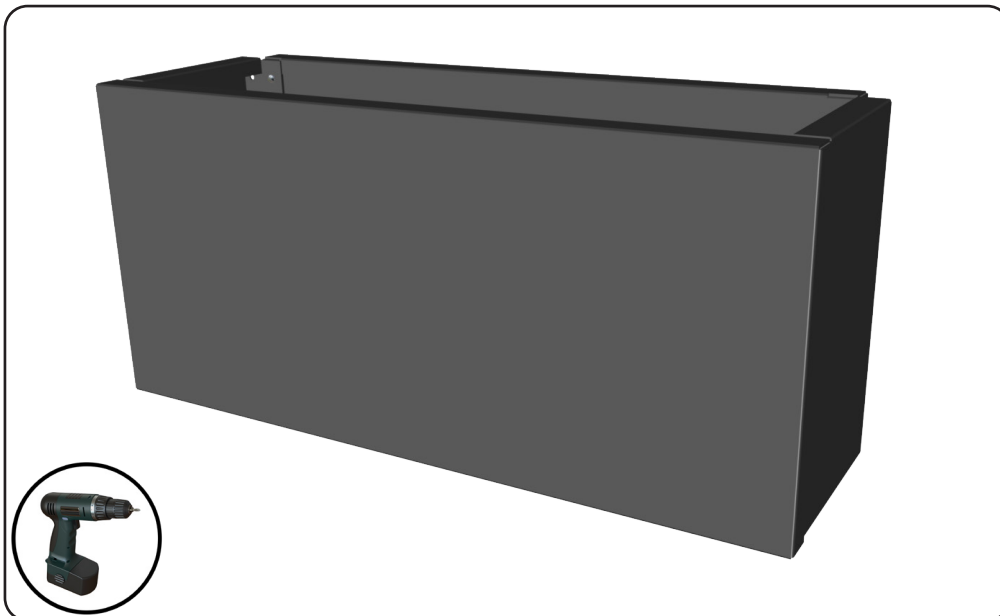
INSTRUCTIONS

Step 4



1. Install Front Panel

Lastly, Repeat the mounting process for the front panel by attaching to the base and sides with the machine screws. Before fully tightening each machine screw, ensure the tops and sides of panels are flush/level to one another.



2. Secure all Panels

Fully tighten the screws using either a screwdriver, or drill.
Congratulations!

Your Hideaway Planter assembly is now complete. If you are assembling the Hideaway Privacy Planter, please continue with the steps below for the post and screen installation.

INSTRUCTIONS

Privacy Planter



The planter may also be anchored down if desired and may be completed at this time provided there is access to the rear of the planter for the screen installation. Anchor Bolts are not included, however are available separately.

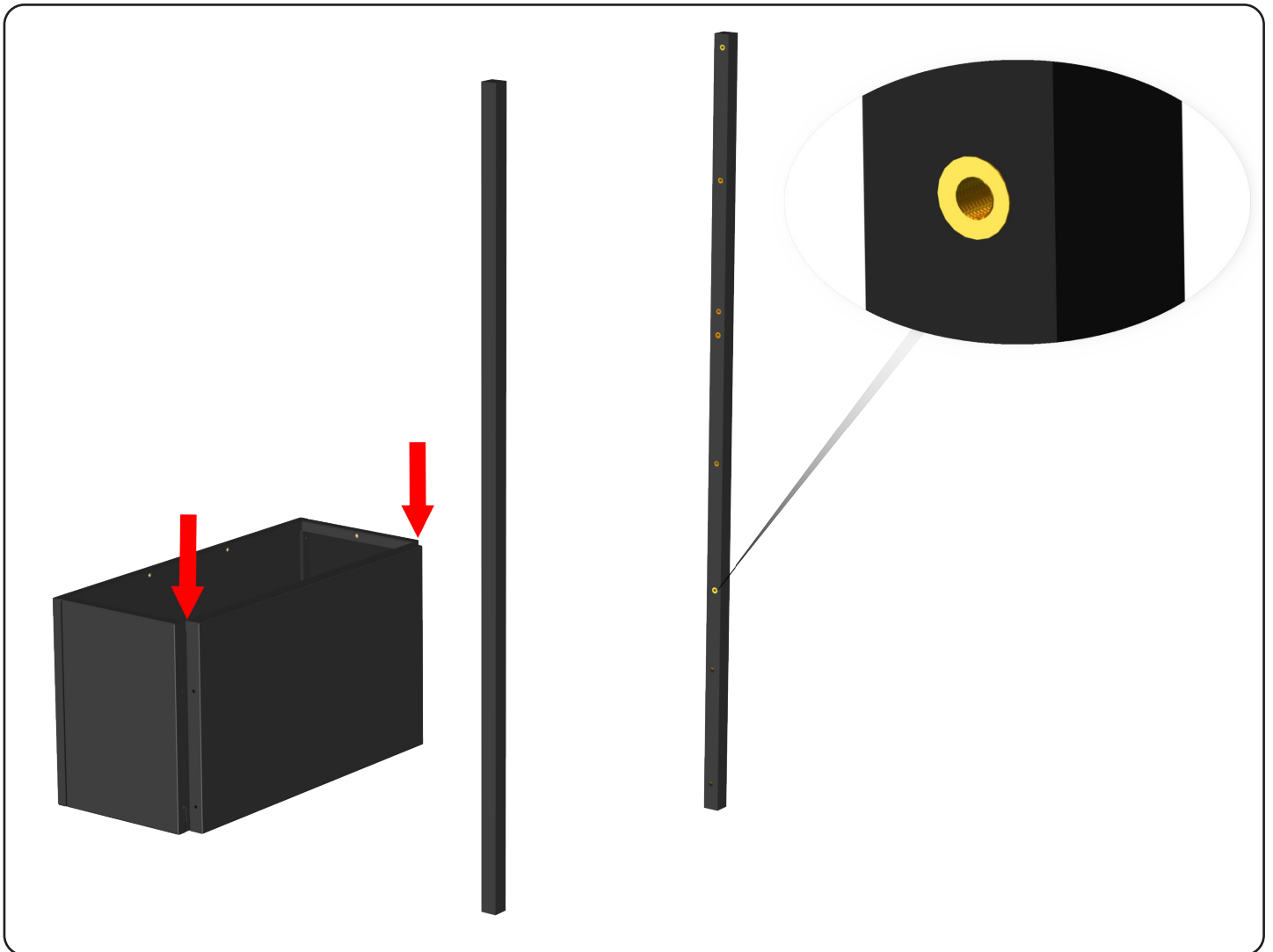


INSTRUCTIONS

Step 5 - Privacy Planter - Post installation

INSTALLATION TIP:

It may be beneficial to assemble the posts and screens with only hand tightened screws to ensure all panels are flush, and then fully tighten after.



1. Place and Align the Posts

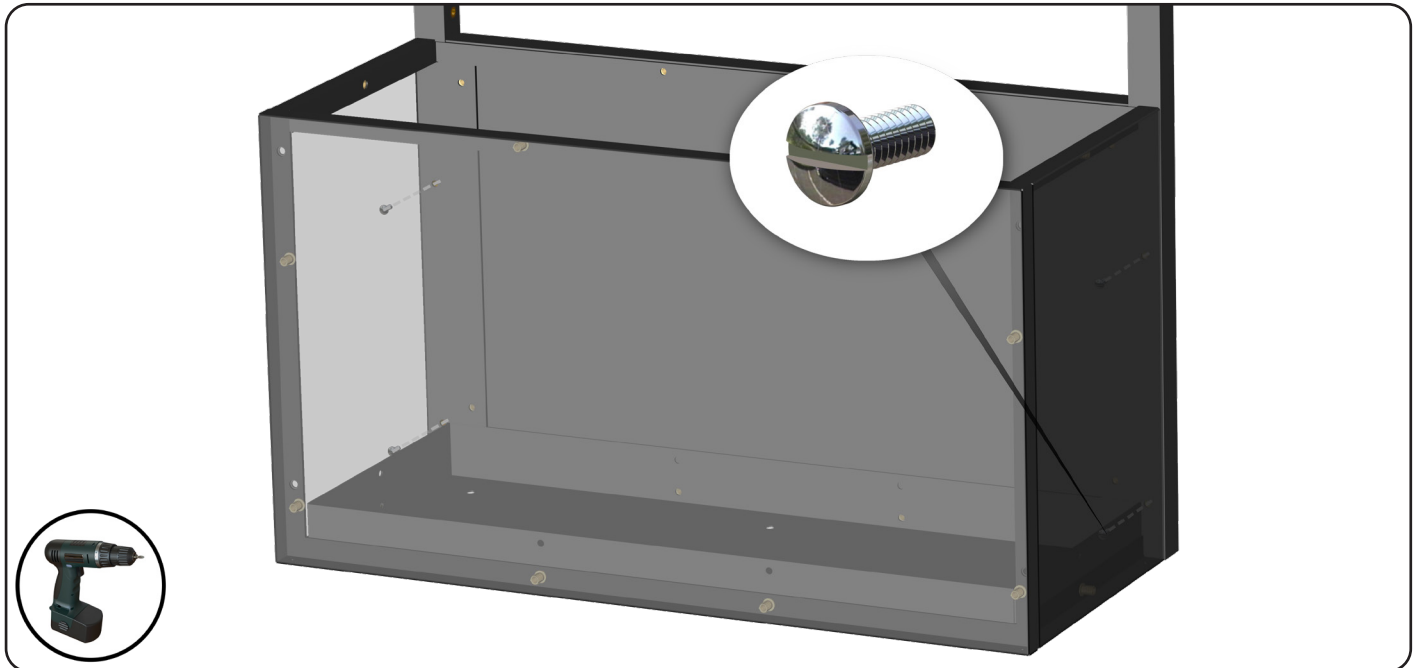
Locate and place the posts in the rear corner notches of the planter box, and align with the pre-drilled holes within.

Installation Tip: The Privacy Planter may be unstable during assembly. We strongly recommend adding some weight inside the planter for added stability until the weight of soil/plants or other weight is added.

Please Note: The posts are specific to the right and left sides, ensure the posts are placed in the appropriate location. The inner face of the post should have 7 pre-drilled holes for the screen installation.

INSTRUCTIONS

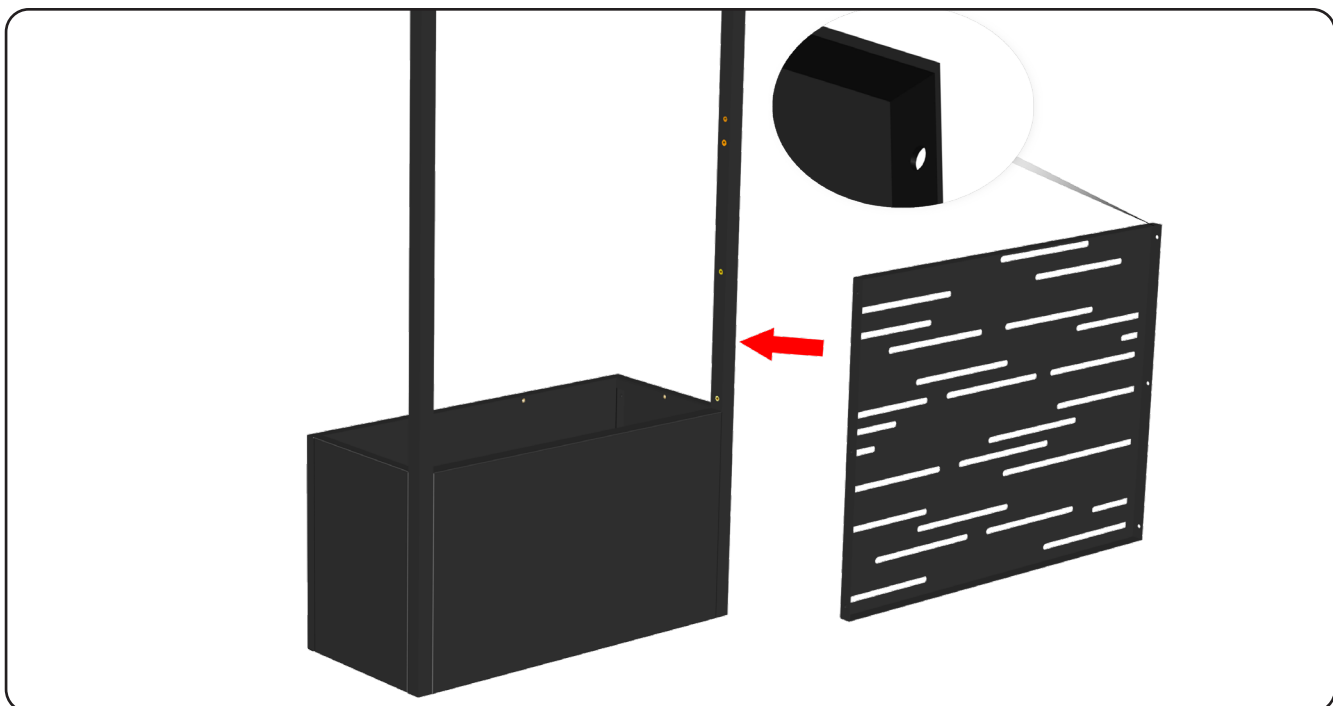
Step 5 - Privacy Planter - Post installation (cont.)



2. Secure the Posts

Upon placing the post in the proper location, secure the post to the back and side panels inside the planter box, using the machine Screws.

Step 6 - Screen Installation

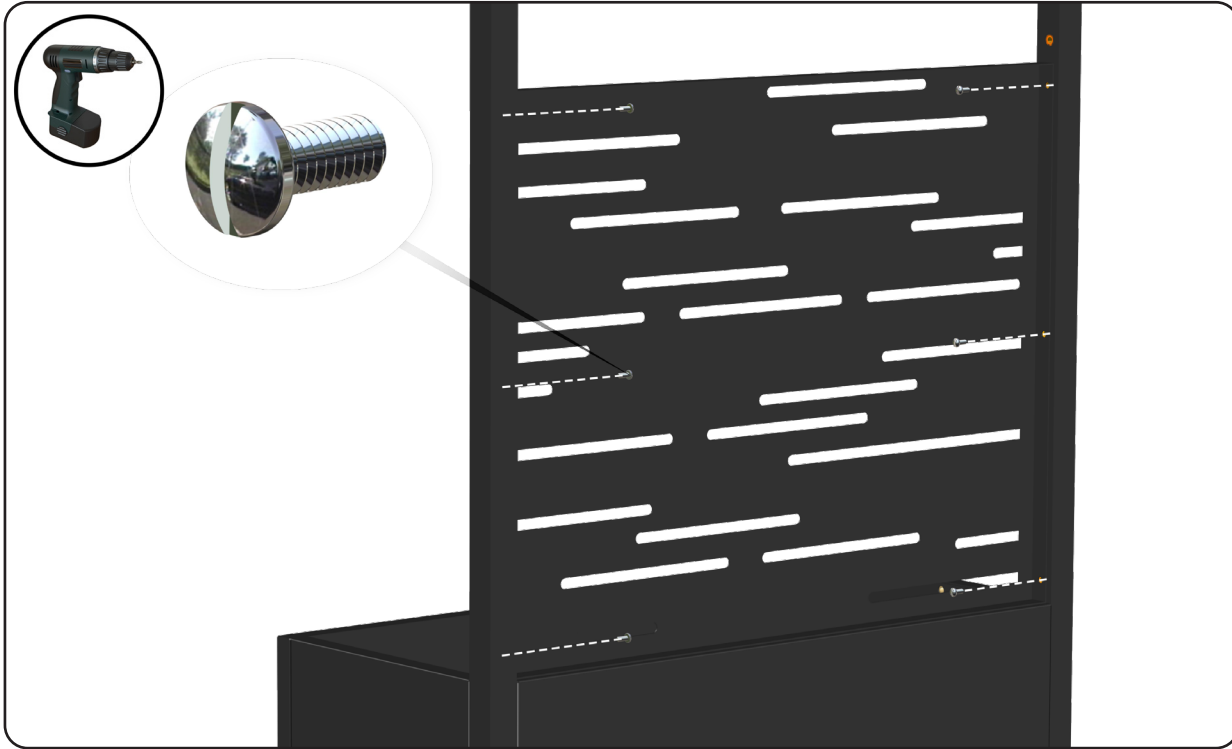


1. Place the Bottom Privacy Screen

Align the bottom screen with the predrilled holes on the back of the posts and mount using the machine screws.

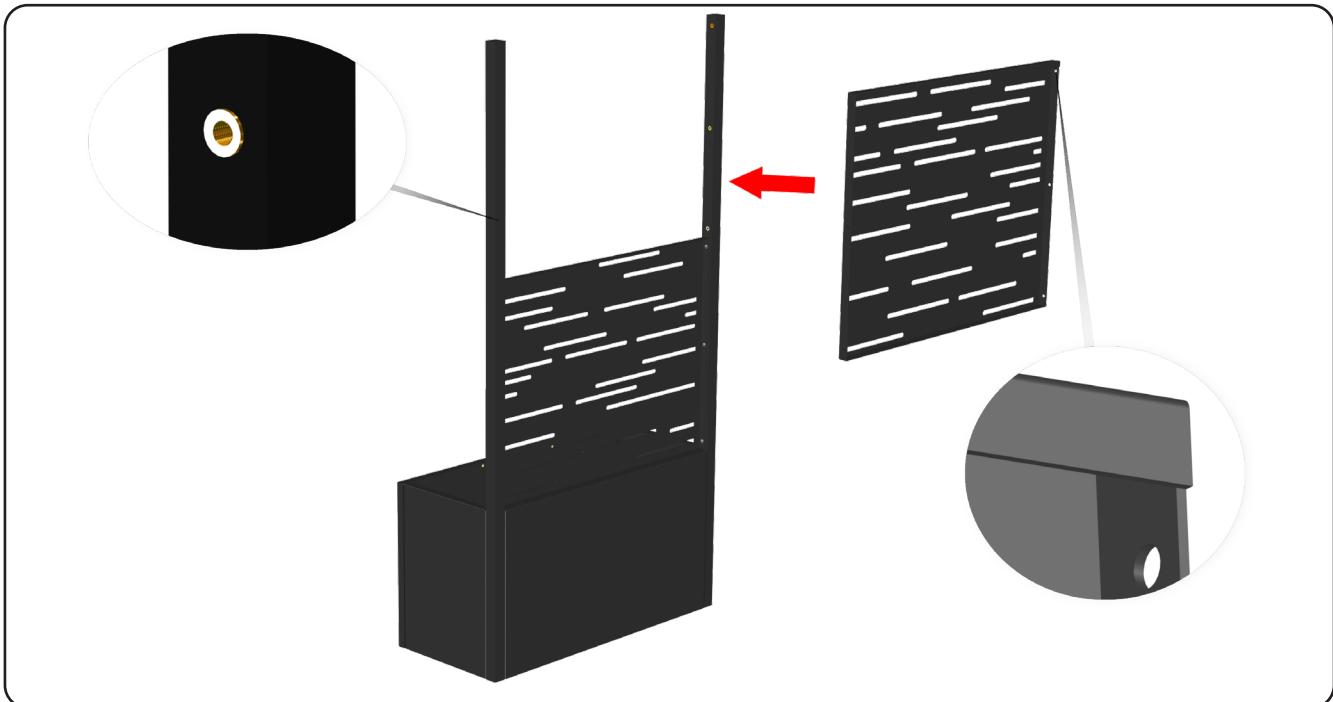
INSTRUCTIONS

Step 6 - Screen Installation (cont.)



2. Fasten Posts using the Machine Screws

Once all screws are installed, fully tighten all the screws using either a screw driver, or drill.

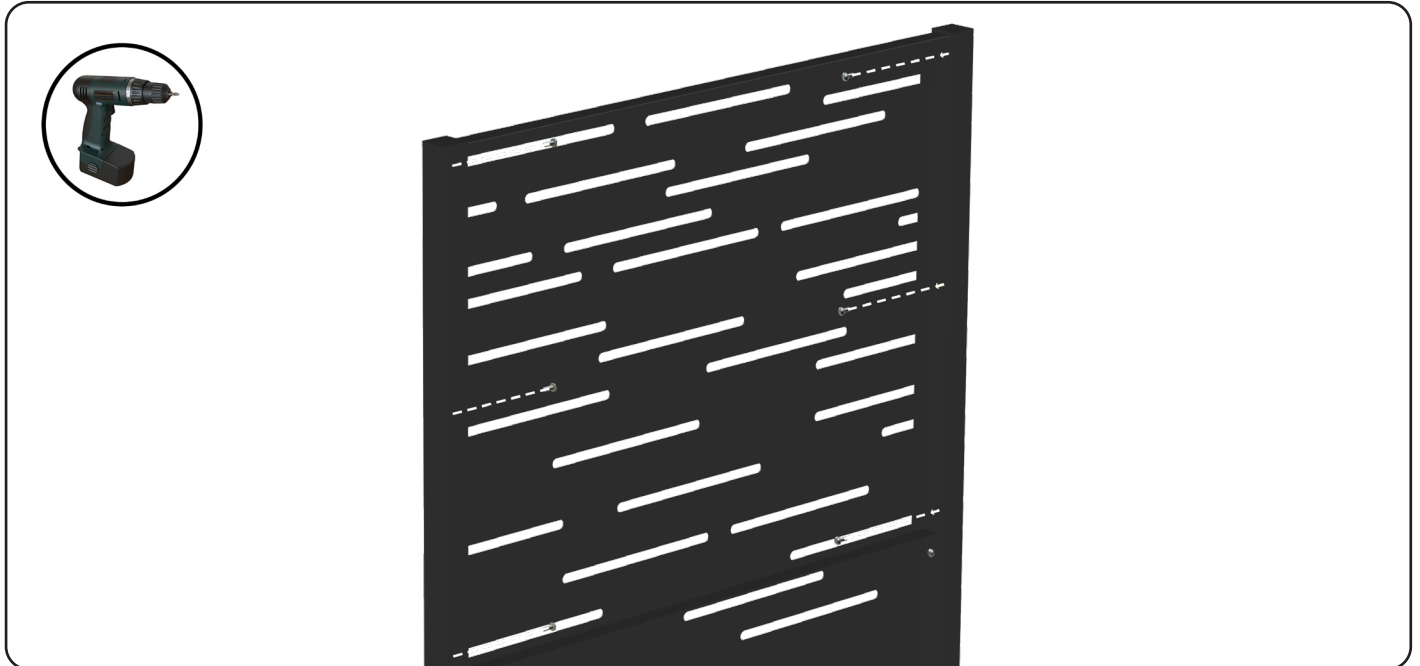


3. Place the Top Privacy Screen

Align the top screen with the predrilled holes on the back of the posts and mount using the machine screws. The top screen has an extra bend on top as shown.

INSTRUCTIONS

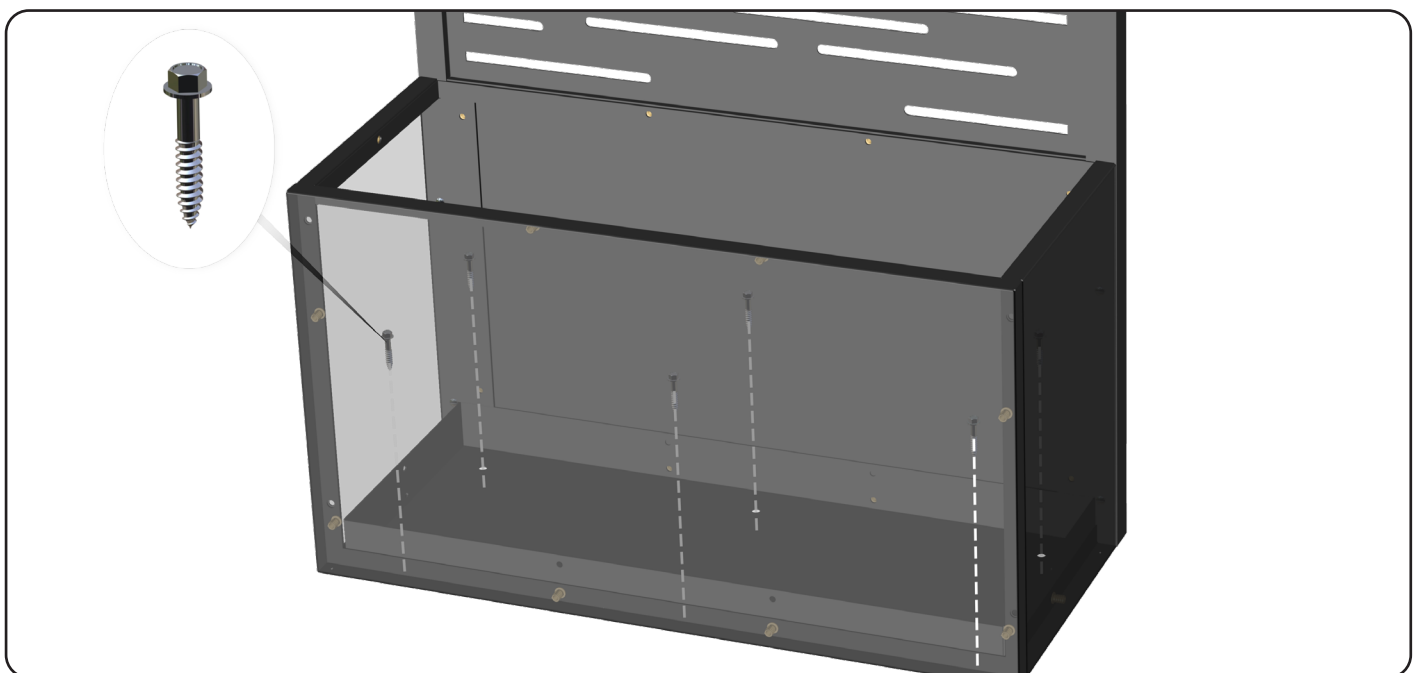
Step 6 - Screen Installation (cont.)



4. Fasten Posts using the Machine Screws

Once all screws are installed, fully tighten all the screws using either a screw driver, or drill.

Step 7 - Optional Step

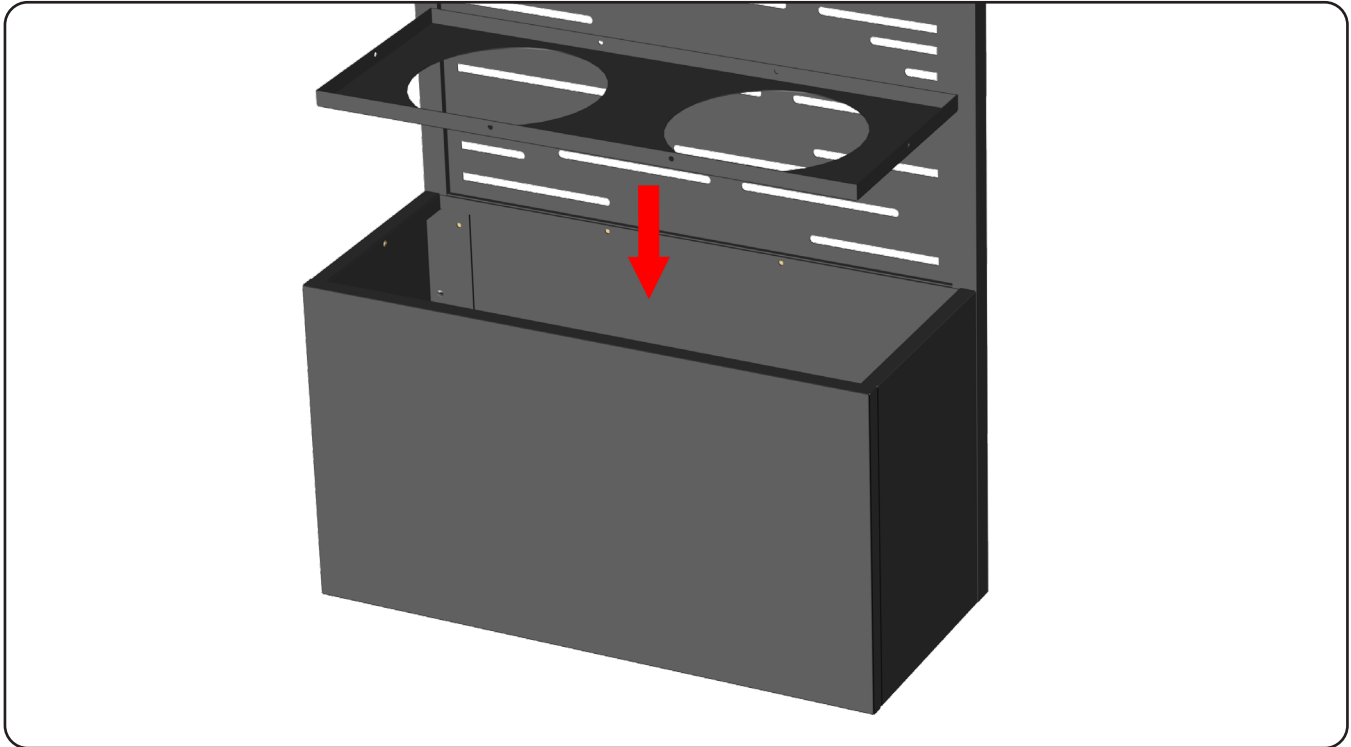


1. Anchor the Base (OPTIONAL STEP)

Please Note: The planter may be unstable without sufficient weight, or being anchored down. Use the appropriate anchors, and tightly secure the planter base, or fill planter with soil, or other weight to ensure planter does not tip over.

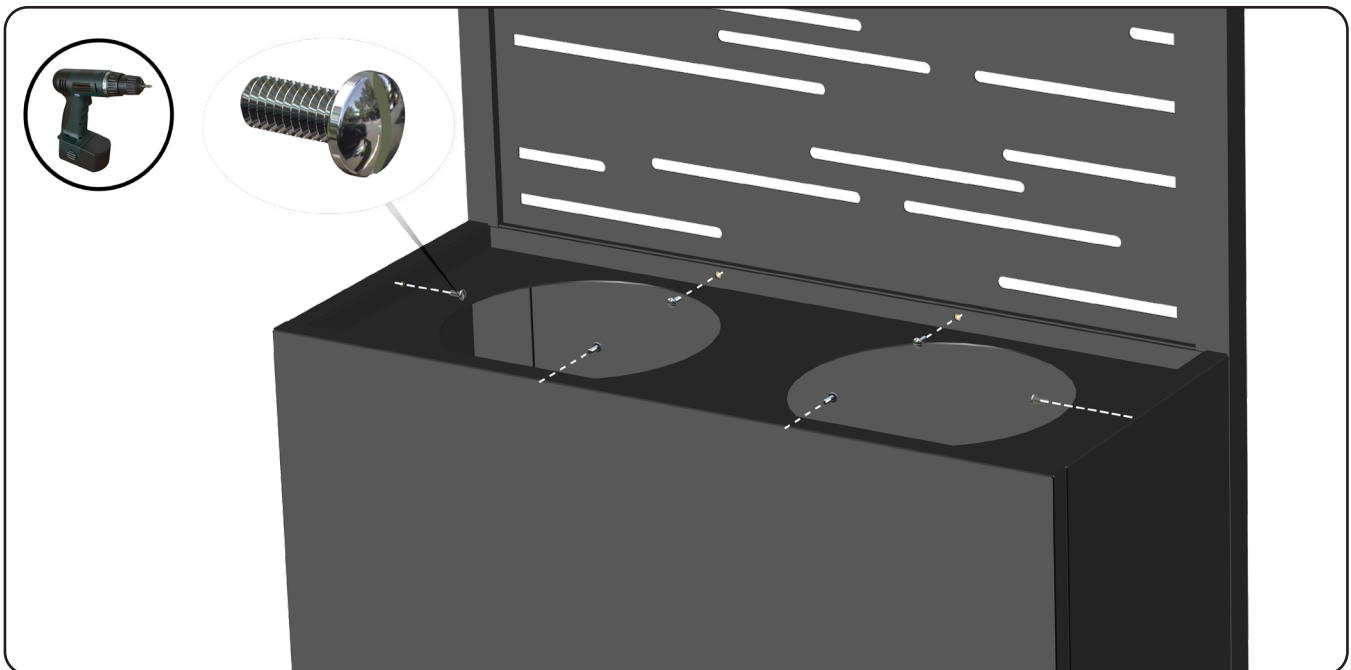
INSTRUCTIONS

Step 7 - Optional Step (cont.)



2. Attach the Top Tray

Place the Top Tray inside of the base, matching the inner top side holes.



3. Fasten the Top Tray using the Machine Screws

Align the Tray with the predrilled holes on the side of the Base, and mount using the machine screws.

Congratulations! Assembly of the Hideaway Privacy Planter is now complete.
Check to ensure all components are tight, and properly assembled.



Enjoy your new, Hideaway Privacy Planter!



Technical Support

Get in touch with us and we'd love to answer all your questions or comments. We have our team ready to help with anything you need.

info@hideaway.inc
+1 866-933-6833

[@HIDEAWAY_INC](https://www.instagram.com/HIDEAWAY_INC) 
[HIDEAWAYSCREENS.CA](https://www.hideawayscreens.ca) 

[HIDEAWAYCANADA.COM](https://www.hideawaycanada.com) 
[HIDEAWAYUS.COM](https://www.hideawayus.com) 