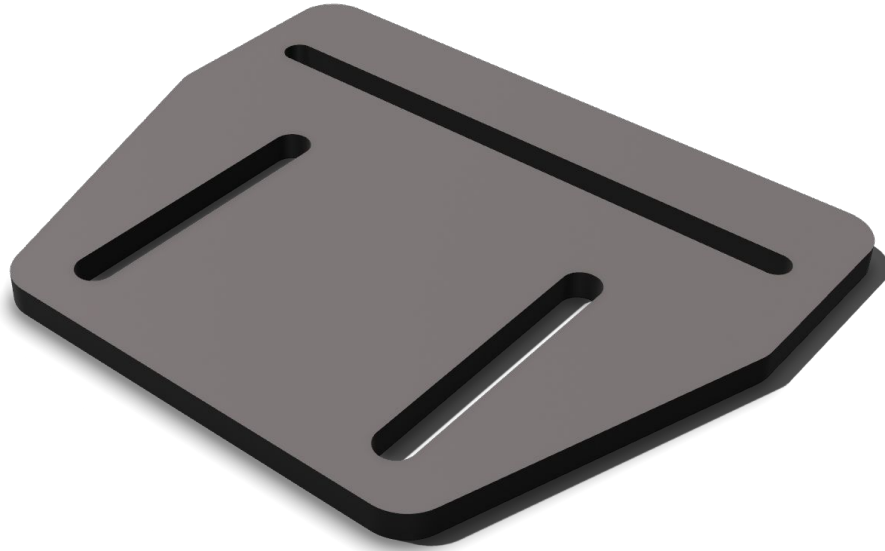


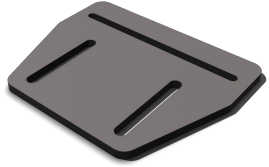


# Wave Fork Mount Adaptor Setup

Rev. 1.0



# Package Contents



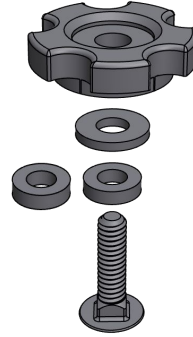
1 x Mount Plate



2 x Rubber  
Bumpers

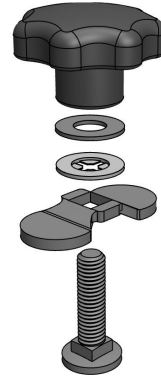


2 x Fork mount  
fastener sets



Wave Tray  
2 x Attachment  
Assemblies

Or



L-track  
2 x Attachment  
Assemblies

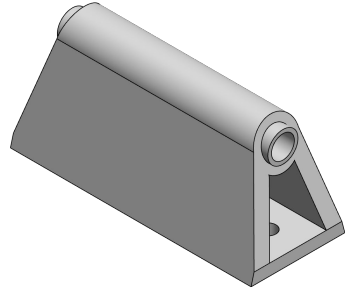


# Attaching a Fork Mount

The Wave Fork Mount Adaptor comes with two 1/4" carriage bolt assemblies to attach your Fork Mount (Not included).

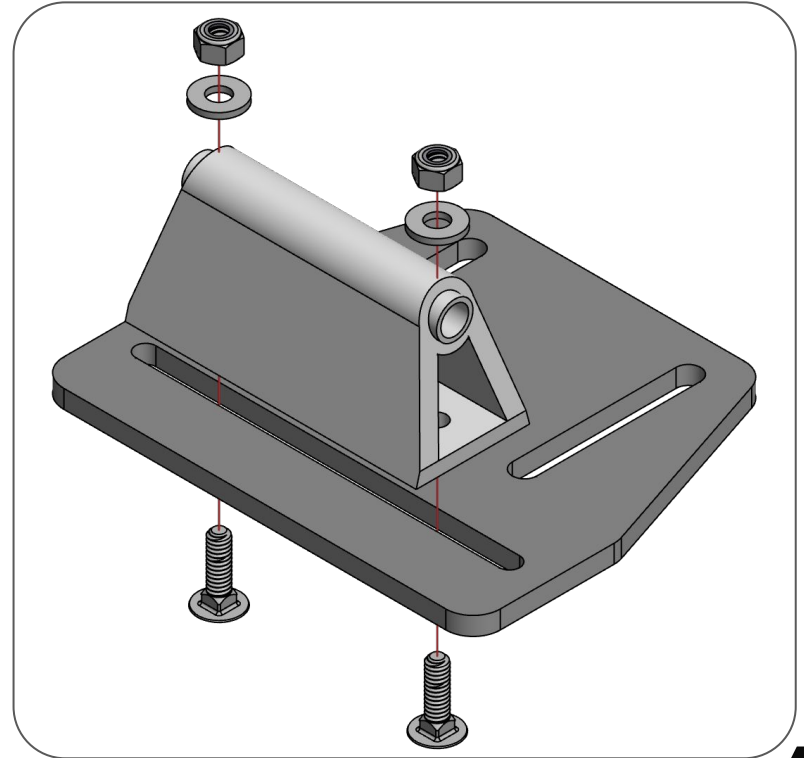
Use a 7/16" socket and ratchet or wrench to tighten.

If your fork mount does not fit 1/4" fasteners you will need to source smaller fasteners for your mount.



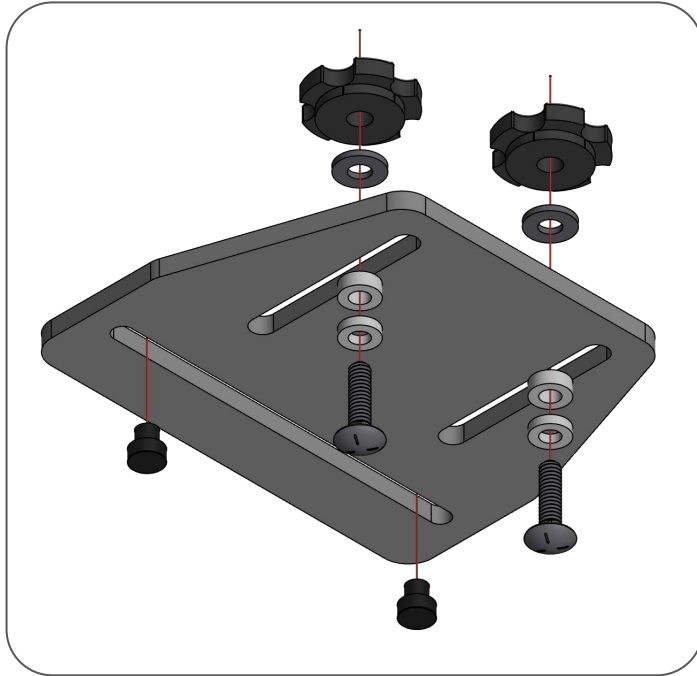
**Fork Mount  
(Not included)**

## Fork Mount Assembly

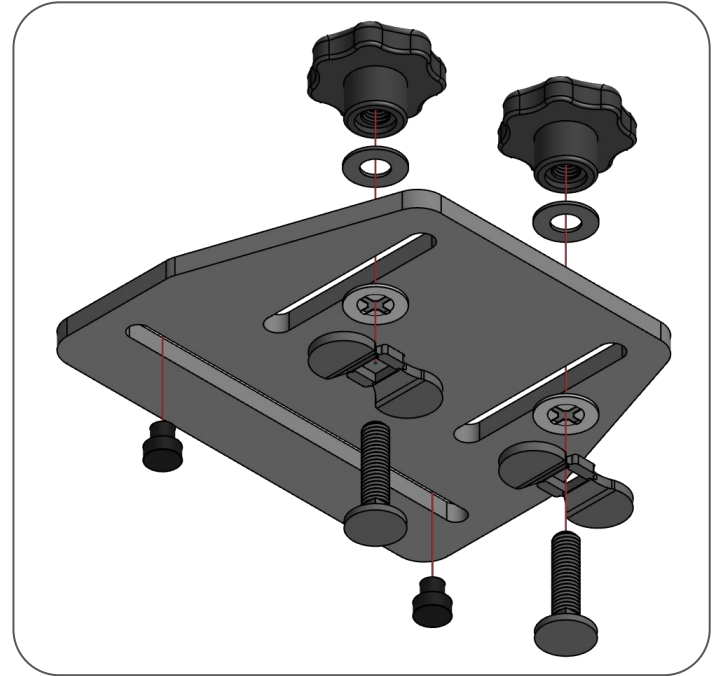


# Mounting Plate Assembly

## Wave Tray Fitment



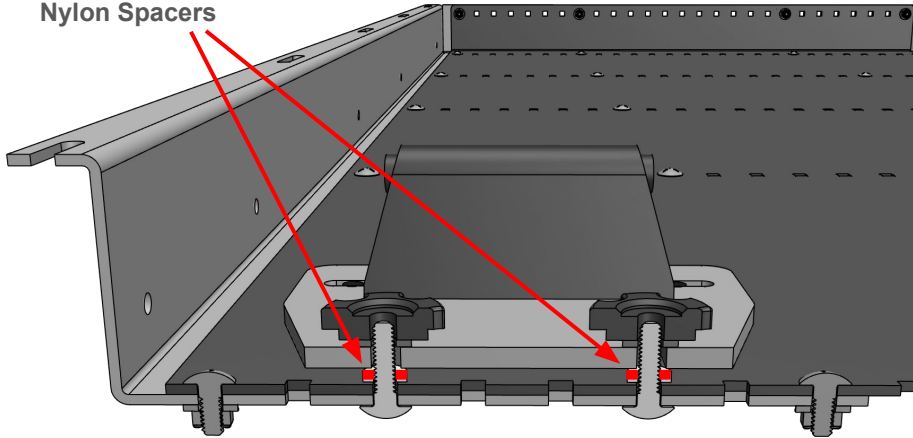
## L-track Fitment



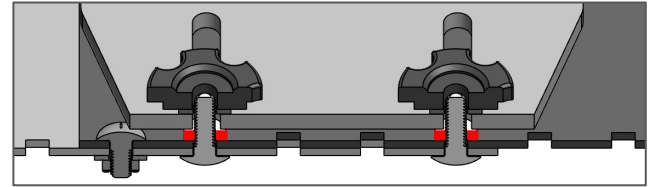
# Wave Tray Installation

1. Identify plate position on a Wave Tray where 2 parallel mounting slots sit above square carriage bolt holes
2. Place nylon spacers under plate to level
3. Insert Carriage Bolts from below
4. Add washers onto carriage bolts
5. Place plate onto carriage bolts adding washers and thumb knobs
6. Regularly check for tightness

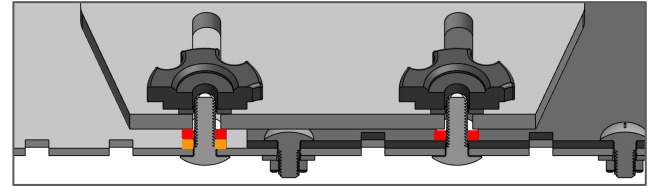
Nylon Spacers



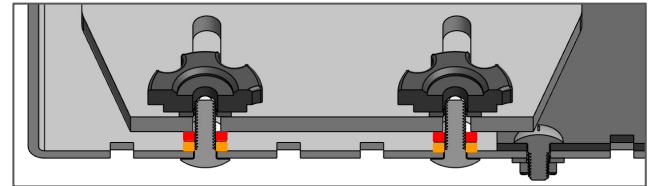
1 spacer per bolt



2 spacers on one bolt and 1 on the other

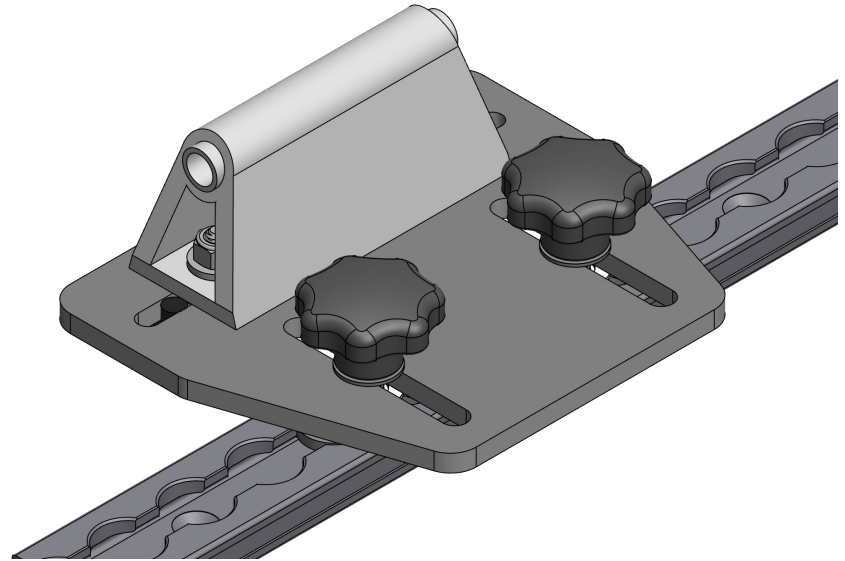
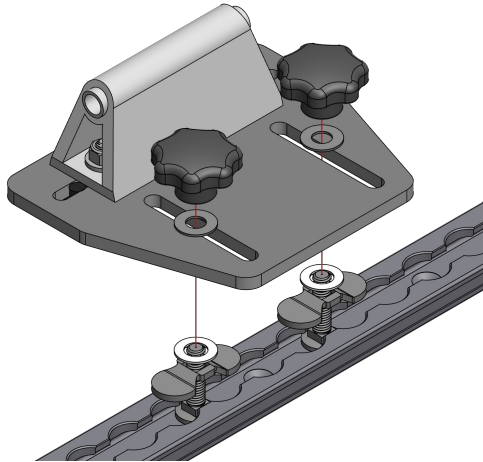


2 spacers per bolt



# L-Track Installation

- 1) Identify optimum mount location for your bike and garage setup
  - a) Slots allow angled mounting
- 2) Insert studs and wings into L-track
- 3) Use nylon lock washer to hold the stud and wing in place (especially helpful when mounting to wall for storage)
- 4) Place plate into position adding washers and thumb knobs
- 5) Regularly check for tightness



**Radio Vans Ltd. products must be properly assembled according to the manufacturer's instructions. Prior to use products must be properly secured. Improper securement may result in failure of the product leading to a vehicular accident causing serious injury or death. The purchaser holds sole responsibility for correct assembly and securement of Radio Vans Ltd. products to a vehicle. Radio Vans Ltd. recommends regular inspection of mounting points, attachments and product for wear and or damage. Radio Vans Ltd. recommends professional installation of aftermarket accessories to your vehicle. If the purchaser does not have adequate experience and is not thoroughly familiar with industry installation best practice, the product must be installed by a qualified individual.**

