

NEOZ

# MANHATTAN

Cordless Table Lamp



Designed & Assembled  
in Australia



5 Year  
Warranty



95+ CRI  
LED



All Parts  
Replaceable



International  
Delivery



Lacquered  
Forged Brass with  
Cotton Shade



Lacquered  
Forged Brass with  
Pleated Silk Shade



Lacquered  
Forged Brass with  
Frosted Glass Shade



Lacquered  
Forged Brass with  
Amber Glass Shade



Lacquered  
Forged Brass with  
Green Glass Shade



Lacquered  
Forged Brass with  
No Shade

NEOZ  
The darling of  
dining tables  
[www.neoz.com](http://www.neoz.com)

Contact  
20 Tepko Road Terrey Hills  
NSW 2084 Australia  
Tel +61 2 9810 5520  
Fax +61 2 9555 1054  
Email [sales@neoz.com.au](mailto:sales@neoz.com.au)

Service  
All parts are replaceable or  
recyclable.  
Technical support available  
at [service@neoz.com.au](mailto:service@neoz.com.au)

NEOZ Warranty  
NEOZ warrants the cordless  
lamp range for 5 years from  
the date of purchase.  
For further information, see  
[www.neoz.com.au/warranty](http://www.neoz.com.au/warranty)



## Manhattan - Technical Specifications

**Designer**  
Gabriel Tam

**Weight**  
Fabric - 0.80 kg  
Glass - 0.85 kg

**Approvals & Standards**  
CE, CSA, C-Tick, FCC, RoHS, SASO

**Year of Design**  
2023

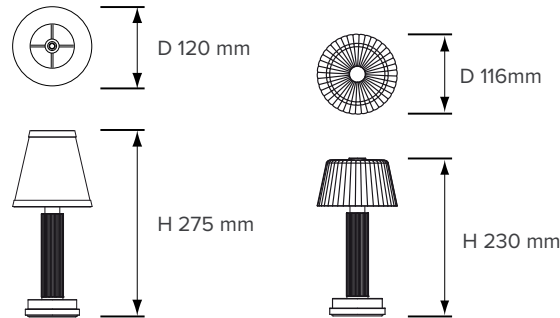
**Dimensions**  
Fabric - 275 mm x 120 mm  
Glass - 230 mm x 116 mm

**EU Energy Regulations**  
Exempt - LED lamps operate on batteries

**Material**  
Solid Forged Brass

**Light Type**  
Side & Downlight

**Ingress Protection Rating**  
Fabric - IP30 - No protection against ingress of liquids  
Glass - IP52 - Protection against water spray



Type	Battery	Cells	Charge Time	Light Source Option	Colour Temperature (Kelvin)	Operating Time (hours)			Brightness (lumens)	CRI*	Bulb Life (Hours)
						Normal mode	High	Med			
UNO	Panasonic Li-ion 3.7V 2900mAh 500+ cycles	1	5.5hrs	1W LED Warm White (Standard)	2600k	13	35	130	68+	95+	50,000+
				1W LED Warm Candle White (Optional)	1800k	13	35	130	58+	93+	50,000+

### COLOUR RENDERING INDEX (CRI)

The quantitative measure of the ability of a light source to reproduce the colors of various objects faithfully in comparison with an ideal or natural light source. The highest possible CRI is 100.

### POWER SOURCE

100 - 240V Switch-Mode Electronic Power Supply  
Approved for worldwide usage supplied with appropriate mains electric plug type

## Recharging Options



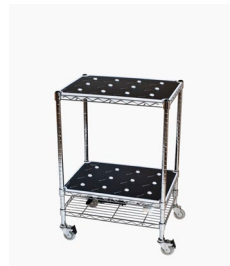
Single Lamp Charger  
**1 Lamp**



Small Recharging Tray  
**4 Lamps**



Large Recharging Tray  
**12 Lamps**



Small Recharging Station  
**24 Lamps**



Medium Recharging Station  
**36 Lamps**



Large Recharging Station  
**48 Lamps**