

NEOZ

ELIZABETH

CORDLESS TABLE LAMP



DESIGNED & ASSEMBLED
IN AUSTRALIA



5 YEARS
WARRANTY



95+ CRI
LED



ALL PARTS
REPLACEABLE



INTERNATIONAL
DELIVERY



Natural
Forged Brass with
Cotton Cone



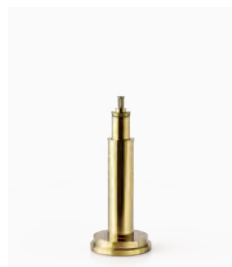
Natural
Forged Brass with
Cotton Drum



Natural
Forged Brass with
Pleated Silk Cone



Natural
Forged Brass with
Pleated Silk Drum



Natural
Forged Brass
No Shade



Natural
Aged Brass with
Cotton Cone



Natural
Aged Brass with
Cotton Drum



Natural
Aged Brass with
Pleated Silk Cone



Natural
Aged Brass with
Pleated Silk Drum



Natural
Aged Brass
No Shade

NEOZ

Bringing together -
Food, People, Places.
www.neoz.com

Contact

20 Tepko Road Terrey Hills
NSW 2084 Australia
Tel +61 2 9810 5520
Fax +61 2 9555 1054
Email sales@neoz.com.au

Service

All parts are replaceable or
recyclable.
Technical support available at
service@neoz.com.au

NEOZ Warranty

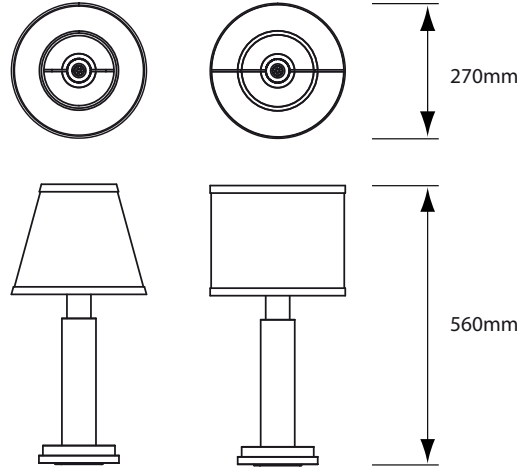
NEOZ warrants the cordless
lamp range for 5 years from
the date of purchase.
For further information, see
www.neoz.com.au/warranty



Elizabeth - Technical Description

Handmade cotton or pleated silk shade on a polished solid brass constructed from forged and extrude components. This cordless lamp provides direct downlight and soft diffused sidelight. Available in natural brass finish or aged brass. Digital 3 step dimming.

| | |
|-----------------------|---|
| Designer | Peter Ellis, Gabriel Tam, James Perry |
| Year of Design | 2022 |
| IP Rating | IP30 |
| Dimensions | 560mm x 270mm (22¼") x (10½") |
| Weight | 2.8 kg / 6.2 lb |
| Approvals & Standards | CE, CSA, C-Tick, FCC, RoHS, SASO |
| EU Energy Regulation | Exempt - LED lamps operate on batteries |



| Type | Battery | Cells | Charge Time | Light Source Option | Colour Temperature (Kelvin) | Operating Time (hours) | | | Brightness (lumens) | CRI* | Bulb Life (Hours) |
|------|--|-------|-------------|---------------------|-----------------------------|------------------------|------|-----|---------------------|------|-------------------|
| | | | | | | Normal mode | High | Med | | | |
| PRO | Panasonic Li-ion 11.1V 5800mAh 500+ cycles | 6 | 8.5hrs | 3W LED Warm White | 2600k | 22 | 39 | 103 | 300+ | 95+ | 50,000+ |

COLOUR RENDERING INDEX (CRI)

The quantitative measure of the ability of a light source to reproduce the colors of various objects faithfully in comparison with an ideal or natural light source. The highest possible CRI is 100.

POWER SOURCE

100 - 240V Switch-Mode Electronic Power Supply
Approved for worldwide usage supplied with appropriate mains electric plug type

Included Charging Accessories



NEOZ

Bringing together -
Food, People, Places.
www.neoz.com

Contact

20 Tepko Road Terrey Hills
NSW 2084 Australia
Tel +61 2 9810 5520
Fax +61 2 9555 1054
Email sales@neoz.com.au

Service

All parts are replaceable or
recyclable.
Technical support available at
service@neoz.com.au

NEOZ Warranty

NEOZ warrants the cordless
lamp range for 5 years from
the date of purchase.
For further information, see
www.neoz.com.au/warranty

