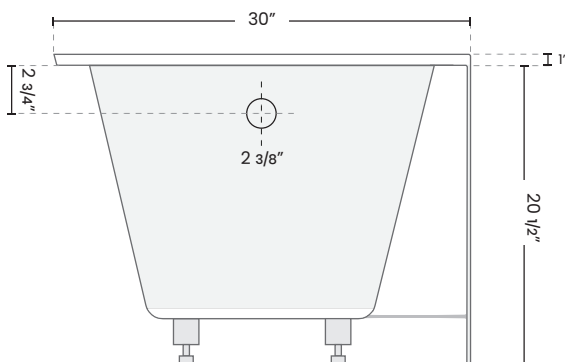
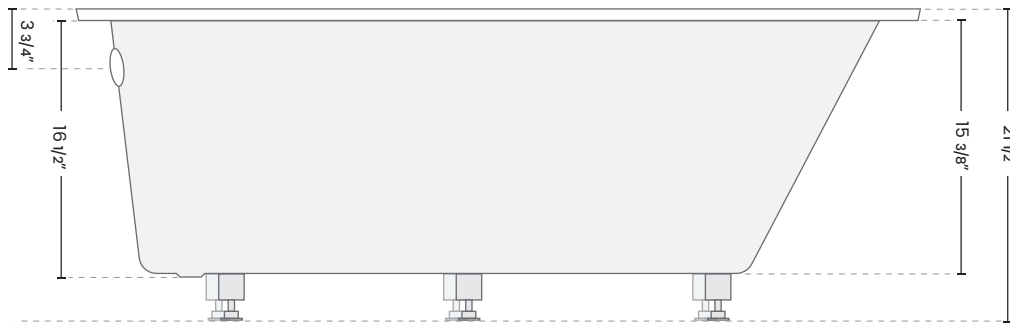
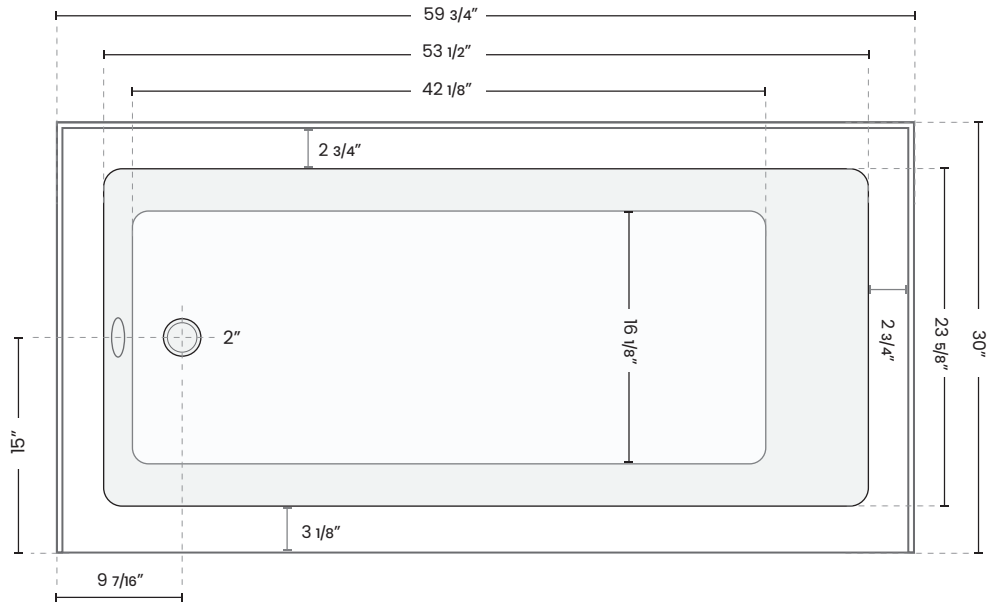
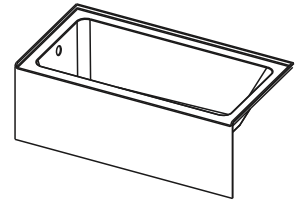


SPECIFICATIONS

Model No. **VBA2114-L**



APRON

BATHTUB

Model No. **VBA2114-L**

SIZE: **60"X30"X20"**

WEIGHT: **63 LBS**

CAPACITY: **47 Gallons**

Note: Dimensions may vary by 1/4", - It is recommended that the actual unit should be measured prior to installation.