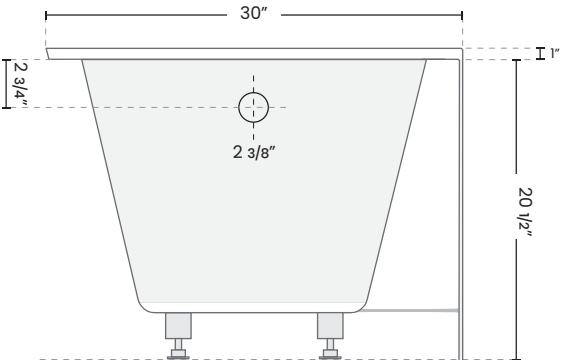
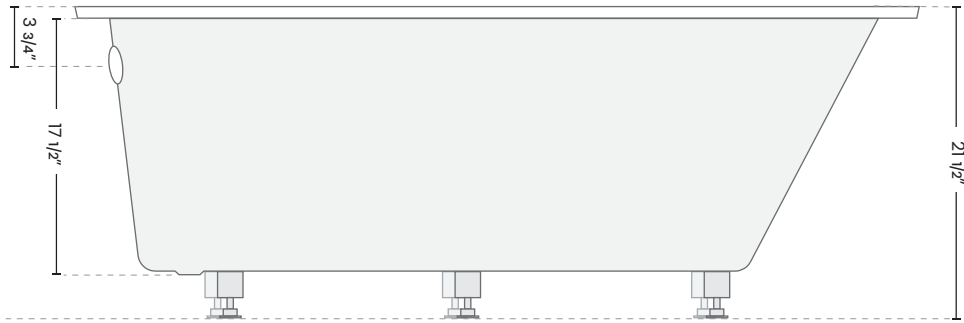
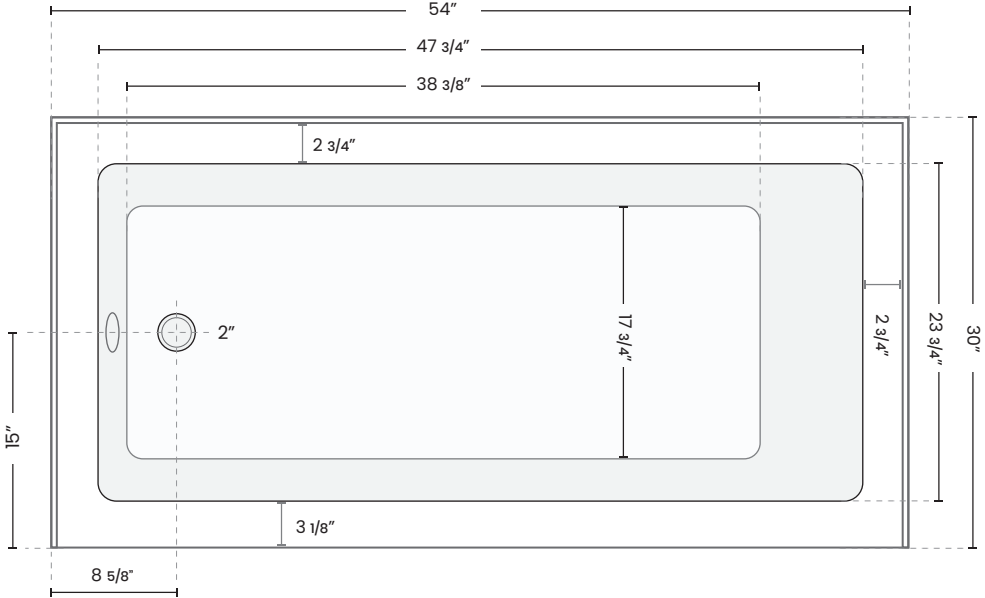
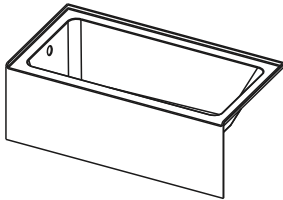


# SPECIFICATIONS

Model No. VBA2112-L



 **vassity**

**APRON**

**BATHTUB**

Model No. VBA2112-L

---

**SIZE:** 54" X 30" X 20"

**WEIGHT:** 53 LBS

**CAPACITY:** 37 Gallons

**Note:** Dimensions may vary by 1/4", - It is recommended that the actual unit should be measured prior to installation.