

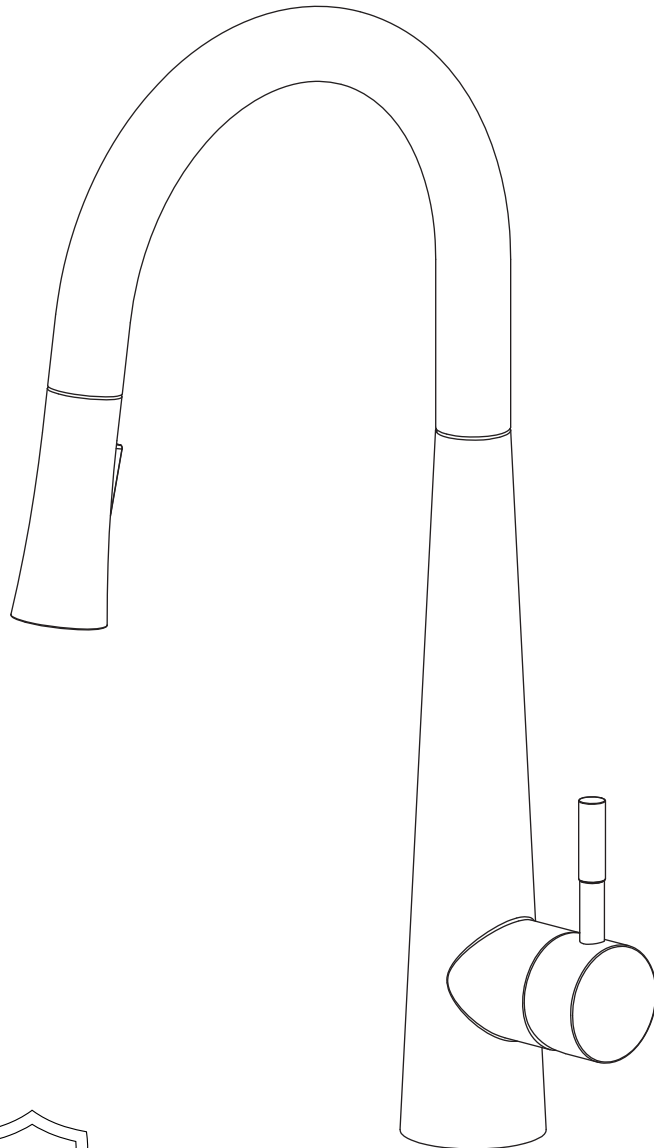


vassity®

Single Hole Pull Down

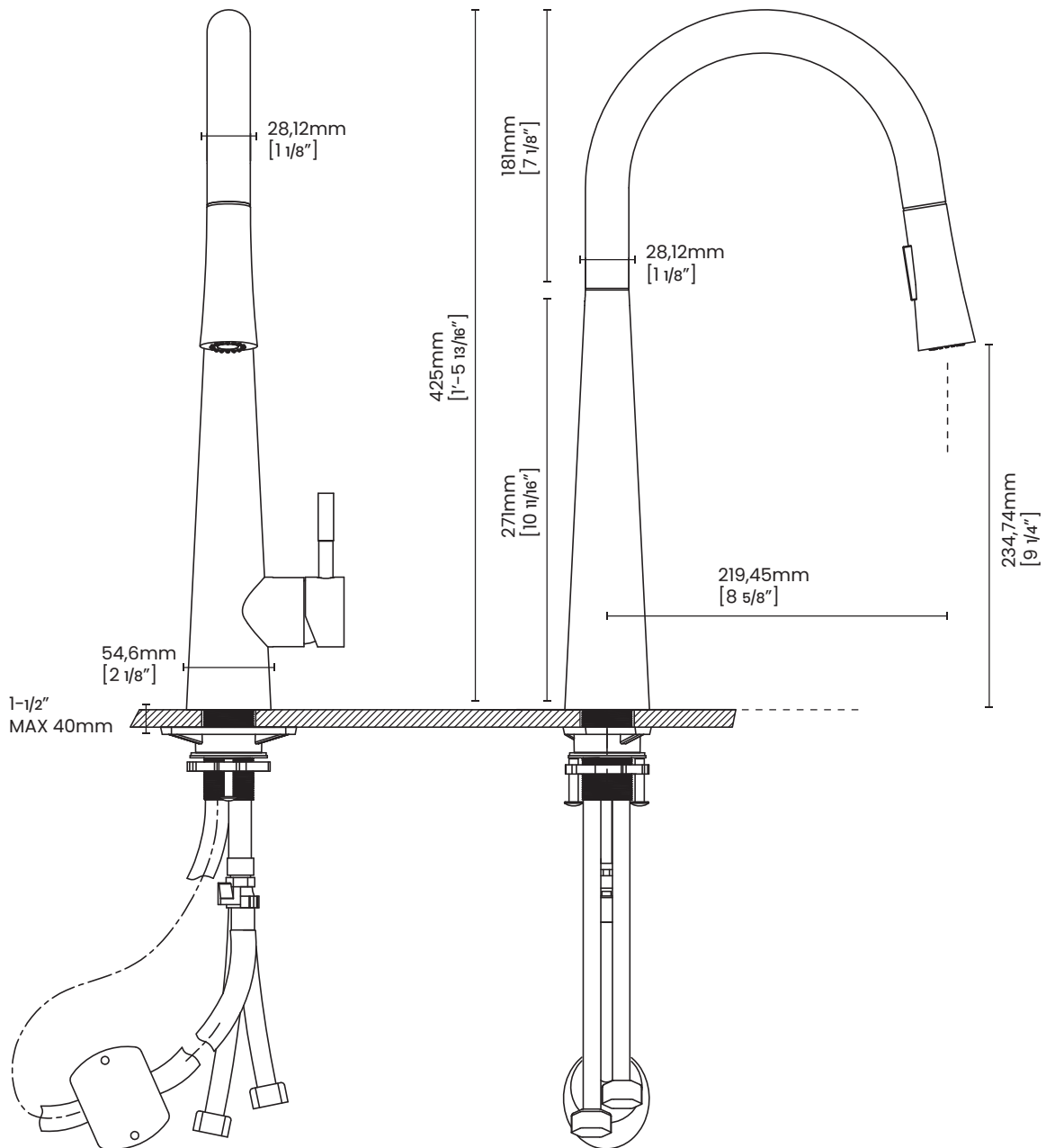
Kitchen Faucet

Model No. VKF6110



Made in China

Specifications:



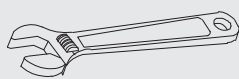
Installation Guide: _____

READ ALL INSTRUCTIONS BEFORE UNPACKING THE PRODUCT!

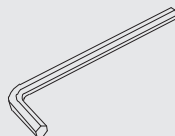
Notes before installation:

1. This faucet is designed to be installed through 1 or 3 holes, 1-3/8" (35mm) min. (Use deck plate for 3-hole installation)
2. Please check that all components are present.
3. All dimensions are nominal. Be sure to measure your faucet before installation.
4. Before installation ensure that all feed lines are clear of debris and the on/off valve is present.
5. Ensure water pressure is between 20-125 PSI (includes a combination of hot and cold feed lines).
6. The step-by-step guidelines in the installation instructions are a general reference. If you are having difficulties please contact a professional plumber.
7. Be sure to use proper tools and always wear proper personal safety accessories for your protection.
8. To clean the faucet, wipe it down with a damp cloth and then with a dry towel. DO NOT use abrasive cleaners, steel wool, or harsh chemicals when cleaning the faucet, or the warranty will be voided.

Tools You Will Need:



1) Adjustable Wrench

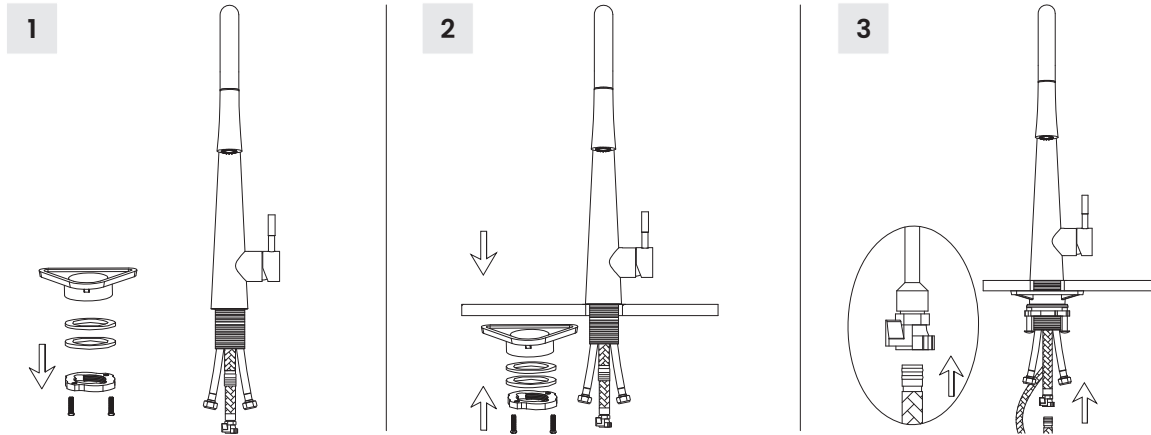


2) Hexagon Wrench

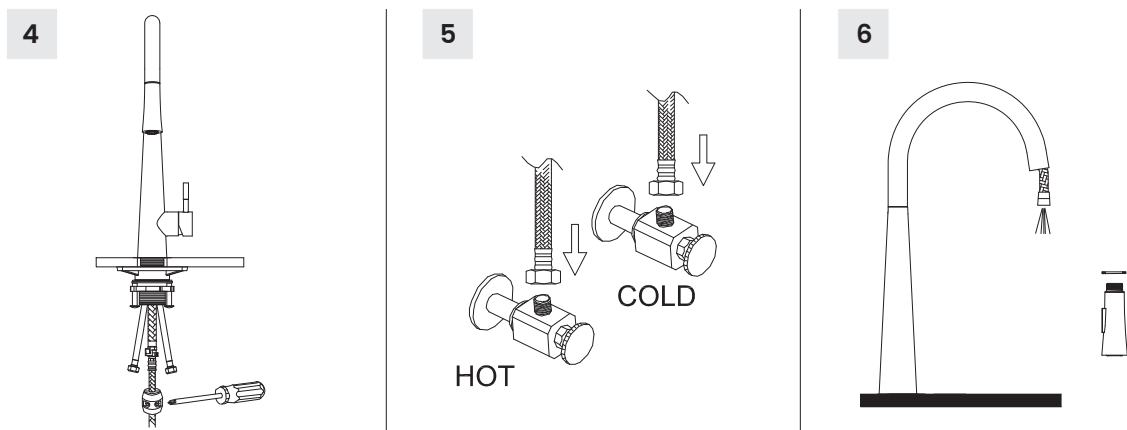


3) Philips Screwdriver

Installation Guide: _____



- 1) Remove locking-nut, metal, rubber, washer, and hose connector if installed on the faucet.
- 2) Install the faucet through the (1-3/8" or (35mm) center hole, re-install rubber and metal washer followed by the lock-nut. Re-install the hose connector if removed ensuring small rubber washer is also installed. Using a screwdriver tighten the lock-nut screws so that the faucet is secure and will not twist.
- 3) Push the pull-out hose into the hose connector until you hear a click sound.



- 4) Proper installation of the hose weight kit will ensure that the spray head retracts smoothly. On the spray side of the hose, measure 15" down from the body of the faucet. Install the hose weight kit at this point. Pull out on the spray head. It should move easily and retract smoothly. Reposition the hose weight kit as necessary.
- 5) Attach the flexible hose to the water supply.
- 6) Hold on to the spray-head hose, unscrew the spray head and remove it along with the rubber washer. Turn on the faucet to flush the hose and feed line for 1 minute to flush debris. Turn off the faucet and re-install the rubber washer and spray head.