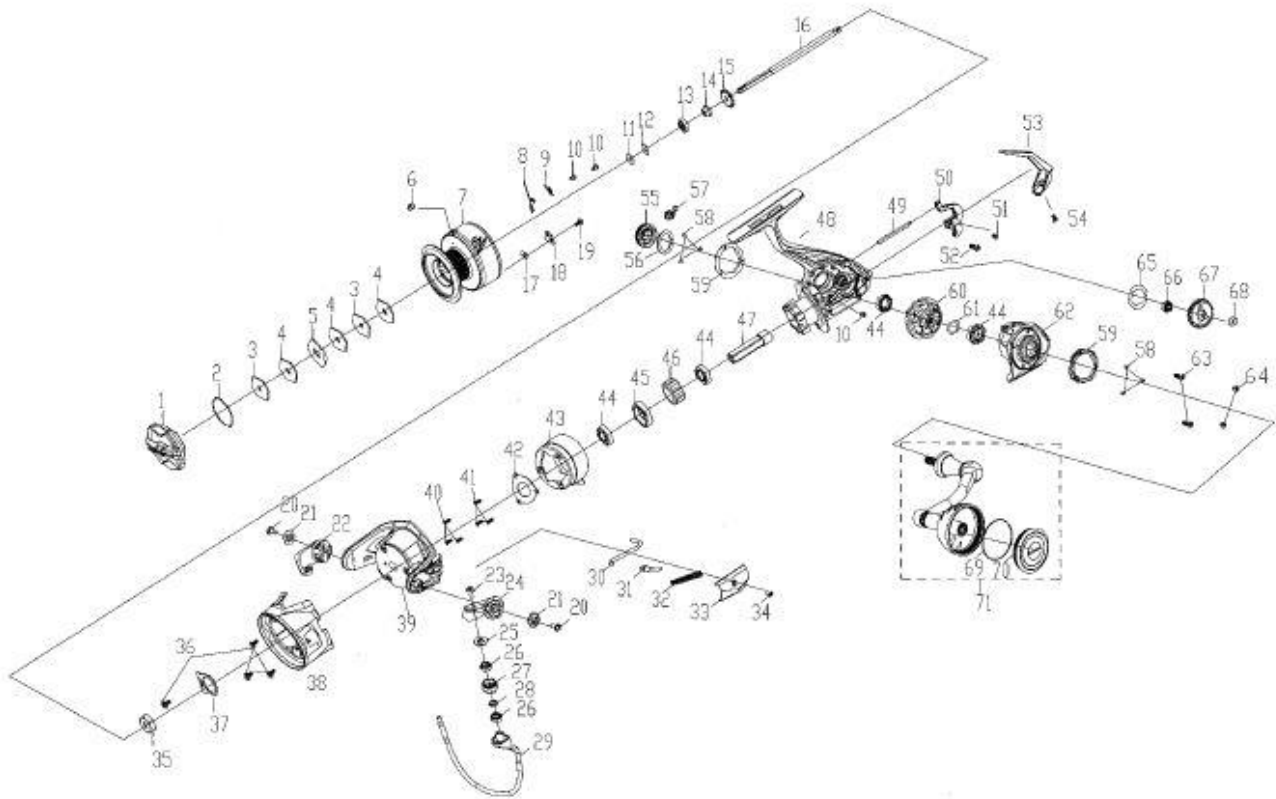


## REEL DIAGRAM OF ALVEY ORBITER-OSR160



ITEM	DESCRIPTION	ITEM	DESCRIPTION	ITEM	DESCRIPTION	ITEM	DESCRIPTION
1	DRAG KNOB ASSEMBLY	19	SCREW	37	RETAINER	55	HANDLE CAP
2	WASHER RETAINING RING	20	SCREW	38	ROTOR DECORATE RING	56	RUBBER
3	KEY WASHER	21	SCREW CAP	39	ROTOR	57	LUBE PORT CAP
4	DRAG WASHER	22	BAIL HOLDER	40	SCREW	58	SCREW
5	EARED WASHER	23	SCREW	41	SCREW	59	BODY DECORATION PLATE
6	LINE CLIP	24	BAIL ARM	42	BALL BEARING RETAINER	60	MAIN GEAR
7	SPOOL	25	LINE ROLLER COLLAR	43	BODY HEAD COVER	61	WASHER
8	SPRING	26	BALL BEARING	44	BALL BEARING	62	BODY COVER
9	SPRING	27	LINE ROLLER	45	BALL BEARING HOLDER	63	SCREW
10	SCREW	28	LINE ROLLER WASHER	46	ONE WAY CLUTCH ASSEMBLY	64	SCREW
11	SPOOL ADJUST WASHER	29	BAIL ASSEMBLY	47	PINION GEAR	65	WASHER
12	MAIN SHAFT WASHER	30	KICK LEVER	48	BODY	66	BALL BEARING
13	PINION GEAR BUSHING	31	ARM LEVER SHAFT	49	SLIDER GUIDE BAR	67	OSCILLATION GEAR
14	SPOOL HOLDER	32	COMPRESSING SPRING	50	SLIDER	68	SCREW
15	CLICK WHEEL	33	ARM LEVER CAP	51	SCREW	69	RETAIN RING
16	MAIN SHAFT	34	SCREW	52	SCREW	70	HANDLE KNOB CAP
17	RETAINER PLATE	35	ROTOR NUT	53	REAR COVER	71	HANDLE SET
18	CLICK GEAR	36	SCREW	54	SCREW		