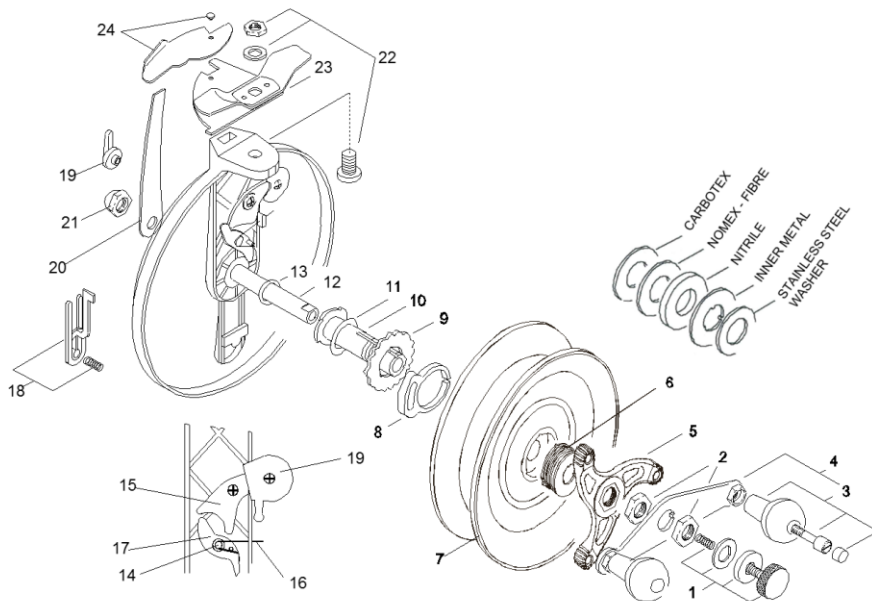




60GC2



Correct assembly for silent drag pawl & cam

Ensure that Drag pawl pin is inside of silent drag cam slot or reel will click when winding.

Spring should be in front of pin for correct operation of the drag.

When assembling spool to reel have drag in OFF position.



Key	Part	Description	Key	Part	Description
1	R6E4	Spindle Screw Set	13	R6J6	Spindle Washer
2	R7F2	Handle-plate Lock Nut	14	R7M4	Drag Pawl Rivet
3	R4F7	Handle Assembly	15	R5K1	Drag Cam
4	R7E23	Handle-plate Assembly	16	R5G3	Drag Pawl Spring
5	R7D11	Drag Tension Tri Star	17	R7J4	Drag Pawl
6	R7B/C24	Drag Washer Set	18	R5E10	Ratchet Assembly
7	R4A-615	Spool Only	19	R7K10	Drag Lever & Activate
8	R7L1	Silent Drag Cam	20	R2G12	Base Lock Spring
9	R5B5	Fish Alert Wheel	21	R6F3	Dome Nut
10	R7H1	Friction Tube Washer	22	R2DEF2	Screw, Washer & Nut
11	R7A3	Friction Tube	23	R2A1	Index Plate Assy
12	R6A12	Spindle	24	R2H1	Lever & Rivet

CONGRATULATIONS and thank you for purchasing one of our Australian made graphite backed reels as your choice of fishing reel. These reels are constructed from the highest quality materials to ensure your reel will last for many years.

Plus, all these other advantages -

Long, accurate casts: Now, with only the minimum of practise you will be able to cast further and more accurately than ever before.

Control large fish with ease: Powerful one-to-one wind means you only need about a quarter of the effort required to lift a similar weight on a spinning reel.

You can fish harder and longer: Simple, rugged construction means you can forget that fiddly maintenance, because your Alvey reel will resist the effects of saltwater and sand.

More comfortable fishing: Low winch-mount rods let you fish with your arms in a relaxed position.

No line twist: Use a small free-running swivel as the last piece in any rig and you'll minimise any line twist. (See illustrations inside)

Special Features

- Graphite Back
- Side Cast
- On/Off Drag Switch
- Power Handles
- Line Guide
- Carbotex Drag



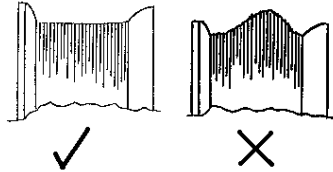
Alvey 10 Year Guarantee: Any faulty Alvey part or reel will be replaced at no charge providing the manufacturer finds the part or reel has had normal usage and attention.

Reel Icon Pty Ltd Trading as
Alvey Reels Australia ABN 57 625 261 707
2-6 Antimony Street Carole Park Qld 4300
t: +61 7 3271 2844 f: +61 7 3271 2451

For more hints and tips on maintenance, please visit the **spare parts** page at www.alvey.com.au
e: info@alvey.com.au
#alveyreels

Recommended Line Size

Your 60GC2 model reel will hold approximately 500 metres of 15 kg line. If fishing near rocks or other hazards use heavier line to help avoid line breakage.



Filling the Spool with Line

Always take the line from the front of the dispenser, never the side. Wind firmly and evenly onto the spool, spreading the line with your fingers to give a smooth casting base.

Never stretch a nylon monofilament onto a spool; when it goes back to its original length it will exert strong enough crushing action to damage your spool.

Never allow loose coils to develop on your spool through careless uneven winding.

Adopt the habit of applying light finger tension when retrieving line and spread evenly over its bed.

Selecting a Rod

Your rod and reel outfit should be balanced so you can hold it comfortably over long periods. A matched set, which has a point of balance where it's held in the left hand, will give you the most comfortable posture. The ideal rod for this reel should be 1.6 to 2.5m in length.

The use of a short butt brings the reel into a natural position for rewinding with your elbows at your side and without strain.

The ideal rod for your new reel is the Alvey Deep Sea R82. Made from solid glass and quality fittings to withstand the harsh treatment dealt out by large, hard hitting reef fish.

Deep Water Angling

The successful methods and rigs used in ocean and bay fishing differ very greatly in each area studied. Consequently there can be no hard and fast instructional rigs shown. There is no substitute for obtaining knowledge from someone who has regular good results in the locality. We can assure you that your introduction to rod and reel in this type of fishing will bring you more proficient angling and greater enjoyment from each fish caught.

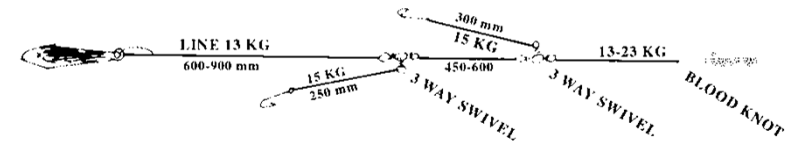
The size of your catch will always depend to a large degree on the knowledge and ability of the helmsman to correctly position the boat on good feeding grounds, some of which are not easily located in ocean waters. However, there are some features which have been found to be advantageous in many areas and we list a few of your guidance. Before selecting a position on the boat, assuming it is a large charter vessel, enquire whether the fishing will be done while anchored or drifting.

When lying at anchor the prime position is undoubtedly at the stern, yet when drift fishing you will be better placed in the centre side of the boat. Reef fishing causes constant fouling of the gear, the customary rig would have the lead weight attached to the extreme end of the rig, with a line of lesser strain than the mainline. This allows the weight to break free without large loss of line. The hooks can be joined to the mainline with a blood loop dropped knot, or double overhand loop knot, but we prefer to advise the use of three-way swivels which are as small as practicable.

Rigs & Swivels

When used properly a brass swivel is a very inexpensive and efficient way to keep a fishing line in good condition. Curls and twists in a line can be caused by many things, but can be kept to a minimum by the correct use of a swivel

RIG FOR SNAPPER AND REEF FISH



60GC2



The star drag is easily adjusted while fighting the fish and the unique style of the Alvey reel allows extra drag pressure to be applied directly to the spool by using the palm of your hand against the bottom of the reel.

Non-Reversing Drag Models

The non-reverse series of reels allows line to be released under a pre-set pressure while the reel handle remains in a stationary position. The star on the front of the reel allows easy adjustment while playing a fish. The lever on the back of the reel operates the cam activated on/off mechanism that allows you to disengage the non-reverse action when required.

Setting the Drag

Make sure the drag activating lever on the back of the reel is in the 'On' position. Using a small spring balance to pull the line off the reel. Set the tension of the drag to be approximately one third of the breaking strain of your line by rotating the star drag tensioner on the front of the reel. (Clockwise to increase tension.) It is better to have the drag set light as a short sharp run from a large fish could snap the line on an over set drag.

Playing the fish

Once the fish has been hooked always keep a bend in the rod by holding it at an angle to the fish. With the power of an Alvey reel you are in control. Do not rush the fish. Allow the drag to tire the fish. Many times the fish is lost at the side of the boat. Keep a steady tension on your line, a bend in the rod and ease the fish towards a landing net or gaff.

Fish Alert

When leaving the rod and reel unattended, activate the fish alert on the back of the reel. If a fish takes line a warning noise will be heard.

Maintenance

Use light machine oil on working spindles, handles and index mechanism. After each day of fishing wash off salt and sand and lubricate as above before storage.