



45KGCZ



CONGRATULATIONS and thank you for purchasing one of our Australian made easy cast kayak reels as your choice of fishing reel. These reels are constructed from the highest quality materials to ensure your reel will last for many years.

Plus, all these other advantages -

Long, accurate casts: Now, with only the minimum of practise you will be able to cast further and more accurately than ever before.

Control large fish with ease: Powerful one-to-one wind means you only need about a quarter of the effort required to lift a similar weight on a spinning reel.

You can fish harder and longer: Simple, rugged construction means you can forget that fiddly maintenance, because your Alvey reel will resist the effects of saltwater and sand.

Special Features

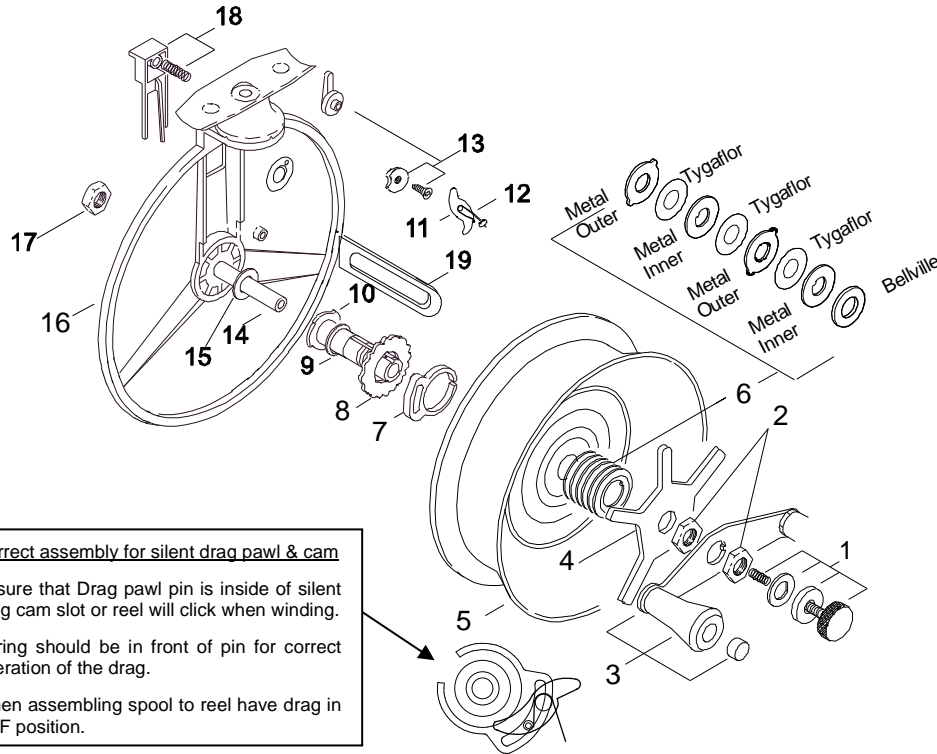
- Star Drag
- Easy Cast Operation
- Belleville Power Washer & Multi-plate Clutch
- On / Off Drag
- Line Guide Clip

More comfortable fishing: Low winch-mount rods let you fish with your arms in a relaxed position.

No line twist: Use a small free-running swivel as the last piece in any rig and you'll minimise any line twist. (See illustrations inside)



Alvey 10 Year Guarantee: Any faulty Alvey part or reel will be replaced at no charge providing the manufacturer finds the part or reel has had normal usage and attention.



Correct assembly for silent drag pawl & cam

Ensure that Drag pawl pin is inside of silent drag cam slot or reel will click when winding.

Spring should be in front of pin for correct operation of the drag.

When assembling spool to reel have drag in OFF position.

Key	Part	Description	Key	Part	Description
1	R6E2	Spindle Screw Set	11	R7J9	Pawl
2	R7E3	Handle Plate Assy	12	R5G3	Drag Pawl Spring
3	R7F1	Handle Plate Lock Nut	13	R7K9	Drag Knob Assy
4	R7D3	Star Drag Nut	14	R6A22	Spindle
5	R4A	Spool Only	15	R6J7	Spindle Washer
6	R7B/C3	Drag Washer Set	16	R1A	Reel without Spool
7	R7L3	Silent Drag Cam	17	R6F1	Spindle Hex Nut
8	R5B6	Fish Alert Wheel	18	R5E9	Fish Alert Button
9	R7H4	Friction Tube Washer	19	LGIK	Line Guide
10	R7A2	Drag Friction Tube			

Special Note: The 45KGCZ cannot be converted from right hand wind to left hand wind. A left-hand wind version is available.

Reel Icon Pty Ltd Trading as
Alvey Reels Australia ABN 57 625 261 707
2-6 Antimony Street Carole Park Qld 4300
t: +61 7 3271 2844 f: +61 7 3271 2451

For more hints and tips on maintenance, please visit the **spare parts** page at www.alvey.com.au
e: info@alvey.com.au
#alveyreels

Recommended Line Size

Your 45KGCZ reel will hold approximately 500 metres of 5 kg line. If fishing near rocks or other hazards use heavier line to help avoid line breakage.

Filling the Spool with Line

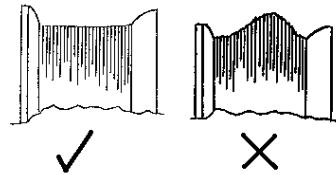
Always take the line from the front of the dispenser, never the side.

Wind firmly and evenly onto the spool, spreading the line with your fingers to give a smooth casting base.

Never stretch a nylon monofilament onto a spool; when it goes back to its original length it will exert strong enough crushing action to damage your spool.

Never allow loose coils to develop on your spool through careless uneven winding.

Adopt the habit of applying light finger tension when retrieving line and spread evenly over its bed.



Selecting a Rod

Your rod and reel outfit should be balanced so you can hold it comfortably over long periods. A matched set, which has a point of balance where it's held in the left hand, will give you the most comfortable posture. The ideal rod for this reel should be 2.0 to 2.5m in length.

The use of a short butt brings the reel into a natural position for rewinding with your elbows at your side and without strain.

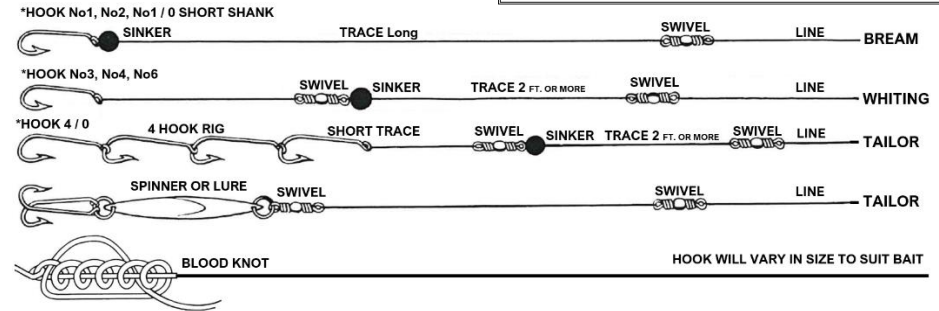
Rigs & Swivels

When used properly a brass swivel is a very inexpensive and efficient way to keep a fishing line in good condition. Curls and twists in a line can be caused by many things, but can be kept to a minimum by the correct use of a swivel.

Swivel Sizes

Line breaking strain	Swivel size
1 – 5 kg	No 14
5 – 8 kg	No 12
8 – 15 kg	No 10
15 – 20 kg	No 9

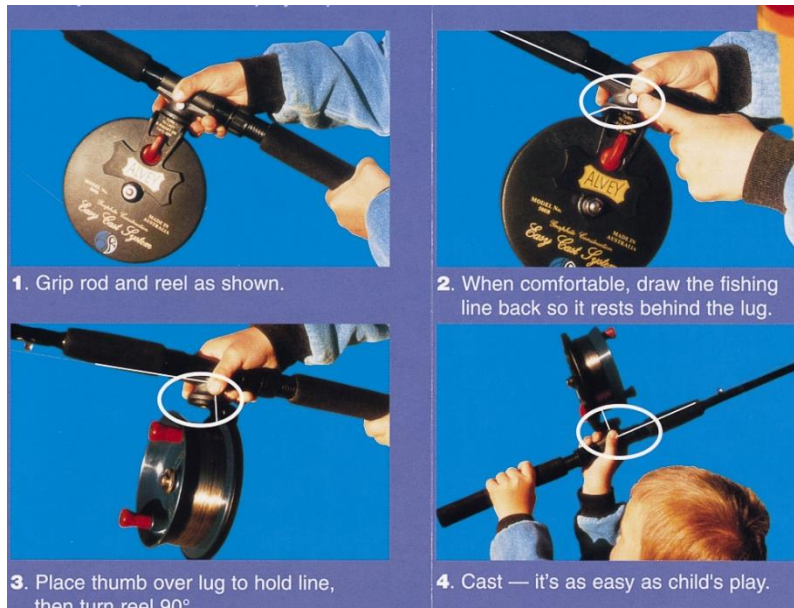
Swivel must be above sinker



45KGCZ



Four easy steps to casting like a champion



Non-Reversing Drag Models

The non-reverse series of reels allows line to be released under a pre-set pressure while the reel handle remains in a stationary position. The BC models incorporate the new *Belleville Power Washer* that improves the range of tension settings available through the star drag system. The position of the star on the front of the reel allows easy adjustment while playing a fish.

The small lever on the back of the reel operates the on/off mechanism that allows you to disengage the non-reverse action when required.

Playing the fish

Once the fish has been hooked always keep a bend in the rod by holding it at an angle to the fish. With the power of an Alvey reel you are in control. Do not rush the fish. Allow the fish to tire by keeping a steady pressure on the spool. Many times the fish is lost in the shore break. Keep a steady tension on your line, a bend in the rod and ease the fish ashore.

Setting the Drag

Make sure the drag activating lever on the back of the reel is in the 'On' position. Using a small spring balance pull the line off the reel. Set the tension of the drag to be approximately one third of the breaking strain of your line by rotating the star on the front of the reel. (Clockwise to increase tension.)

It is better to have the drag set light as a short sharp run from a large fish could snap the line on an over set drag.

The tension is easily adjusted while fighting the fish and the unique style of the Alvey reel allows extra drag pressure to be applied directly to the spool by using the palm of your hand against the bottom of the reel.

Maintenance

After each day of fishing wash off the salt and sand. Use a light machine oil on working spindles, handle, index mechanism and drag pawl. Lubricate as above before storage.