



Tailgate Ladder

For online video instructions on how to install The Tailgate Ladder visit the Tailgate Ladder product page at www.traxionproducts.com.

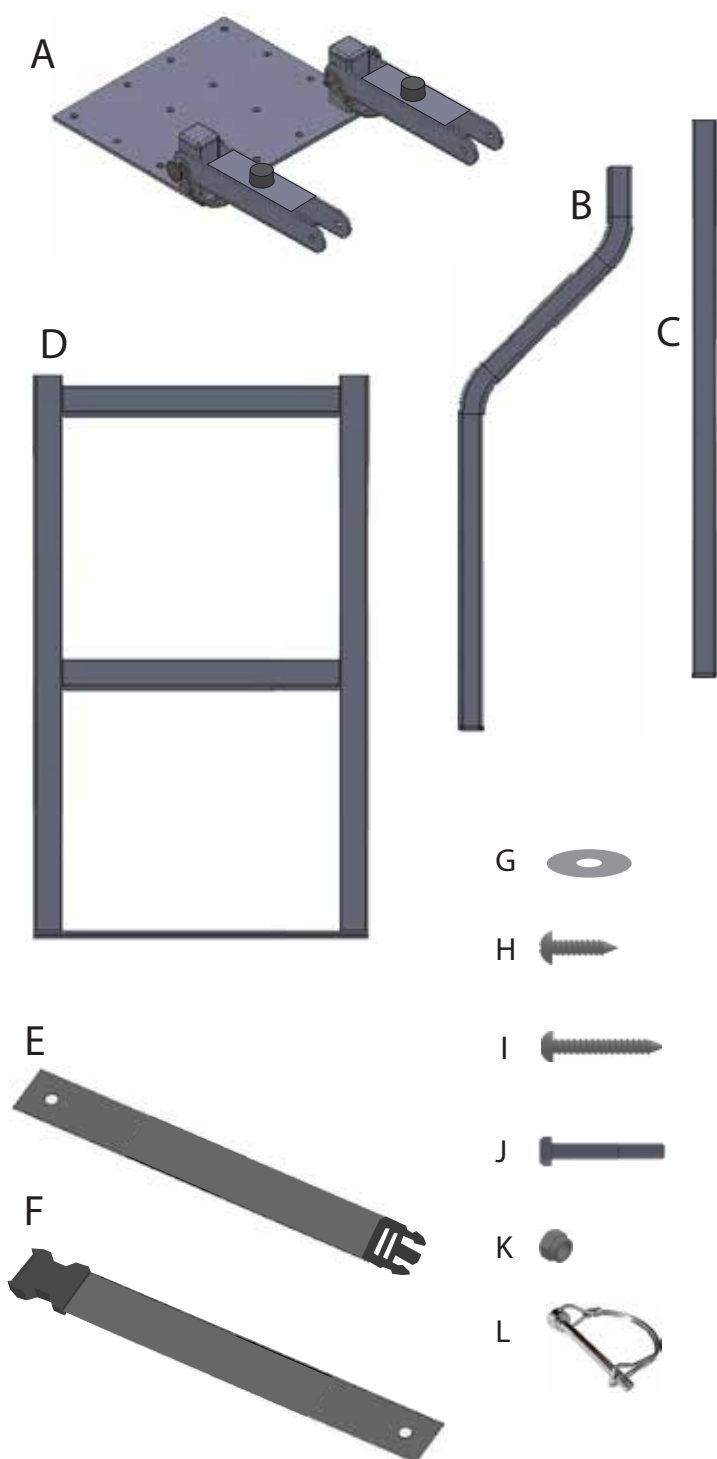
Or search for "tailgate ladder instructions" at www.youtube.com

Thank you for purchasing this Tailgate Ladder. If you have any questions or comments please visit our website at www.traxionproducts.com or phone 479-474-3460.

This is a Patented Product
7401798

Instructions 5-100v7 140104

Tailgate Ladder Parts



Tools Required:

- Drill
- #5 (9/64") Drill Bit
- #2 Phillips Head Screw Driver
- Marking Pen / Center Punch
- 1/2" or 13mm wrench (with second wrench or Crescent wrench)

Tailgate Ladder Parts List:

- A. (qty 1) Mounting Plate with Rocker Arms and NEW rubber bumpers
- B. (qty 1) Offset Tube
- C. (qty 1) Straight Tube
- D. (qty 1) Climbing Section
- E. (qty 1) Tie Down Strap with Male Clasp
- F. (qty 1) Tie Down Strap with Female Clasp
- G. (qty 2) 6mm Fender Washers
- H. (qty 9) 3.5mm x 20mm Sheet Metal Screws
- I. (qty 9) 3.5mm x 45mm Sheet Metal Screws
- J. (qty 4) 4mm x 35mm Hex-head Bolts
- K. (qty 4) 4mm Lock Nut
- L. (qty 2) Lock Pin

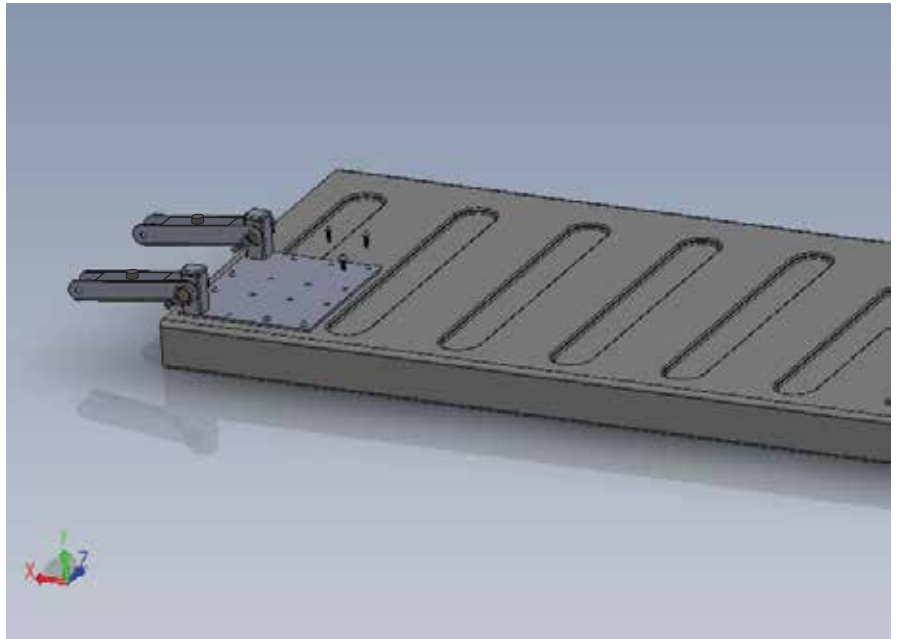
Assembly Instructions

Have truck on level surface when installing the Tailgate Ladder.

1 Attach Mounting Plate

Position mounting plate (A) on preferred side of the tailgate, with the studs with rocker arm channels toward the side edge of the tailgate.

Mount at least 1" from the top of the tailgate and at least 1/2" from the side edge, depending on truck model, so the ladder will clear when tailgate is closed.



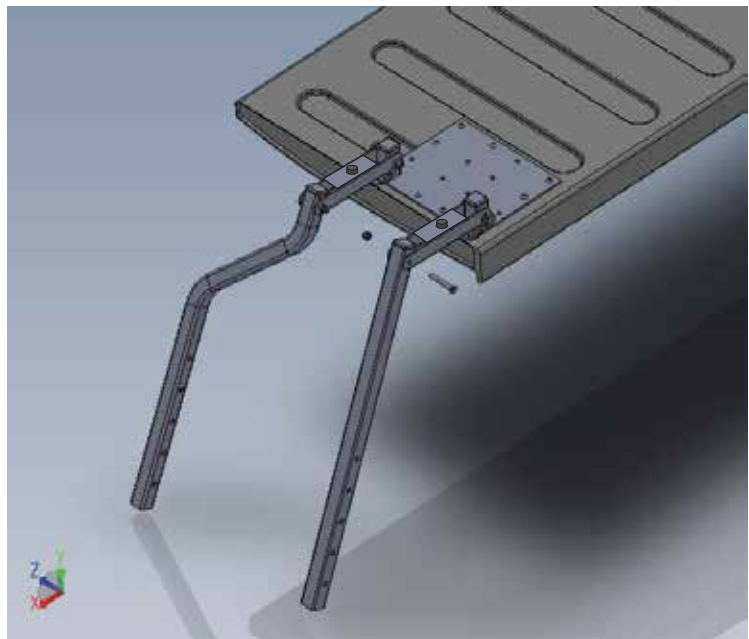
NOTE: Only half of the holes in the mounting plate will be used. Based on model of truck/tailgate the screw hole locations will vary. Optimum screw locations are the front and back sides of mounting plate - instead of the interior holes.

Drill six holes in optimal locations using #5 (9/64") Drill Bit.

Use 6 of the 20mm Sheet Metal Screws (H) for tailgates without liner or with sprayed on liners. Use 6 of the 45mm Sheet Metal Screws (I) for tailgates with drop-in bed liners. Screw Mounting Plate to tailgate.

2 Attaching Side Tubes

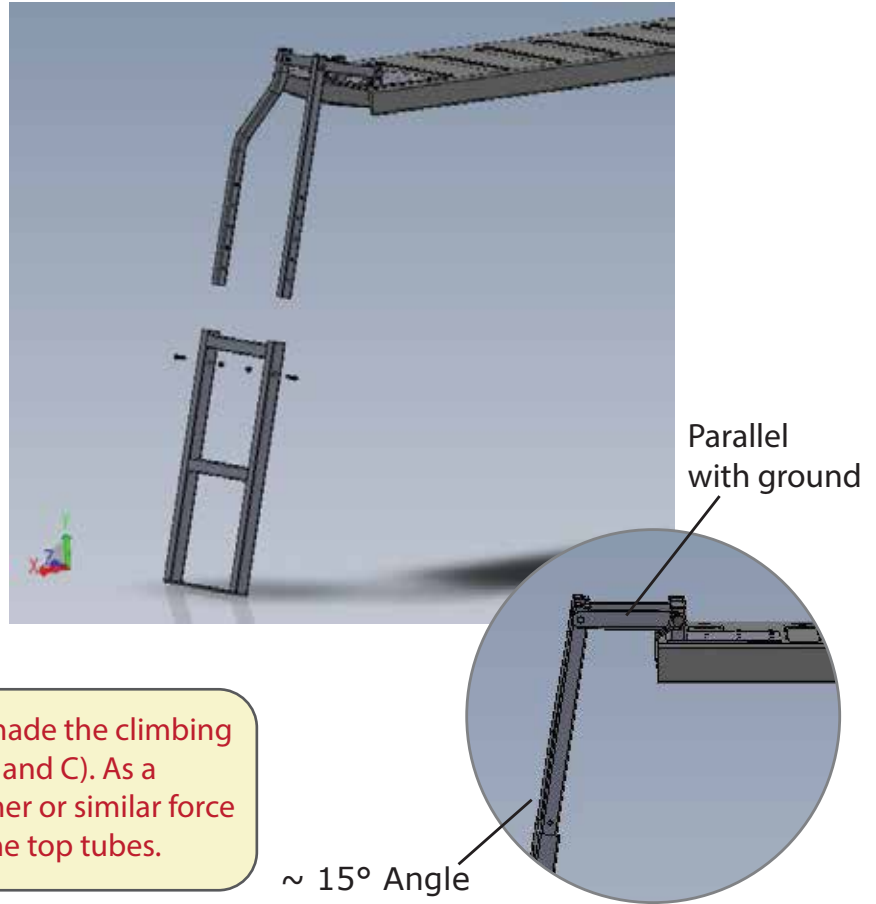
Attach Side Tubes parts B and C onto Rocker Arm channels. Set Offset Tube (B) into the rocker arm channel closest to the cab of the pickup and set Straight Tube (C) into the rocker arm channel away from the cab. Attach both tubes with 4 x 35mm Hex-head Bolt (I) and 4mm Lock Nut (K).



3 Attach Climbing Section

Move Rocker Arms and Tubes to the "in use" position (tubes pointed towards ground). Attach Climbing Section with Safety Label right side up and facing away from Truck by sliding the two tubes into the tubing of the Climbing Section.

Adjust until ladder is approximately 15 degrees to vertical and the rocker linkage is approximately parallel to the ground as shown below. Locate the holes underneath the top rung and secure the length on each side rail with 4 x 35mm Hex-Head Bolts (J).



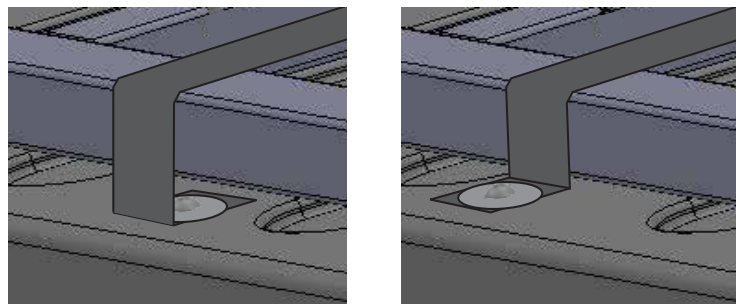
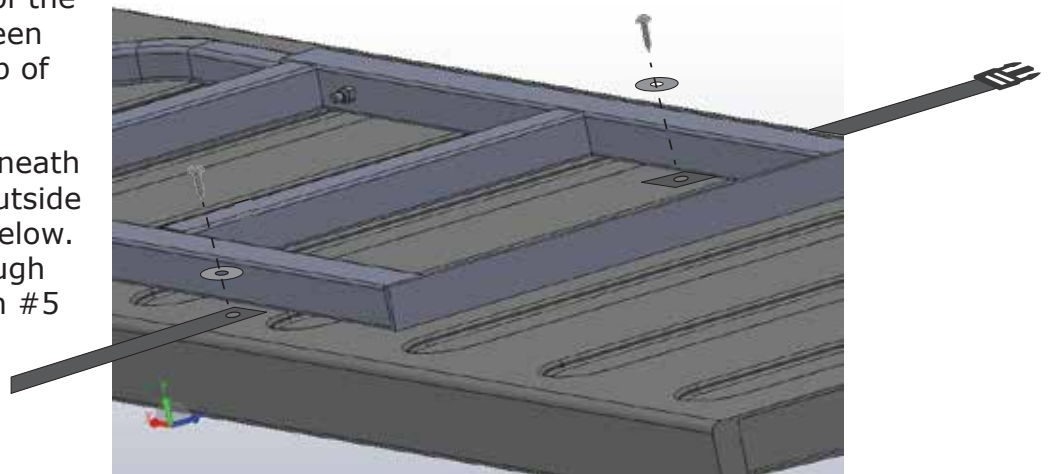
To reduce rattle and resulting noise we made the climbing section (D) fit tighter on the top tubes (B and C). As a result it may be necessary to use a hammer or similar force to assemble the climbing section onto the top tubes.

4 Attach Tie Down Strap

Lay assembled ladder across tailgate. Locate best placement of the male and female straps between bottom flat steel and first step of the stored ladder.

Straps may be secured underneath the stowed ladder or to the outside as shown in smaller images below. Mark desired screw spot through strap hole. Drill pilot hole with #5 (9/64") bit.

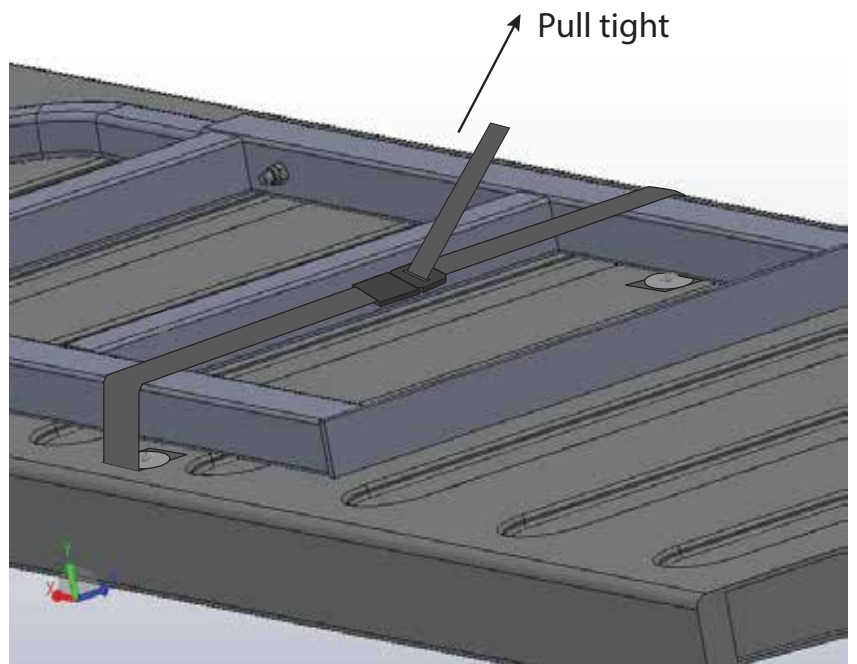
Secure the straps to the tailgate with 20mm Sheet Metal Screws (H) if there is no liner or 45mm Sheet Metal Screws (I) if there is a liner. Align drilled hole in tailgate with strap hole. Put screw through washer and hole in the strap as shown. Tighten until snug. Do not overtighten.



Secure straps in either direction as needed with your specific tailgate.

5 Strap Down

To secure the Tailgate Ladder lengthen the strap through the male snap clip. Snap the male into the female snap clip. Pull the excess strap in the male clip to tighten the ladder to the tailgate.



You're Done!

And now your truck is much more accessible.

See more great products at www.traxionproducts.com

Search traxion products on  and .