

# TOPSIDE CREEPER<sup>®</sup> **NXT**

patent pending

GEN 3



next generation ergonomic engine compartment access

Thank you for your purchase from TraXion Engineered Products.

The Topside Creeper NXT is the next generation of our Topside Creeper. It has been updated with 30% more access around the engine compartment, a new folding design that is 50% more compact and less than half the assembly time.

TraXion is proud to provide world class customer service to our most valued asset - our customers. If you have any issues with assembly or the function of the NXT please call us at

**479-474-3460**















You can also check out video instructions or contact us at

**[www.traxionproducts.com](http://www.traxionproducts.com)**

**TRAXION**  
engineered products

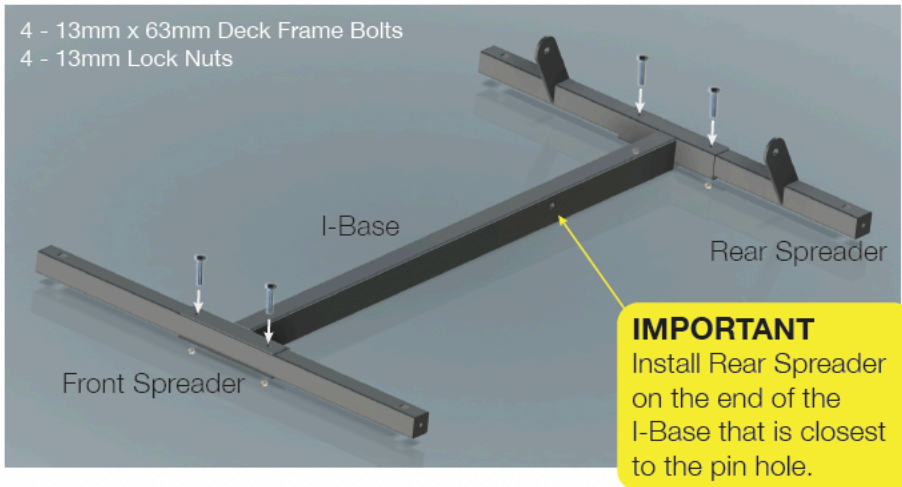
# Parts List



Hardware		Quantity
	Front Caster	2
	Rear Locking Caster	2
	Utility Bag Bolt 10mm x 16mm	2
	Deck Frame Bolt 13mm x 16mm	2
	Ladder Brace Bolt 13mm x 40mm	2
	I-Base Bolt 13mm x 63mm	4
	Ladder Bolt 19mm x 32mm	2
	Padded Deck Screw 10mm x 19mm	2
	Ladder Lock Nut 19mm	2
	Caster Lock Nut 18mm	4
	Lock Nut 13mm	8
	Utility Bag Lock Nut 10mm	2
	Ladder Bolt Washer	2
	Delta Brace Locking Pin	1

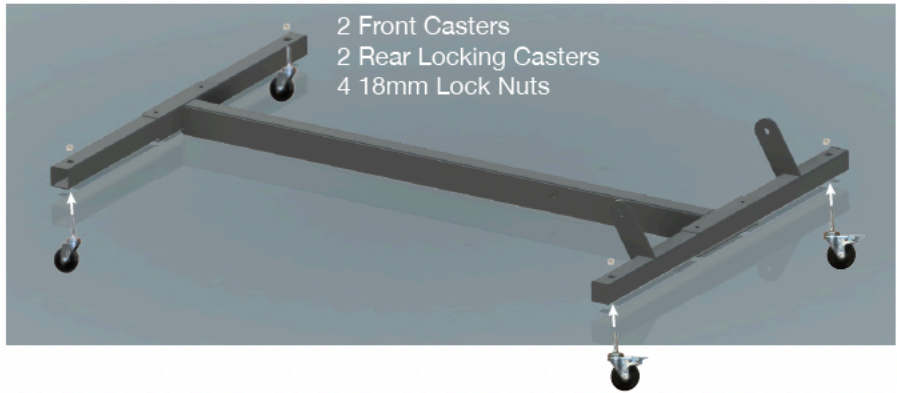
**STEP 1**

Attach the Front Spreader and the Rear Spreader to the I-Base as shown below.



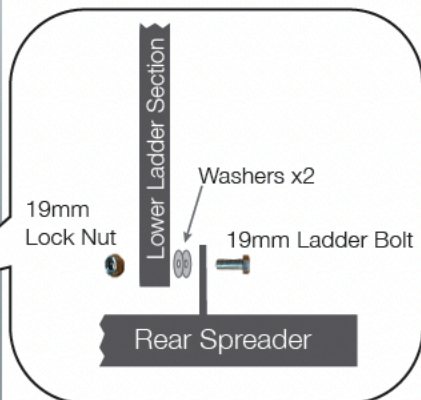
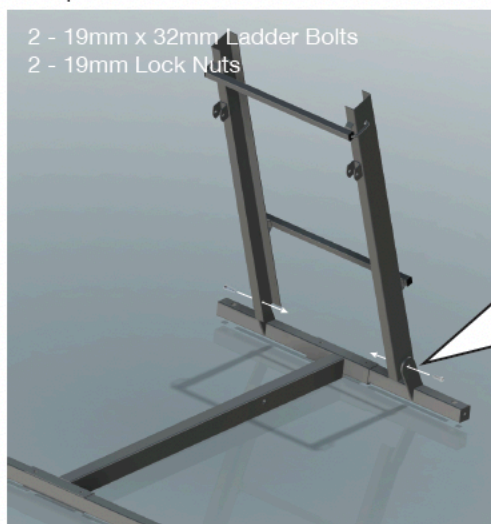
**STEP 2**

Install the two Rear Locking Casters to the Rear Spreader. Install the two Front Non-Locking Casters to the Front Spreader using Lock Nuts.



### STEP 3

Install the Lower Ladder Section to the Rear Spreader. Ladder goes inside the two tabs on the spreader. Use 2 washers between the spreader tabs and the ladder.



Repeat on other side

### STEP 4

Install the Ladder Brace onto the two brackets on the Lower Ladder Section as shown. Pin the Ladder Brace to the I-Base using the Locking Pin.



#### IMPORTANT

NEVER ever use a Topside Creeper without the pin locked into place!



**DANGER**

**STEP 5**

Pull out and rotate the height adjustment pins on the Lower Ladder Section to unblock the ladder channel. Slide the Upper Ladder Section into the channel of the Lower Ladder Section.

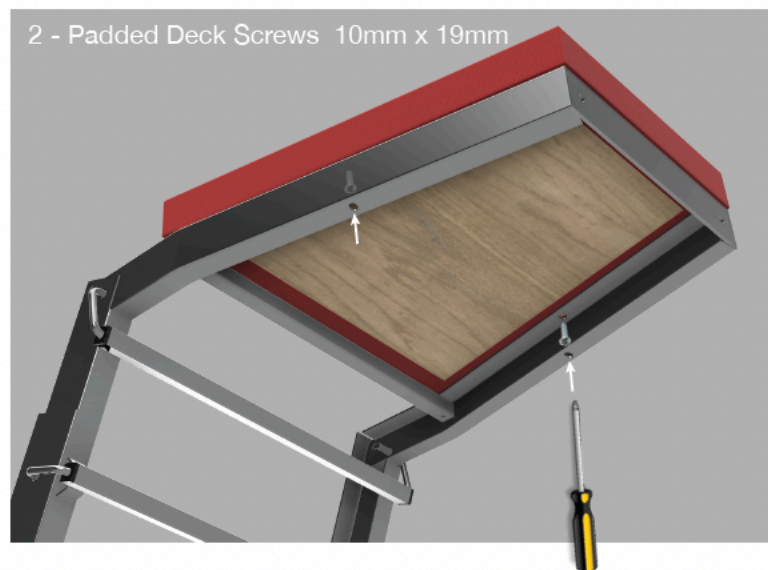
**STEP 6**

Pull out and rotate the Deck locking spring pins on the Deck Frame. Install the deck frame to the Upper Ladder Section as shown.



**STEP 7**

Install the Padded Deck onto the Deck Frame using two Padded Deck Screws as shown.

**STEP 8**

Install the Utility Bag onto the front of the Deck Frame as shown .

