

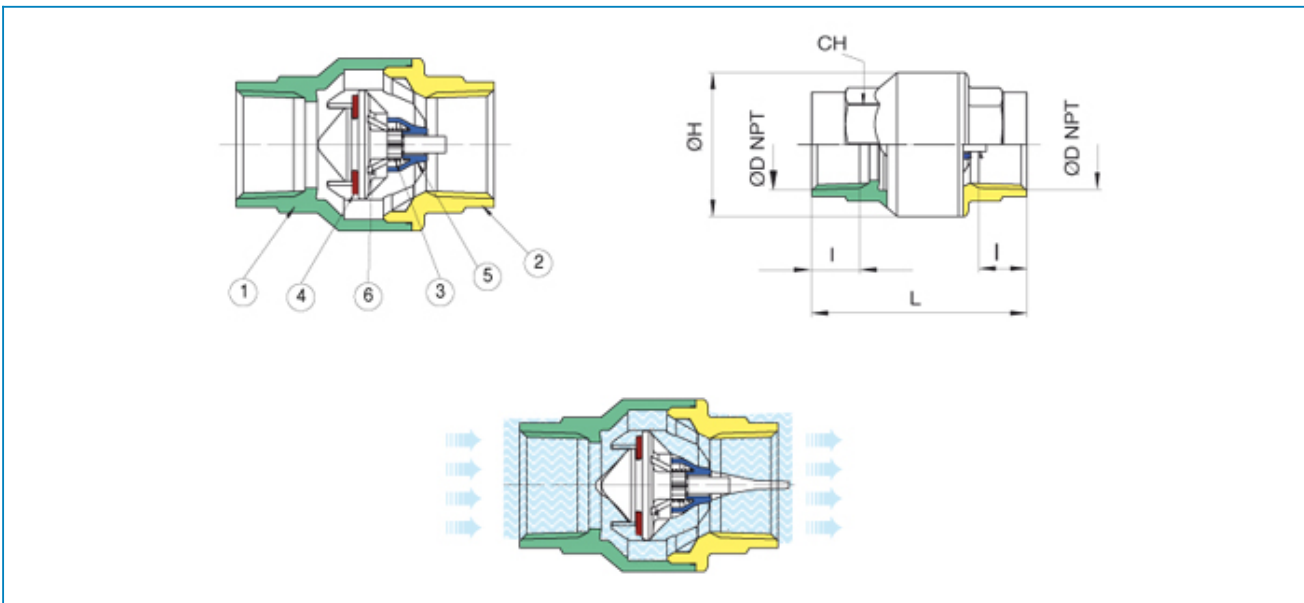
NEW



Serie IN-LINE CHECK VALVE

Articolo 100012 LF

- High capacity, size 1/2" up to 4" 400 WOG.
- Soft seat for bubble tight shutoff, spring loaded for fast seating action.
 - Low cracking pressure 1/2 psi.
 - Flow pattern to minimize head loss.
 - Perfect sealing both at high and low pressure wide temperature range: +10°F to 210°F.
 - High technology materials to ensure best resistance in any condition.
 - Patented disc to prevent side loading.
 - Connection: female/female.



* lead free refers to the wetted surface of pipe, fittings and fixtures in potable water systems that have a weighted average lead content= 0,25%. Source: California health & Safety code (116875). Vermont Act 193. * In progress

N Pos	PART NAME	MATERIAL	N PCS
1	BODY	BRASS CW 510L*	1
2	END CONNECTION	BRASS CW 510L*	1
3	SPRING	STAINLESS STEEL AISI 302	1
4	GASKET RING	NBR	1
5	SUPPORT	-	1
6	OBSTRUCTOR	PEI (ULTEM 1000)	1

SIZE ØD	I	L	ØH	CH	psi	CV	Lbs
1/4"*	0.39	1.73	1.06	0.79	4.00	4.55	0.22
3/8"*	0.40	1.73	1.06	0.79	4.00	4.55	0.37
1/2"	0.54	2.22	1.36	0.98	400	6.00	0.32
3/4"	0.55	2.48	1.65	1.22	400	11.00	0.49
1"	0.66	2.85	1.93	1.50	400	16.90	0.68
1"1/4	0.68	3.13	2.40	1.89	400	27.40	1.13
1"1/2	0.68	3.31	2.87	2.13	400	39.10	1.61
2"	0.70	3.62	3.44	2.64	400	60.70	2.28
2"1/2*	0.93	4.37	4.39	3.27	1.75	98.40	4.83
3"*	1.01	4.86	5.24	3.86	1.75	158.00	6.70
4"*	1.09	5.41	6.42	5.04	1.75	225.40	12.43

