



GAST MANUFACTURING, INC.  
 A Unit of IDEX Corporation  
 Post Office Box 97  
 Benton Harbor, Michigan  
 Ph: 269/926-6171  
 Fax: 269/925-8288

PART NUMBER: LTD147

REVISION: F

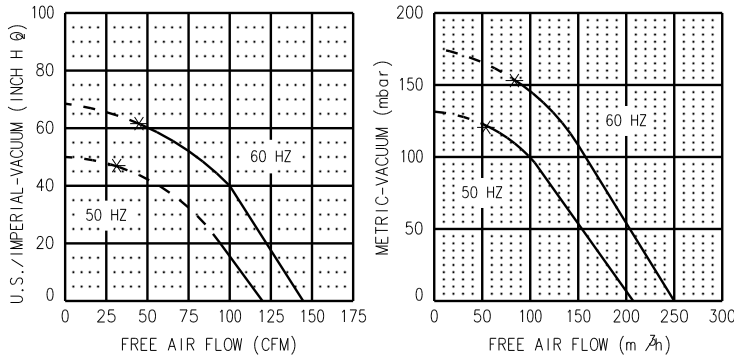
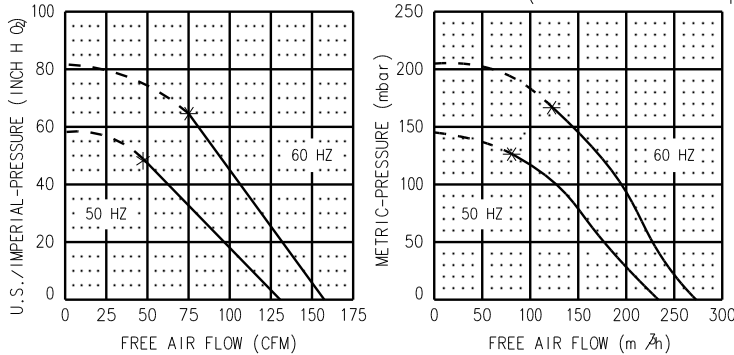
Product Specifications

MODEL NUMBER	MOTOR SPECIFICATIONS	RPM	MAX VAC		MAX PRESS		HP	kW	NET WT.	
			"H <sub>2</sub> O	mbar	"H <sub>2</sub> O	mbar			lbs.	kg
R5325A-2	190-220/380-415-50-3	2850	47	117	50	125	1.85	1.38	65	29,5
	208-230/460-60-3	3450	60	149	65	162	2.5	1,86		

SOUND LEVEL 75/73 dB(A) MAX. 60/50 Hz  
 NORMAL AMBIENT -29 TO 40  
 RELATIVE HUMIDITY 0% - 100% NON CONDENSING  
 ENVIRONMENT CLEAN DUST FREE

- NOTES:  
 1. TECHNICAL DATA SUBJECT TO CHANGE WITHOUT NOTICE.  
 2. \* = RECOMMENDED MAXIMUM DUTY  
 --- INTERMITTENT DUTY ONLY  
 3. WIRING DIAGRAM: SEE MOTOR.

Product Performance (Metric U.S. Imperial)



PERFORMANCE DATA  
 THE PERFORMANCE DATA SHOWN WAS DETERMINED UNDER THE FOLLOWING CONDITIONS:

LINE VOLTAGE 60 Hz. 230V OR 460V FOR 3 PHASE UNITS. 115V OR 230V FOR 1 PHASE UNITS.

LINE VOLTAGE 50 Hz. 220V FOR 3 PHASE OR 1 PHASE UNITS.

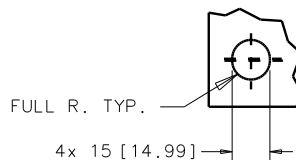
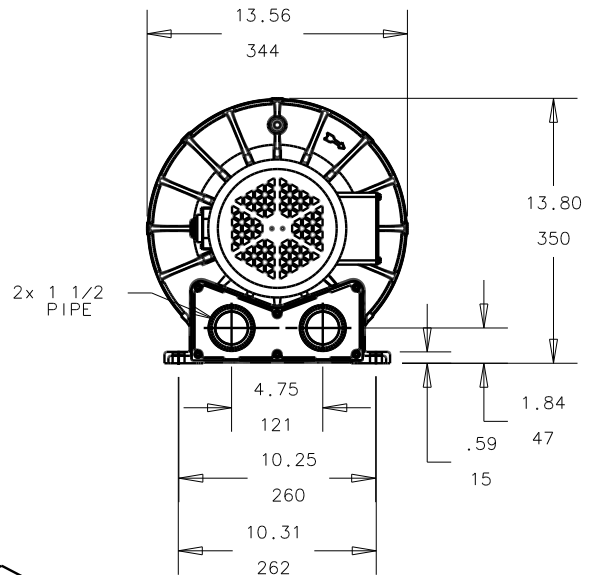
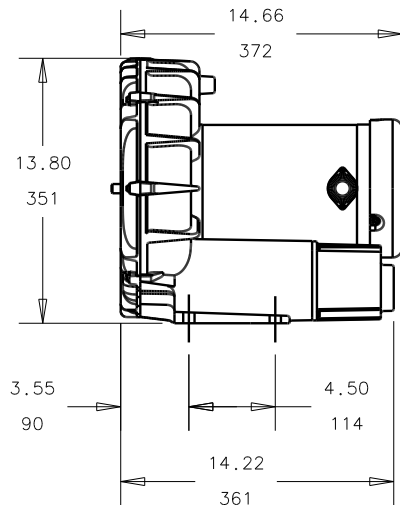
UNITS IN A TEMPERATURE STABLE CONDITION.

DELIVERY MEASUREMENTS MADE WITH OUTPUT PORT THROTTLED.

SUCTION MEASUREMENTS MADE WITH INPUT PORT THROTTLED.

TEST CONDITIONS: INLET AIR DENSITY 0.075 lbs. per cu. ft. [20 (68), 29.92" Hg (14.7 PSIA)].

NORMAL PERFORMANCE VARIATIONS ON THE RESISTANCE CURVE WITHIN 0% OF SUPPLIED DATA CAN BE EXPECTED.



MOUNTING HOLE  
 DETAIL (4)