

Network Communication Options

These cards, cables, and devices add control functionality to the standard drive. Items are shipped loose and unmounted.

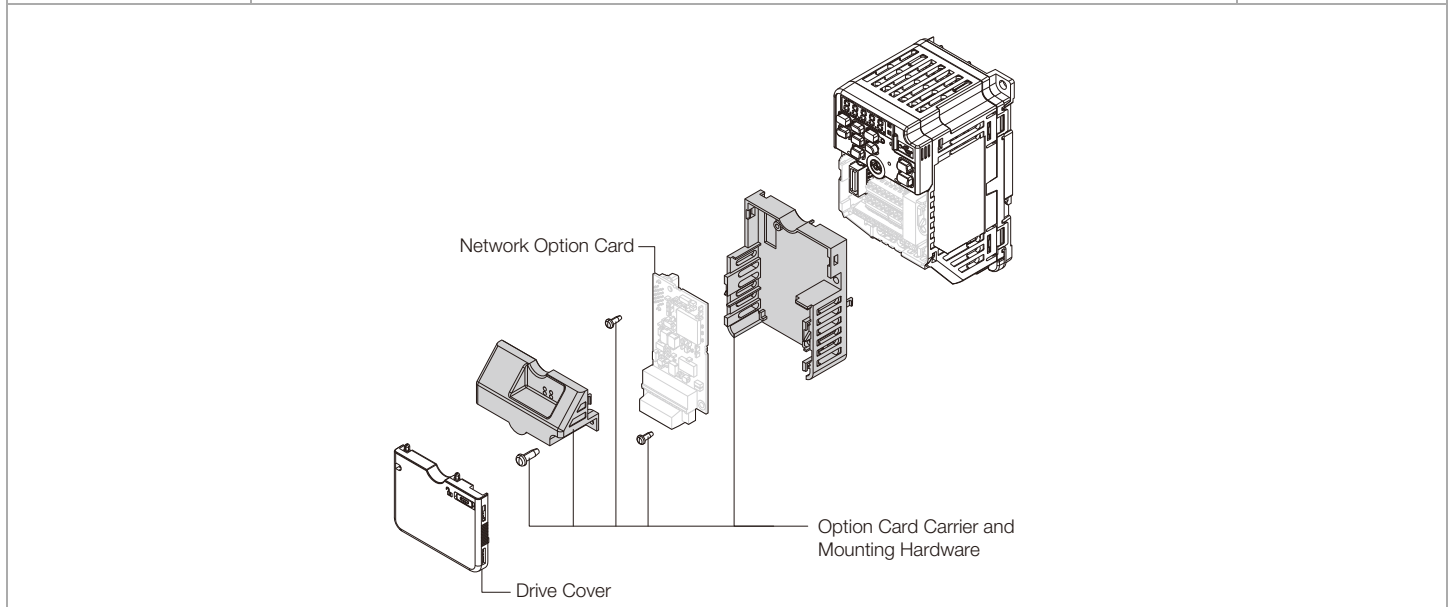
Table 9: Option Cards

Option ¹	Description	List Price
SI-S3	CANopen	\$295
SI-C3	CC-Link	\$425
SI-N3	DeviceNet	\$275
SI-EN3	EtherNet/IP	\$360
SI-EN3D	EtherNet/IP dual port	\$440
SI-ES3	EtherCAT	\$695
SI-T3	MECHATROLINK II	\$440
SI-ET3	MECHATROLINK III	\$595
SI-EM3	Modbus/TCP	\$360
SI-EM3D	Modbus/TCP dual port	\$440
SI-EP3	PROFINET	\$440
SI-P3	PROFIBUS-DP	\$495

1. Use of an option card requires the Option Card Carrier.

Table 10: Option Card Carrier Kit

Option	Purpose	List Price
JOHB-GA50	For use when installing a communication option card on the GA500.	\$35



Keypad and Accessories

Additional Information

Keypads, Cables, and Mounting Kits

Table 11: Keypads

Catalog Code	Description	List Price
JVOP-KPLCA04MEB	LCD Keypad (standard, non-Bluetooth)	\$200
JVOP-KPLCC04MBB	LCD Keypad with Bluetooth	\$335



LCD Keypad with Bluetooth

Table 12: Remote Mount Adapters

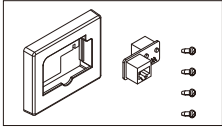

Catalog Code	Description	List Price
ZPBA-GA500	UL Type 1 LED keypad mounting kit for standard GA500 keypad 	\$153
JVOP-KPBCH04AAA	Blank LED keypad when external mounting GA500 keypad (optional) 	\$42
900-192-933-001	UL Type 1 Keypad Panel Mount Kit A (brackets have tapped holes for use with screws) (For use with optional LCD keypad)	\$30
900-192-933-002	UL Type 1 Keypad Panel Mount Kit B (brackets have untapped holes for use with panel studs) (For use with optional LCD keypad)	\$30
900-239-230-001	Outdoor UL Type 12/3/3R Keypad Panel Mount (For use with optional LCD keypad)	\$150

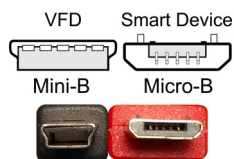


Table 13: Cables

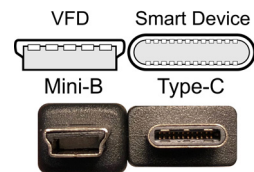
Catalog Code	Description	List Price
UWR0051	Keypad Remote Mount Cable - 1 Meter	\$4
UWR0052	Keypad Remote Mount Cable - 3 Meter	\$8
UWR01258	USB Cable for PC to Drive Communication - 3 Meter	\$15

Table 14: Android Mobile Device Interface Cables (for connecting Android device to USB port on drive)

Catalog Code	Description	List Price
UWR01516-B	USB Mini-B to USB Micro-B. On-The-Go (OTG) compatible, 2-meter length	\$40
UWR01516-C	USB Mini-B to USB Type-C. On-The-Go (OTG) compatible, 2-meter length	\$30



UWR01516-B - USB Mini-B to USB Micro-B



UWR01516-C - USB Mini-B to USB Type-C

Enclosure Adapters and Kits

These adapters are for mounting the standard IP20 drives directly to a wall, DIN Rail, or machine in a clean environment, or inside a UL Type 1 enclosure with external heatsink. The UL Type 1 Adapters convert a Protected Chassis Drive without EMC (IP20) to an enclosed wall-mounted drive (UL Type 1).

Additional Information

Enclosure Adapters and Kits

IP20/UL Type 1 Adapters



This adapter turns the GA500 IP20/Protected Chassis into a GA500 UL Type 1 drive.

Table 15: 240 V, Single-Phase, IP20/UL Type 1 Adapter Kit

Catalog Code GA50U . . .	UL Type 1 Adapters	
	Catalog Code	List Price
B001ABA	ZBAA-GA50V1-1	\$77
B002ABA	ZBAA-GA50V1-1	\$77
B004ABA	ZBAA-GA50V1-2	\$77
B006ABA	ZBAA-GA50V2-1	\$88
B010ABA	ZBAA-GA50V2-2	\$96
B012ABA	ZBAA-GA50V3-1	\$102
B018ABA	ZBAA-GA50V4-1	\$120

Table 16: 240 V, Three-Phase, IP20/UL Type 1 Adapter Kit

Catalog Code GA50U . .	UL Type 1 Adapters	
	Catalog Code	List Price
2001ABA	ZBAA-GA50V1-1	\$77
2002ABA	ZBAA-GA50V1-1	\$77
2004ABA	ZBAA-GA50V1-1	\$77
2006ABA	ZBAA-GA50V1-1	\$77
2010ABA	ZBAA-GA50V2-3	\$84
2012ABA	ZBAA-GA50V2-1	\$88
2021ABA	ZBAA-GA50V3-2	\$96
2030ABA	ZBAA-GA50V5-1	\$108
2042ABA	ZBAA-GA50V5-1	\$108
2056ABA	ZBAA-GA50V6-1	\$111
2070ABA	ZBAA-GA50V7-1	\$144
2082ABA	ZBAA-GA50V7-1	\$144

Table 17: 480 V, Three-Phase, IP20/UL Type 1 Adapter Kit

Catalog Code GA50U . .	UL Type 1 Adapters	
	Catalog Code	List Price
4001ABA	ZBAA-GA50V2-4	\$81
4002ABA	ZBAA-GA50V2-4	\$81
4004ABA	ZBAA-GA50V2-5	\$85
4005ABA	ZBAA-GA50V2-2	\$96
4007ABA	ZBAA-GA50V2-2	\$96
4009ABA	ZBAA-GA50V2-2	\$96
4012ABA	ZBAA-GA50V3-2	\$96
4018ABA	ZBAA-GA50V5-1	\$108
4023ABA	ZBAA-GA50V5-1	\$108
4031ABA	ZBAA-GA50V6-1	\$111
4038ABA	ZBAA-GA50V6-1	\$111
4044ABA	ZBAA-GA50V8-1	\$126
4060ABA	ZBAA-GA50V8-1	\$126

External Heatsink Adapters

These adapters are for mounting standard IP20/Protected Chassis drives with the heatsink external to an enclosure.

Figure 2: External Heatsink Adapters

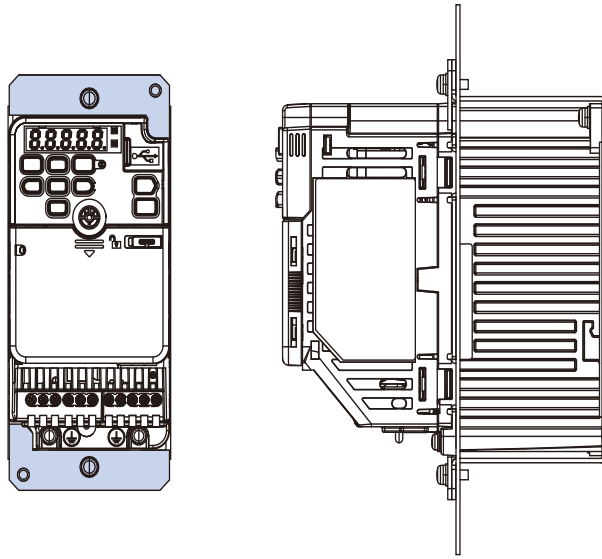


Table 18: 240 V, Single-Phase, Drive Mounting Adapters

Catalog Code GA50U . .	External Heatsink Adapters	
	Catalog Code	List Price
B001*BA	ZPSA-GA50V1-1	\$37
B002*BA	ZPSA-GA50V1-1	\$37
B004*BA	ZPSA-GA50V1-2	\$37
B006*BA	ZPSA-GA50V2-2	\$42
B010*BA	ZPSA-GA50V2-3	\$84
B012*BA	ZPSA-GA50V3-1	\$84
B018*BA	ZPSA-GA50V4-1	\$125

Table 19: 240 V, Three-Phase, Drive Mounting Adapters

Catalog Code GA50U . .	External Heatsink Adapter	List Price
	Catalog Code	
2001*BA	ZPSA-GA50V1-1	\$37
2002*BA	ZPSA-GA50V1-1	\$37
2004*BA	ZPSA-GA50V1-2	\$37
2006*BA	ZPSA-GA50V1-3	\$41
2010*BA	ZPSA-GA50V2-3	\$84
2012*BA	ZPSA-GA50V2-3	\$84
2021*BA	ZPSA-GA50V3-1	\$84
2030*BA	ZPSA-GA50V5-1	\$85
2042*BA	ZPSA-GA50V5-1	\$85
2056*BA	ZPSA-GA50V6-1	\$92
2070*BA	ZPSA-GA50V7-1	\$92
2082*BA	ZPSA-GA50V7-1	\$92

Table 20: 480 V, Three-Phase, Drive Mounting Adapters

Catalog Code GA50U . .	External Heatsink Adapter	List Price
	Catalog Code	
4001*BA	ZPSA-GA50V2-1	\$50
4002*BA	ZPSA-GA50V2-2	\$42
4004*BA	ZPSA-GA50V2-2	\$42
4005*BA	ZPSA-GA50V2-3	\$84
4007*BA	ZPSA-GA50V2-3	\$84
4009*BA	ZPSA-GA50V2-3	\$84
4012*BA	ZPSA-GA50V3-1	\$84
4018*BA	ZPSA-GA50V5-1	\$85
4023*BA	ZPSA-GA50V5-1	\$85
4031*BA	ZPSA-GA50V6-1	\$92
4038*BA	ZPSA-GA50V6-1	\$92
4044*BA	ZPSA-GA50V8-1	\$93
4060*BA	ZPSA-GA50V8-1	\$93