

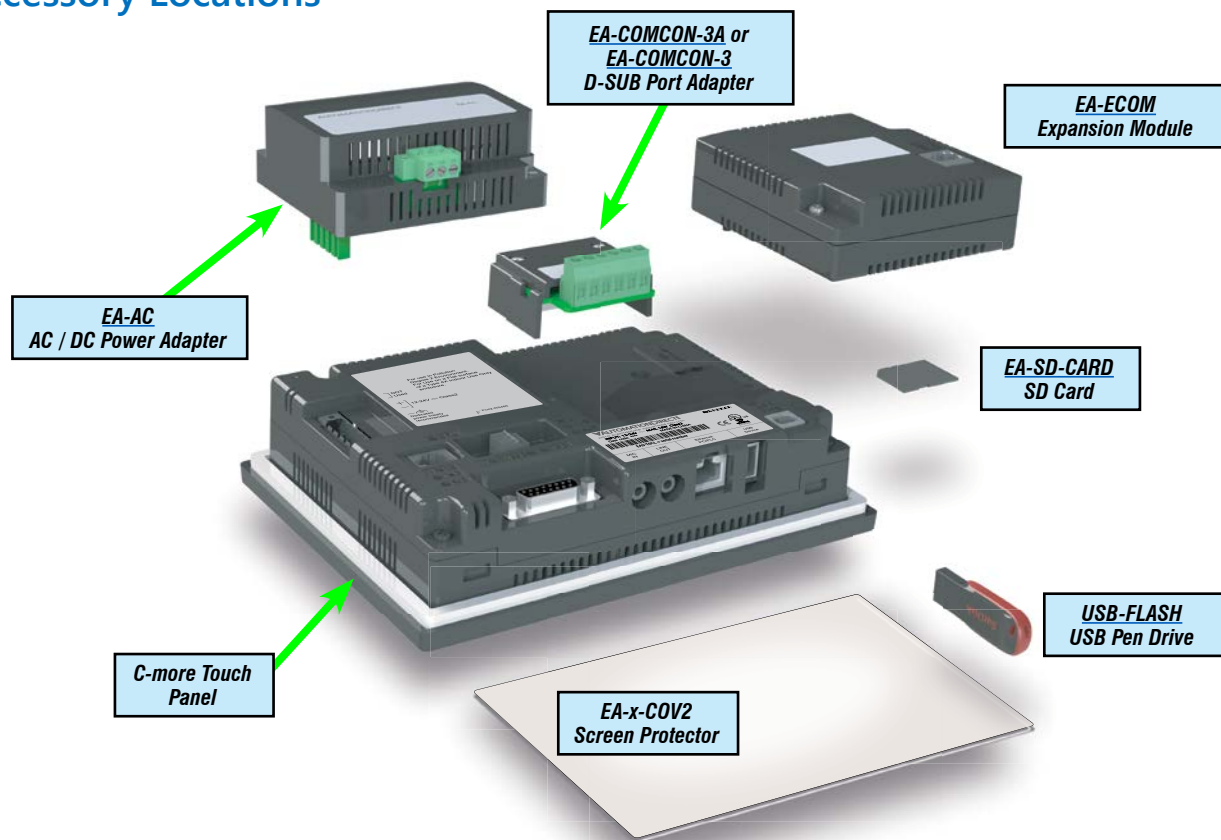
C-more Accessories

Accessories

C-more touch panels can be enhanced with the accessories below:

| Part Number | Description | Price |
|-------------------------------------|---|----------|
| <u>EA-AC</u> | C-more AC/DC power adapter, 24 VDC, 1.5A. For use with C-more EA7 and EA9 series touch panels. | \$94.00 |
| <u>EA-6-COV2</u> | C-more screen protector, non-glare, 6in. Package of 3. For use with C-more and C-more Micro 6in HMIs. | \$47.50 |
| <u>EA-7-COV2</u> | C-more screen protector, non-glare, 7in. Package of 3. For use with C-more 7in HMIs. | \$49.50 |
| <u>EA-8-COV2</u> | C-more screen protector, non-glare, 8in. Package of 3. For use with C-more and C-more Micro 8in HMIs. | \$51.00 |
| <u>EA-10-COV2</u> | C-more Micro screen protector, non-glare, 10in. Package of 3. For use with C-more EA9-T10CL and C-more Micro EA3-T10CL HMIs. | \$57.00 |
| <u>EA-10W-COV2</u> | C-more screen protector, non-glare, 10in. Package of 3. For use with C-more EA9-T10WCL widescreen HMI. | \$57.00 |
| <u>EA-12-COV2</u> | C-more screen protector, non-glare, 12in. Package of 3. For use with C-more 12in HMIs. | \$59.00 |
| <u>EA-15-COV2</u> | C-more screen protector, non-glare, 15in. Package of 3. For use with C-more 15in HMIs. | \$69.00 |
| <u>EA-ECOM</u> | C-more communication expansion module, (1) RJ45 10/100 Mbps Ethernet port. For use with C-more Micro EA3 series 6in, 8in and 10in panels and all C-more HMIs except -R models. | \$64.00 |
| <u>EA-COMCON-3</u> | C-more DSUB port adapter, 15-pin male to 6-pole RS-422/485 terminal block, right angle cable entry. For use with C-more Micro EA1 series 4in and 6in HMIs, C-more Micro EA3 series 3in, 4in, and 6in HMIs, C-more EA9 6in and 7in HMIs. | \$53.00 |
| <u>EA-COMCON-3A</u> | C-more Micro DSUB port adapter, 15-pin male to 6-pole RS-422/485 terminal block, straight cable entry. For use with C-more Micro EA1 series 3in with EA1-MG-SP1, C-more Micro EA3 series 8in and 10in HMIs, C-more EA9 8in, 10in, 12in and 15in HMIs. | \$29.50 |
| <u>EA-SD-CARD</u> | C-more industrial memory card, 2GB SD. For use with all products with SD memory card slot. | \$125.00 |
| <u>USB-FLASH</u> | SanDisk USB Flash drive, 32GB. | \$24.50 |

Accessory Locations



C-more Accessories

AC/DC Power Adapter

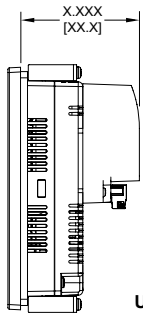
The optional C-more AC/DC Power Adapter can be used to power the C-more touch panels from a 100-240 VAC, 50/60 Hertz, voltage source. The adapter provides 24VDC @ 1.5 A to the touch panel's DC power connector and can be conveniently secured to the touch panel with two captive screws. The adapter provides a power loss signal to the touch

panel that causes the touch panel to stop writing data to SD memory devices providing a controlled shutdown for increased data logging reliability. EA-AC is not compatible with EA9-RHMI.

Part No. **EA-AC** \$94.00



Overall Panel Depth w/ EA-AC Installed

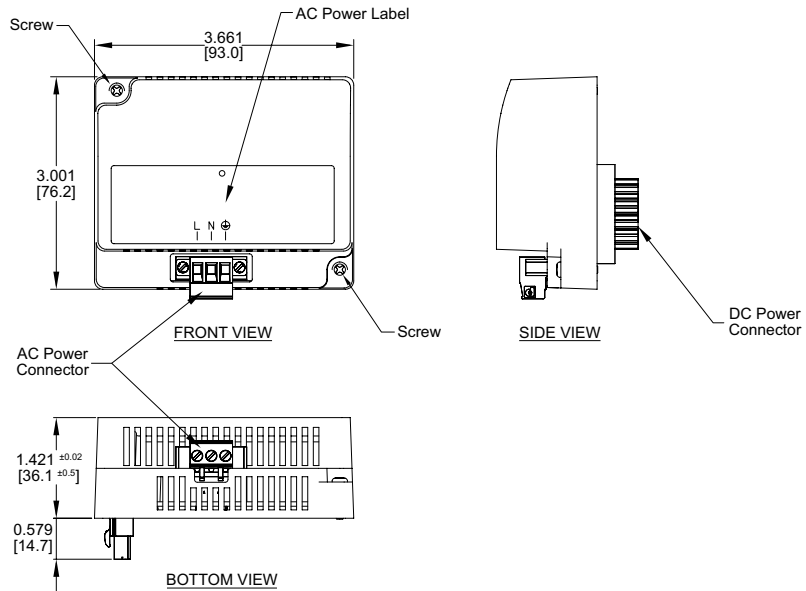


- EA9-T6CL-R = 2.99 [75.9]
- EA9-T6CL = 2.99 [75.9]
- EA9-T7CL-R = 2.99 [75.9]
- EA9-T7CL = 2.99 [75.9]
- EA9-T8CL = 3.51 [89.2]
- EA9-T10CL = 3.51 [89.2]
- EA9-T10WCL = 3.51 [89.2]
- EA9-T12CL = 3.35 [85.1]
- EA9-T16CL-R = 3.35 [85.1]
- EA9-T15CL = 3.35 [85.1]

Units: inches[mm]

Dimensions

Units: inches [mm]



| AC/DC Power Adapter Specifications | | | |
|--|--|--|---|
| Part Number | EA-AC | Short Circuit Protection | 85VAC: 2.6 A, 100VAC: 2.8 A, 264VAC: 3.9 A |
| Input Voltage & Frequency | 100-240 VAC +10% -15%; 50/60 Hertz | Static Electricity Discharge Resistance | Compliant with IEC61000-4-2, Contact: 4 kV, Air: 8 kV |
| Wire | 24-14 AWG, 60 / 75°C Copper. Tighten to 72 oz-in (0.5 Nm) | Agency Approvals | UL508 - UL Recognized for use with C-more panels, cUL, CE, EMC EN61132-2 |
| Permissible Momentary Power Failure | Within 40ms | Environment | For use in pollution degree 2 environment |
| Input Power | 68VA or less | Grounding | Ground resistance: less than 100 ohm |
| Operating Temperature Range | 0°C to 50°C [32 to 122°F] Maximum surrounding temperature rating, 50°C | Dimensions - inches [mm] | 3.00" (H) x 3.66" (W) x 1.42" (D) [76.2 mm x 93.0 mm x 36.1 mm] (Excluding DC Power Connector.) |
| Storage Temperature Range | -20 to 60°C [-4 to 140°F] | Weight | 6.13 oz. [175 g] |
| Operating & Storage Humidity | 10-85% RH (non-condensing) | Cooling Method | Natural convection |
| Noise Immunity | 1000VAC p-p (Pulse width 1 μs, rise time: 1 ns), with proper ground connection on AC terminal block. | Removable AC Power Connector (included) | EA-AC-CON or DECA Switchlab MC101-508-03G Secured with (2) captive M2.5 screws, torque to 70 oz-in [0.5 Nm] |
| Hi-Pot | 1000VAC, 1 minute, with proper ground connection on AC terminal block. | Output Voltage and Ripple | 21.6 - 26.4 VDC, Ripple < 100 mV p-p |
| Insulation Resistance | 500VDC, 10 M ohm or above, with proper ground connection on AC terminal block. | Output Current | Maximum 1.5 A |
| Vibration | Compliant with IEC61131-2 | Inrush Current | For 100VAC: 15A, 3ms or less For 240VAC: 20A, 3ms or less |
| Shock | Pulse shape: Sine half wave, Peak acceleration: 147 m/s ² (15 G), X, Y, Z: 3 directions, 2 times each | Mounting to Touch Panel | Secure with (2) spring loaded captive M3-20 screws, torque to 50 oz-in [0.35 Nm] |
| Thermal Protection | 140°C [284°F], with autorecovery | Recommended External Fuse | 3.0A (ADC p/n: MDL3) |

C-more Accessories

SD Card

EA-SD-CARD



\$125.00

SD memory card for non-volatile storage, 2GB industrial grade, 70° C maximum operating temperature makes it suitable for data logging in industrial applications. Recommended for *C-more* EA9 series. The EA-SD-CARD utilizes SLC technology so it is the fastest option for writing and storing data. If logged data is saved to external memory, AutomationDirect recommends using an EA-SD-CARD. EA-SD-CARD may be used with all products with an SD card slot.

SLC Flash memory utilized by EA-SD-CARD has the advantage of being the most accurate flash memory type when reading and writing data. SLC Flash has the longest lifespan of flash types and can operate in a broader temperature range than other types.

EA-SD-CARD with SLC Flash memory is recommended for industrial workloads that require heavy read / write cycles.

| EA-SD-CARD Specifications | |
|------------------------------|---------------------------------------|
| Operating Temperature | 0 to 70°C (32 to 158°F) |
| Humidity | 20 to 85% (non-condensing) |
| Capacity | 2GB |
| Speed Modes | High-Speed Normal-Speed |
| Interface | SD Memory Card Specification Ver. 3.0 |
| Speed Class | Class 6 |

USB Flash Drive

USB-FLASH



\$24.50

USB flash drive for non-volatile storage, 32GB. Recommended for the *C-more* EA9 series touch panels.

C-more Accessories

D-SUB 15-pin to Terminal Block Adapter - Right Angle

The EA-COMCON-3 adapter plugs into the 15-pin serial port on the rear of a panel to allow wire terminal connections for an RS-422/RS-485 communication cable. Compatible with all C-more EA7 series panels, EA9-T6CL(-R) panels, EA9-T7CL(-R) panels and C-more Micro 4" and 6" panels. UL Recognized

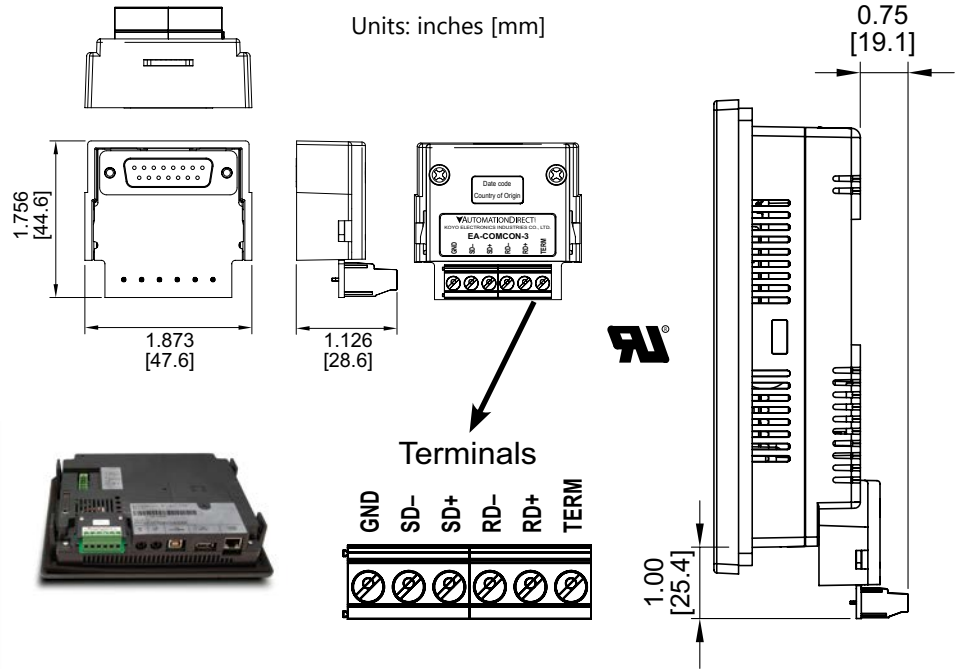
Part No.
EA-COMCON-3



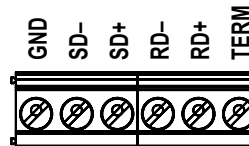
\$53.00

Dimensions

Units: inches [mm]



Terminals



D-SUB 15-pin to Terminal Block Adapter - Straight Through

The EA-COMCON-3A adapter plugs into the 15-pin serial port on the rear of a panel to allow wire terminal connections for an RS-422/RS-485 communication cable. Compatible with C-more EA9 series panels, EA9-RHMI, C-more Micro EA3-T8CL and EA3-T10CL panels and EA1-S3x with EA1-MG-SP1. Not compatible with EA9-T6CL(-R) and EA9-T7CL(-R) panels.

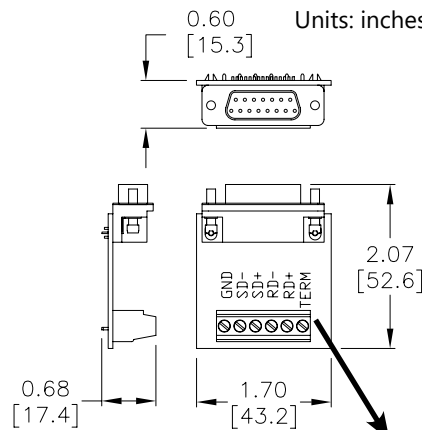
Part No.
EA-COMCON-3A



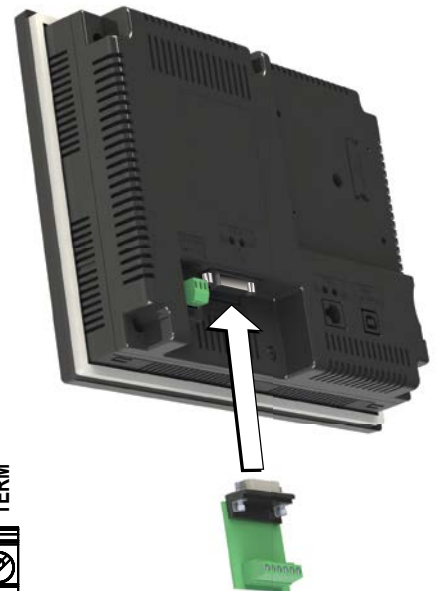
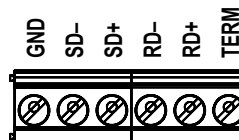
\$29.50

Dimensions

Units: inches [mm]



Terminals



| EA-COMCON-3(A) Wiring Specs | |
|-----------------------------|--------------------|
| Wire Size | Screw Torque |
| 14-24 AWG | 4.4 lb-in [0.5 Nm] |

C-more Accessories

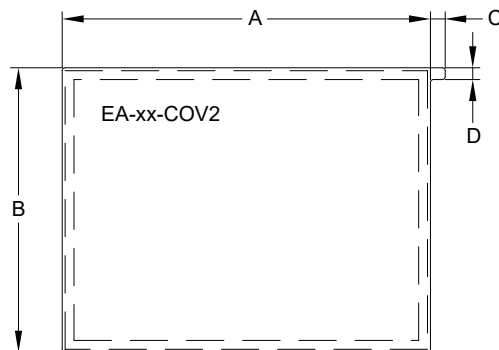
Non-glare Screen Covers (in packages of 3)

The non-glare screen covers are protective overlays used to protect the touch screen while helping to reduce the glare from external light sources.

Part Numbers: EA-6-COV2, EA-7-COV2, EA-8-COV2, EA-10-COV2, EA-10W-COV2, EA-12-COV2 and EA-15-COV2

Dimensions

Units: inches [mm]



| | |
|-----------------------------|---------|
| EA-6-COV2 | \$47.50 |
| EA-7-COV2 | \$49.50 |
| EA-8-COV2 | \$51.00 |
| EA-10-COV2 | \$57.00 |
| EA-10W-COV2 | \$57.00 |
| EA-12-COV2 | \$59.00 |
| EA-15-COV2 | \$69.00 |

| Non-glare Screen Covers Dimensions - inches [mm] | | | | |
|--|---------------|--------------|-------------|-------------|
| Part Number | A | B | C | D |
| EA-6-COV2 | 4.91 [124.8] | 3.80 [96.4] | 0.197 [5.0] | 0.157 [4.0] |
| EA-7-COV2 | 6.40 [162.6] | 4.00 [101.5] | | |
| EA-8-COV2 | 7.32 [185.8] | 5.44 [138.2] | | |
| EA-10-COV2 | 8.91 [226.2] | 6.61 [168.0] | | |
| EA-10W-COV2 | 9.23 [234.5] | 5.38 [136.7] | | |
| EA-12-COV2 | 10.26 [260.6] | 7.64 [194.1] | | |
| EA-15-COV2 | 12.56 [319.1] | 9.37 [238.1] | | |

Installation



NOTE: The Protective Cover ships with a thin protective sheet on the face of the cover that needs to be carefully removed. If your panel is not clear, the protective sheet may not have been removed.

Communication Expansion Module

EA-ECOM Ethernet Communication Module

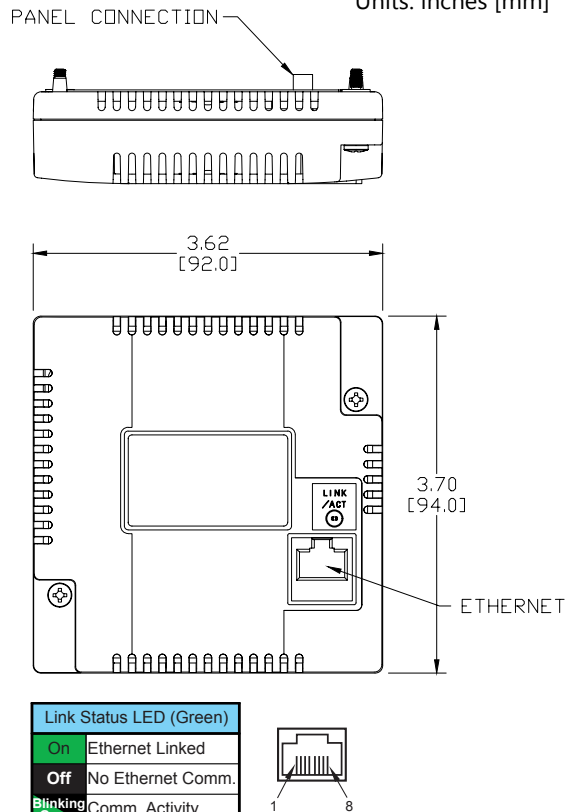
The EA-ECOM communication module is compatible with EA3 series **C-more** Micro 6-inch, 8-inch and 10-inch panels and most **C-more** panels. It adds an Ethernet (RJ45) port for programming and PLC communications at 10/100 Mbps. **C-more** Micro Software and firmware version 4.0 or later is required. **C-more** Software and firmware version 6.50 or later is required.

Part No. **EA-ECOM** \$64.00



Dimensions

Units: inches [mm]



| Ethernet Communication Interface Specifications | |
|---|---------------------------------------|
| Standard Specification | Conforms to IEEE802.3 |
| Communication Speed | 10/100 Base-T (Automatic Negotiation) |
| Cable Specification | Category 5 |
| Auto MDI / MDI-X | Yes |
| Connector Type | RJ45 |

| Communication Drivers | |
|--|---|
| C-more | C-more Micro |
| Supports all C-more Ethernet drivers | AutomationDirect Productivity Series Ethernet |
| | AutomationDirect Do-more / BRX Ethernet |
| | AutomationDirect CLICK Ethernet |
| | AutomationDirect ECOM Ethernet |
| | Modbus TCP/IP |
| | Allen-Bradley EtherNet/IP (Client) SLC5/05 |
| | Allen-Bradley EtherNet/IP (Client) ENI Adapter |
| | Allen-Bradley EtherNet/IP (Client) MicroLogix 1100/1400 |
| Allen-Bradley EtherNet/IP (Client) control/CompactLogix (SLC Mapping only) | |

| EA-ECOM Specifications | |
|-------------------------------------|---|
| Part Number | EA-ECOM |
| Operating Temperature | 0 to 50 °C (32 to 122 °F) Maximum surrounding air temperature rating: 50 °C |
| Storage Temperature | -20 to +60 °C (-4 to +140 °F) |
| Humidity | 5-95% RH (non-condensing) |
| Environmental Air | For use in pollution degree 2 environment |
| Vibration | IEC60068-2-6 (Test Fc), 5-9 Hz: 3.5 mm amplitude, 9-150 Hz: 1.0G, sweeping, at a rate of 1 octave/min. (±10%), 10 sweep cycles per axis on each of 3 mutually perpendicular axes |
| Shock | IEC60068-2-27 (Test Ea), 15 G peak, 11ms duration, three shocks in each direction per axis, on 3 mutually perpendicular axes (total of 18 shocks) |
| Noise Immunity | NEMA ICS3-304 RFI, (145 MHz, 440 MHz 10 W @ 10 cm) Impulse 1000 V @ 1 µs pulse |
| Emission | EN55011 Class A (Radiated RF emission) |
| Enclosure (panel door installation) | NEMA 250 type 4/4X indoor use only UL50 type 4X indoor use only IP-65 indoor use only (When mounted correctly) |
| Agency Approvals | CE (EN61131-2), UL508, CUL Canadian C22.2 To obtain the most current agency approval information, see the Agency Approval Checklist section on the specific part number's web page |
| Mounting Torque | 50 oz-in [0.35 N-m] |
| Weight | 0.23 lb [105g] |