



JOB NAME:	CONTRACTOR:
JOB LOCATION:	APPROVAL:
ENGINEER:	CONTRACTOR P.O.:
APPROVAL:	REPRESENTATIVE:

M8E067-0*

700076 DIRECT MOUNT, 2-WAY STAINLESS STEEL, FULL PORT BALL VALVE WITH VALBIA ELECTRIC ACTUATOR

SIZES 1/4" TO 3"

*001	12V AC/DC	*002	24V AC/DC	*003	100-240VAC
01	BATTERY BACKUP	*02*	POSITIONER	*04*	BAT. BACKUP W POS

SPECIFICATIONS

The 8E067 packed series is ideally suited for commercial and industrial applications, where space and reliability are at a premium.

The 8E067 package includes a stainless steel 1000 psi full port ball valve along with a Technopolymer housing electric motor.

The NEMA 4/4X motors incorporate dual voltages, 24AC/DC and 100-240VAC, and are standardly furnished with two extra limit switches, a heater and a thermostat, and a torque limiter for added protection.

The NEMA 4/4X housing is resistant to dusty areas and where water may be sprayed.

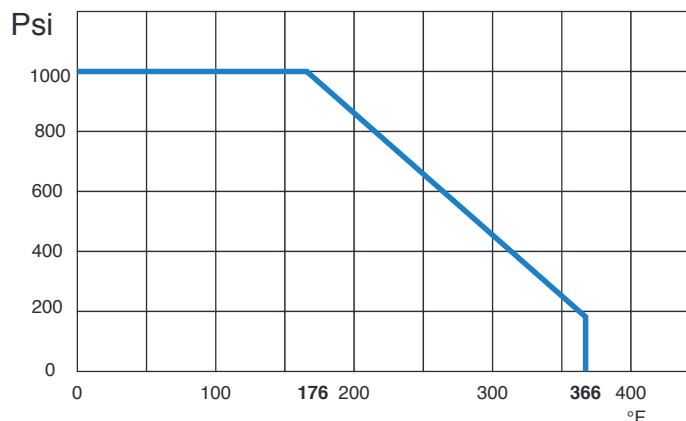
ACTUATOR FEATURES

- Dual Voltages
- CSA, UL approved
- 24V AC/DC and 100-240V AC
- ISO 5211 dual patterns
- 75% Duty Cycle
- High-Strength, Die Cast Aluminum Powder Coated Housing
- Temperature Range -4°F to 131°F
- NEMA 4 Housing
- Two Auxiliary Switches Standard
- Torque limiter standard
- 1/2" Conduit connections

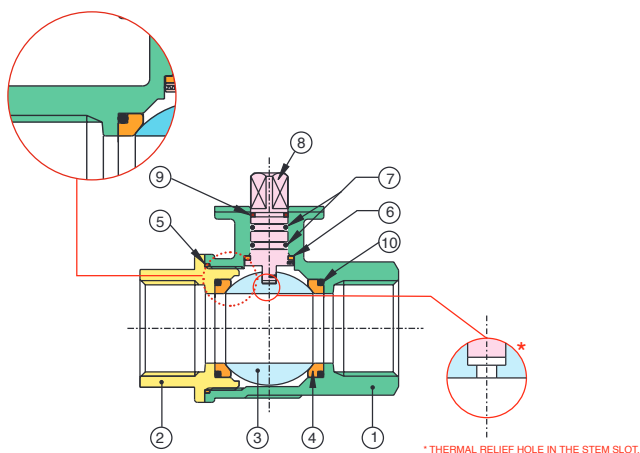
VALVE FEATURES

- CF8M Stainless Steel
- Full Port, Sizes 1/4" to 3"
- ISO 5211 pad
- Pressure rating to 1000 psi, 150 psi steam
- Temperature -4°F to 366°F
- Blow out proof stem
- P.T.F.E. seats with O-ring backing for low operating torque
- P.T.F.E. seals and Double O-ring stem seal design for extended cycle life
- 100% electronically tested in the open and closed position @ 80 Psi
- Thermal Relief Protection

PRESSURE TEMPERATURE CHART FOR 700076

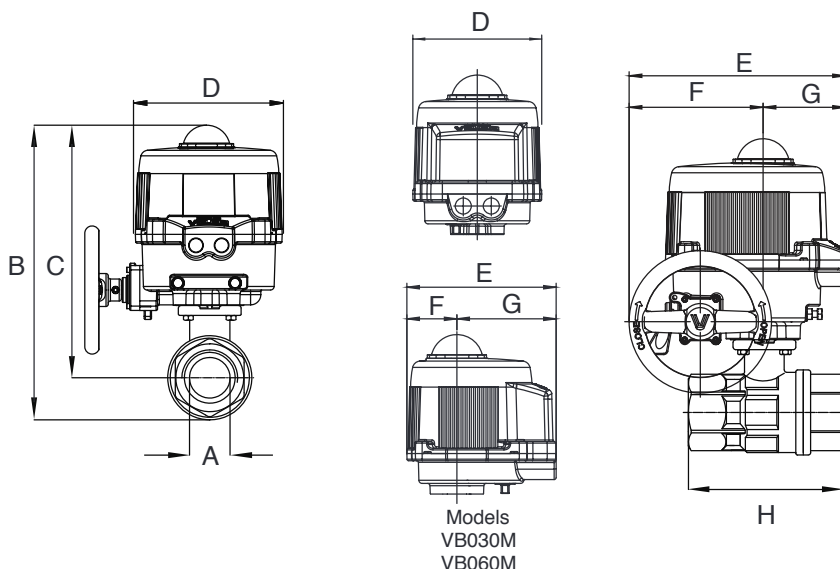


BILL OF MATERIALS FOR 700076



N POS	PART NAME	MATERIAL	N PCS
1	BODY	CF8M	1
2	END CONNECTION	CF8M	1
3	BALL	AISI 316 - CF8M	1
4	BALL SEAT	P.T.F.E.	2
5	SEAL	P.T.F.E.	1
6	STEM SEAL	P.T.F.E.	1
7	O-RING	FKM (Viton®)	2
8	STEM	AISI 316	1
9	STEM SEAL	P.T.F.E.	1
10	O-RING	FKM (Viton®)	2

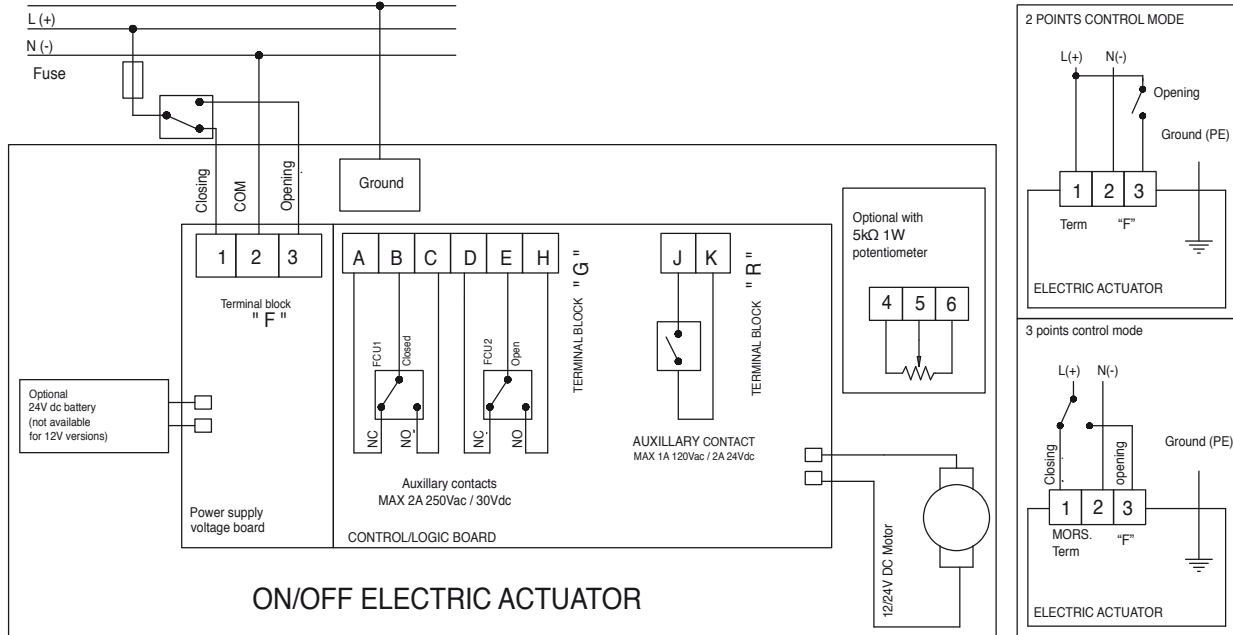
DIMENSIONS



SIZE	A	B	C	D	E	F	G	H	ACT.
1/4"	0.25	9.81	9.35	6.34	7.36	2.48	4.88	2.56	VB030M
3/8"	0.38	9.81	9.35	6.34	7.36	2.48	4.88	2.56	VB030M
1/2"	0.50	9.49	9.11	6.34	7.36	2.48	4.88	2.63	VB030M
3/4"	0.75	9.60	9.19	6.34	7.36	2.48	4.88	3.07	VB030M
1"	1.00	10.11	9.58	6.34	7.36	2.48	4.88	3.54	VB030M
1-1/4"	1.25	10.29	9.72	6.34	7.36	2.48	4.88	3.93	VB030M
1-1/2"	1.50	11.05	10.31	6.34	7.36	2.48	4.88	4.40	VB030M
2"	2.00	11.52	10.67	6.34	7.36	2.48	4.88	5.31	VB030M
2-1/2"	2.50	14.22	12.94	6.93	7.76	2.48	5.28	6.32	VB060M
3"	3.00	14.68	13.29	6.93	7.76	2.48	5.28	7.01	VB060M

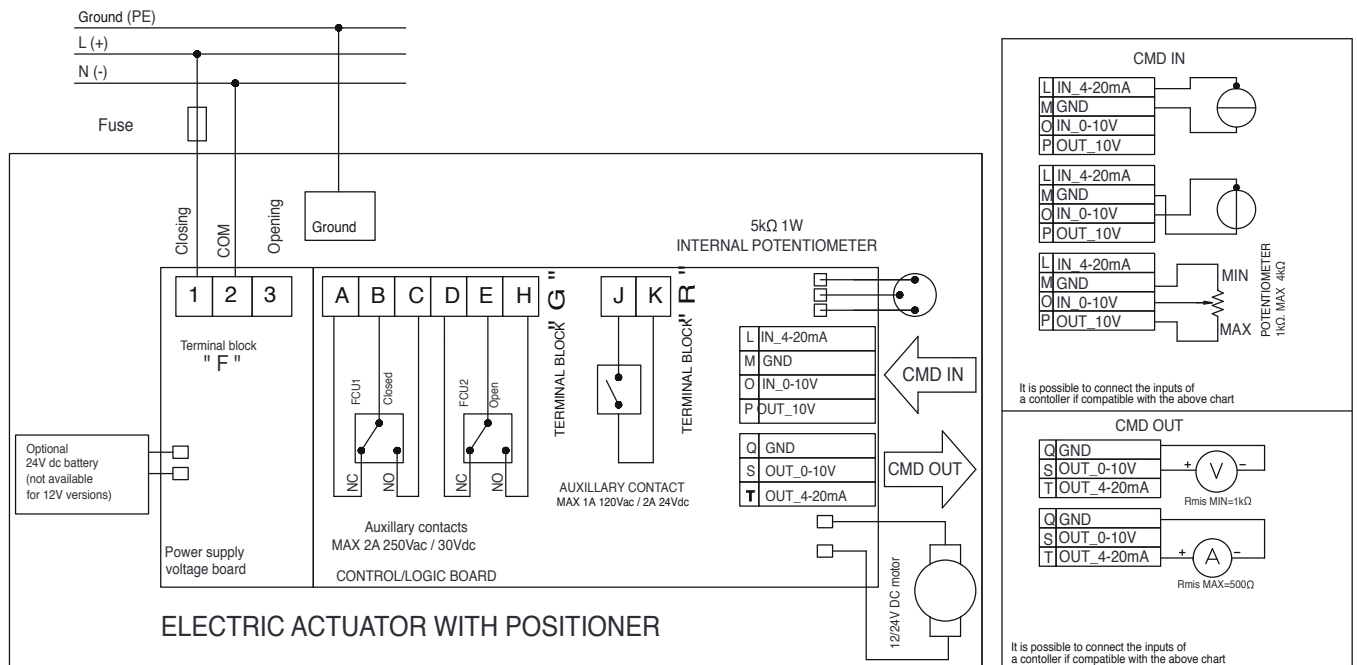
ON/OFF WIRING DIAGRAM

12V AC/DC, 24V AC/DC & 100-240VAC



POSITIONER WIRING DIAGRAM

12V AC/DC, 24V AC/DC & 100-240VAC



The power supply COM signal (pin "2" terminal block "F") cannot share the same electrical command ground signal (pin "GND" terminal block "CDM IN") or feedback ground signal (pin "GND" terminal block "CDM OUT").