



Serie **COMMERCIAL STYLE**

Articolo **171N LF - 172N LF**

Lead free brass ball valve, FNPT threaded, full port ,steel handle, white grip.

- Pressure rating 600 WOG-150 WSP.
- Temperature range -4°F to 366°F.
- Blow-out proof stem, STL coated LF brass ball.
- PTFE seats, seals, and thrust washer.
- Adjustable stem packing.
- 100% electronically tested in the open and closed position at 80 psi.
- Valve to be used in fully open or fully closed position.
- ANSI B1.20.1 connections.

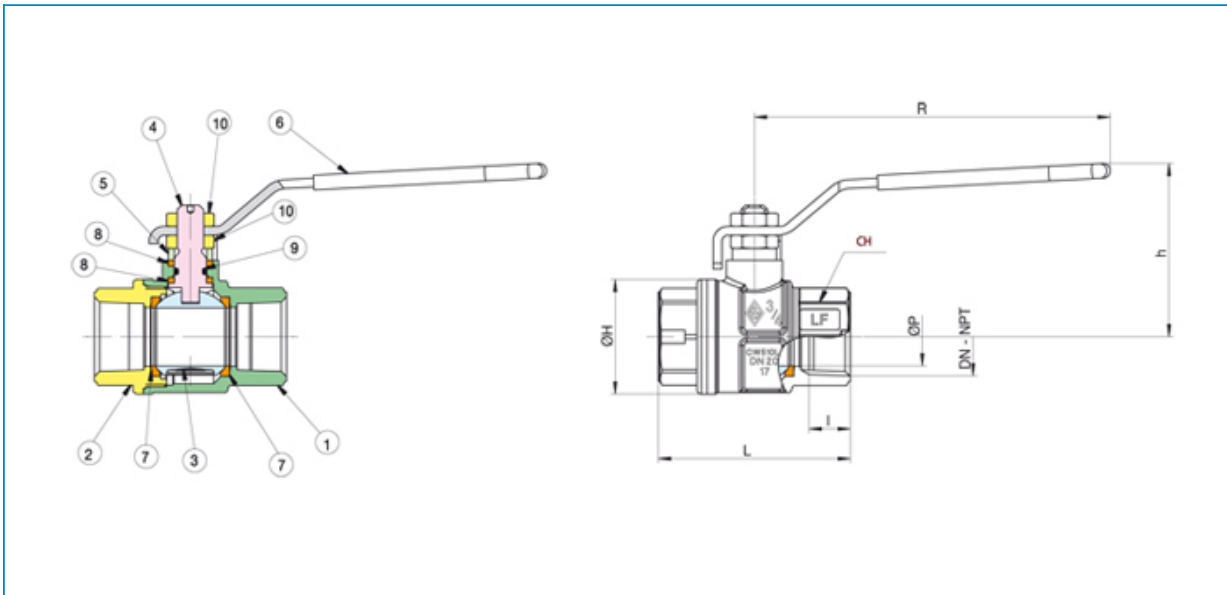
**171N LF:** LEVER HANDLE - size 1/4" to 2".

**171L LF:** LOCKING HANDLE - size 1/4" to 2".

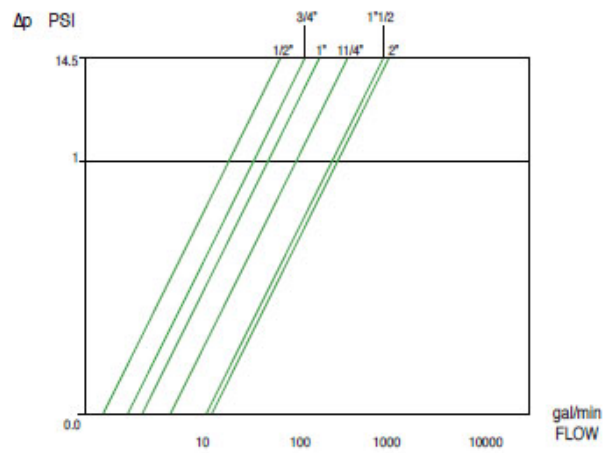
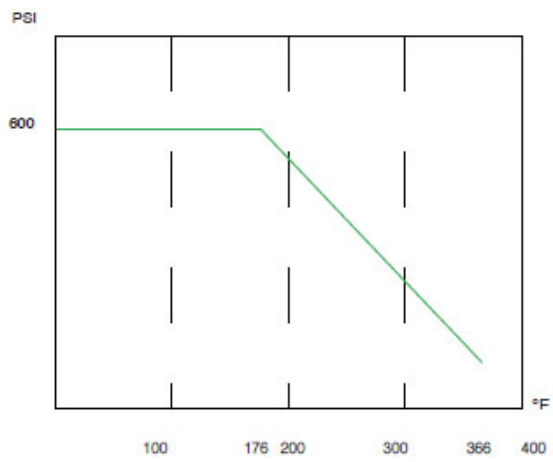
**172N LF:** T-HANDLE size 1/4" to 1".

**171S LF:** BALL AND STEM IN STAINLESS STEEL AISI 316 - SIZE 1/4" - 2".

For sizes 2 1/2" , 3" and 4" see 161N LF.



The Buna O-ring is fitted to the stem of the valve as the best possible protection against potential gas leakage under extreme duty, or low pressure applications. A secondary PTFE stem seal will also assure that the valve is suitable for use up to 366°



N Pos	PART NAME	MATERIAL	N PCS
1	BODY	LF BRASS C28500*	1
2	END CONNECTION	LF BRASS C28500*	1
3	BALL	LF BRASS C28500*	1
4	STEM	LF BRASS C28500*	1
5	PACKING GLAND	BRASS C38500	1
6	HANDLE	STEEL DD11	1
7	BALL SEAT	PTFE	2
8	THRUST WASHER/STEM SEAT	PTFE	2
9	O-RING	NBR	1
10	NUT	STEEL CL04	2

\* lead free refers to the wetted surface of pipe, fittings and fixtures in potable water systems that have a weighted average lead content= 0,25%.Source: California health & Safety code (116875). Vermont Act 193

SIZE	ØP	I	L	ØH	CH	R	h	Cv	psi	Weight Lbs
1/4"	0.39	0.39	1.91	0.91	0.79	3.78	1.69	6.24	600	0.31
3/8"	0.39	0.41	1.91	0.91	0.79	3.78	1.69	6.94	600	0.29
1/2"	0.59	0.54	2.34	1.30	0.98	3.78	1.83	18.84	600	0.46
3/4"	0.79	0.55	2.56	1.54	1.22	4.76	2.32	34.10	600	0.82
1"	0.98	0.66	3.07	1.93	1.50	4.76	2.48	49.71	600	1.15
1"1/4	1.26	0.68	3.43	2.32	1.89	5.94	2.99	102.89	600	2.03
1"1/2	1.57	0.68	3.90	2.87	2.13	5.94	3.25	265.90	600	3.02
2"	1.95	0.70	4.37	3.43	2.64	6.30	3.76	306.36	600	4.96

WARNING: This product can expose you to chemicals including lead, which is known to the State of California to cause cancer and birth defects or other reproductive harm. For more information go to [www.p65warnings.ca.gov](http://www.p65warnings.ca.gov).