

Stainless Steel Ball Valve



**3 Piece 4 Bolt Enclosed • Standard Port • Threaded Connection •
Stainless Stem Trim • 2000 WOG**



T-SS-2001N-4B

Features

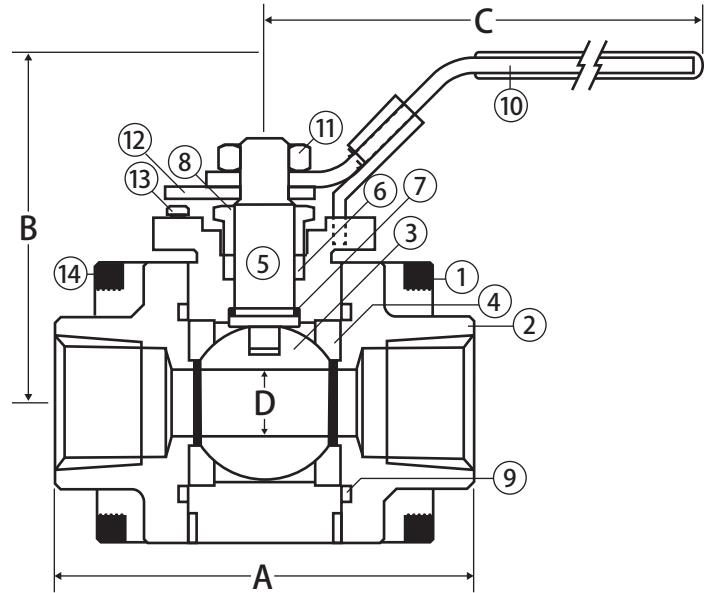
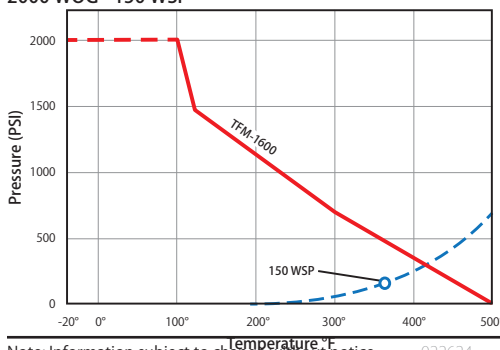
- Solid Ball Construction
- Latch Lock Handle May be Locked in Open or Closed Position
- Blow-Out Proof Stem
- 100% Leak Tested
- 29 in-Hg Vacuum Rating
- Wetted Surfaces Contain Less than .25% Lead Content
- Repair Kits Available

Approvals

- UL Listed
 - MHKZ - Manual Valves
 - YQNZ - Compressed Gas Shut-Off Valves
 - YRBX - Flammable Liquid Shut-Off Valves
 - YRPV - Gas Shut-Off Valves
 - YSDT - LP Gas Shut-Off Valves
 - YQAR - Anhydrous Ammonia Shut-Off Valves
- Conforms to API 598
- MSS SP-110, SP-61, SP-81
- NACE Certified
- ASME B16.34 (1/2" - 1-1/4")
- ANSI B1.20.1
- ANSI B16.11
- Buy American Act Compliant

Valve Seat Rating

2000 WOG - 150 WSP



Material Specifications

| No. | Part | Materials |
|-----|----------------|-------------------------|
| 1 | Body | CF8M Stainless Steel |
| 2 | End Cap (2) | CF8M Stainless Steel |
| 3 | Ball | CF8M Stainless Steel |
| 4 | Seat (2)* | Hostaflon® TFM 1600 |
| 5 | Stem | 316 Stainless Steel |
| 6 | Packing (2) | RPTFE |
| 7 | Stem Seal* | Hostaflon® TFM 1600 |
| 8 | Packing Gland* | 304 Stainless Steel |
| 9 | Body Seal (2)* | Hostaflon® TFM 1600 |
| 10 | Handle | 304 Stainless Steel |
| 11 | Handle Nut | 304 Stainless Steel |
| 12 | Stop Plate | 304 Stainless Steel |
| 13 | Lock Pin | 304 Stainless Steel |
| 14 | Body Bolt (8) | A193-B8 Stainless Steel |

*Included in Repair Kit

Dimensions

| Part No. | Size | A | B | C | D | Torque |
|----------|--------|------|------|------|------|--------|
| 601-603 | 1/2" | 2.72 | 2.47 | 4.15 | 0.43 | 85 |
| 601-604 | 3/4" | 2.94 | 2.70 | 4.15 | 0.55 | 150 |
| 601-605 | 1" | 3.50 | 3.19 | 5.00 | 0.81 | 180 |
| 601-606 | 1-1/4" | 3.90 | 3.64 | 5.98 | 0.98 | 210 |
| 601-607 | 1-1/2" | 4.42 | 3.88 | 7.76 | 1.25 | 320 |
| 601-608 | 2" | 5.04 | 4.09 | 7.76 | 1.50 | 440 |

WARNING: This product can expose you to chemicals including diisononyl phthalate (DINP), which is known to the State of California to cause birth defects or other reproductive harm. For more information go to www.P65Warnings.ca.gov.