

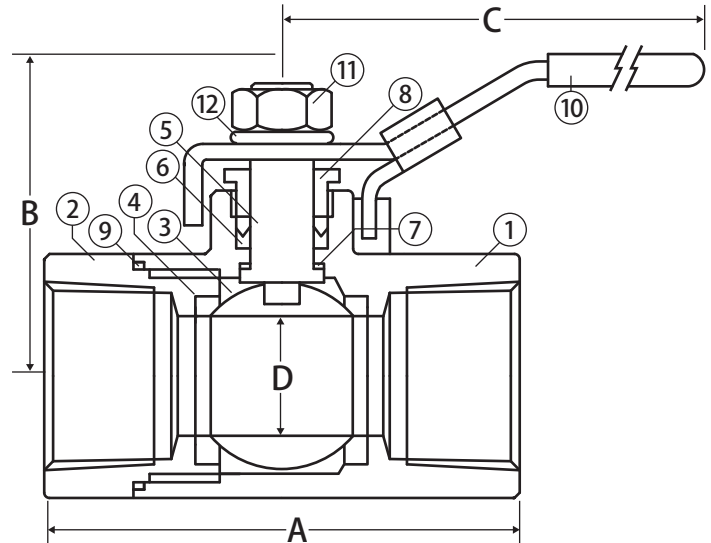
Carbon Steel Ball Valve



2 Piece • Standard Port • Threaded Connection • Stainless Steel Trim • 2000 WOG



T-CS-2000N-SS



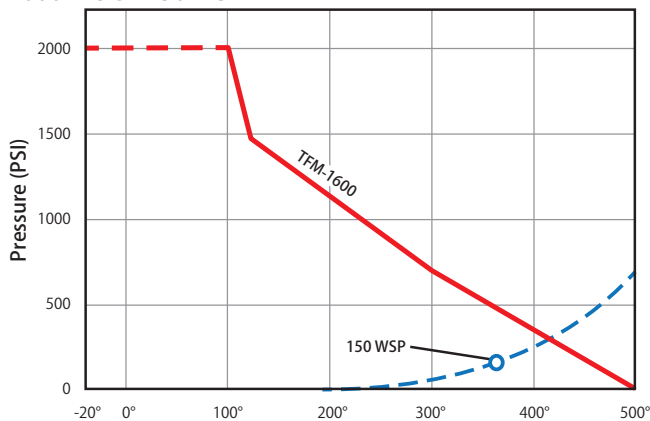
Features

- Solid Ball Construction
- Latch Lock Handle May be Locked in Open or Closed Position
- 100% Leak Tested
- 29 in-Hg Vacuum Rating
- Wetted Surfaces Contain Less than .25% Lead Content

Approvals

- UL Listed
 - MHKZ - Manual Valves
 - YQNZ - Compressed Gas Shut-Off Valves
 - YRBX - Flammable Liquid Shut-Off Valves
 - YRPV - Gas Shut-Off Valves
 - YSDT - LP Gas Shut-Off Valves
 - YQAR - Anhydrous Ammonia Shut-Off Valves
- Conforms to API 598
- ANSI B1.20.1
- NACE Certified
- MSS SP-110
- Buy American Act Compliant

Valve Seat Rating 2000 WOG - 150 WSP



Material Specifications

No.	Part	Materials
1	Body	WCB Carbon Steel
2	End Connection	WCB Carbon Steel
3	Ball	CF8M Stainless Steel
4	Seat (2)	Hostaflo [®] TFM 1600
5	Stem	316 Stainless Steel
6	Packing (2)	RPTFE
7	Stem Seal	Hostaflo [®] TFM 1600
8	Packing Gland	12L14 Carbon Steel
9	Body Seal	Hostaflo [®] TFM 1600
10	Handle	A283 Carbon Steel
11	Handle Nut	A283 Carbon Steel
12	Lock Washer	A283 Carbon Steel

Dimensions

Part No.	Size	A	B	C	D	Torque
100-951	1/4"	2.07	1.76	4.33	0.37	35
100-952	3/8"	2.07	1.76	4.33	0.37	35
100-953	1/2"	2.34	1.92	4.33	0.50	65
100-954	3/4"	2.80	2.40	5.83	0.69	100
100-955	1"	3.23	2.56	5.83	0.87	120
100-956	1-1/4"	3.57	2.74	7.76	1.00	210
100-957	1-1/2"	4.04	2.98	7.76	1.25	300
100-958	2"	4.63	3.17	7.76	1.50	400