

Lead Free Y-Strainer



Threaded Connection • 150 WOG • 20 Stainless Steel Mesh



T-651G

Approvals

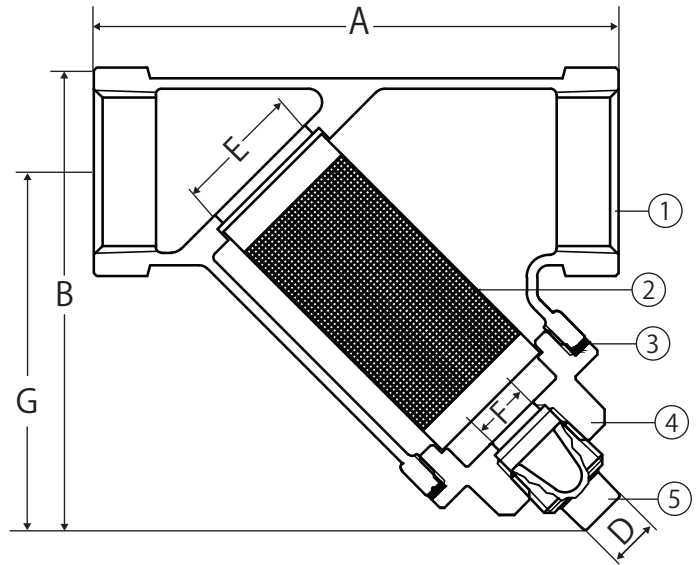
- Truesdail Certified NSF/ANSI/CAN 61 & 372
- MSS SP-25

Features

- Dezincification Resistant Bronze
- C89844 Bronze
- 304 Stainless Steel 20 Mesh Screen
- 1/2" - 3/4" have a 3/8" FNPT Plugged Cap
- 1" - 3" have a 1/2" FNPT Plugged cap
- Wetted surfaces contain less than .25% lead content

Pressure / Temperature Rating

- 150 WOG
- Max Temp. 250°F



Material Specifications

No.	Part	Materials
1	Body	Cast Bronze - C89844
2	Filter	304 Stainless Steel - 20 Mesh Screen
3	Packing	Fibre
4	Bonnet	Cast Bronze - C89844
5	Plug	Cast Bronze - C89844

Dimensions

Part No.	Size	A	B	D	E	F	G	Cv
106-303G	1/2"	3.23	3.01	0.45	0.61	0.43	2.44	9.42
106-304G	3/4"	3.94	3.49	0.45	0.83	0.43	2.78	13.84
106-305G	1"	4.53	4.03	0.52	1.00	0.57	3.19	23.72
106-306G	1-1/4"	5.33	4.70	0.52	1.30	0.59	3.66	31.03
106-307G	1-1/2"	6.20	5.02	0.52	1.64	0.59	3.82	38.58
106-308G	2"	7.44	6.14	0.52	2.03	0.59	4.65	45.11
106-309G	2-1/2"	8.94	7.22	0.52	2.50	0.59	5.39	84.94
106-310G	3"	10.00	7.85	0.52	3.01	0.59	5.67	100.52



WARNING: This product can expose you to chemicals including lead, which is known to the State of California to cause cancer, birth defects or other reproductive harm. For more information go to www.P65Warnings.ca.gov.