

Lead Free Brass Ball Valve

2 Piece, Threaded MIP x Expansion Pex Connection, Stainless Steel Trim, 400 WOG

T-422G MIP x EXPANSION



*Also Available in T-Handle

FEATURES

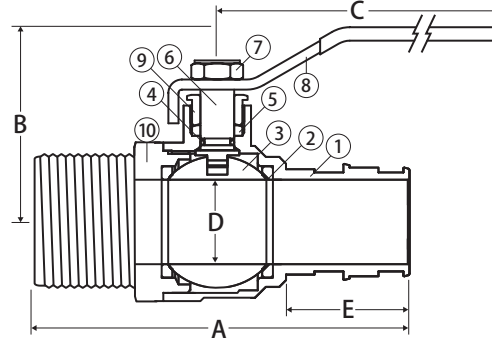
- Dezincification Resistant Brass Alloy
- Gland Follower and Single O-Ring Stem Design
- Blow-Out Proof Stem
- 100% Leak Tested
- IAPMO Certified - NSF 61 & NSF 372 & NSF 14 Certified
- ASTM F1960
- Wetted Surfaces Contain Less than .25% Content

CERTIFICATIONS/APPROVALS

- ASTM F1960
- IAPMO Certified
 - NSF 61-8
 - NSF 372
 - Uniform Plumbing Code (cUPC)
 - IAPMO/ANSI Z1157-2014
 - NSF/ANSI 14-2014
- ANSI B1.20.1

PRESSURE/TEMPERATURE RATING

- Body Rated to 400 WOG
- Expansion Connection Rated to 150 WOG up to 200°F



MATERIALS

No.	Part	Material
1	Body	Lead Free Brass - C46400
2	Seat	PTFE
3	Ball	304 Stainless Steel
4	O-ring	Buna-N
5	Packing	PTFE
6	Stem	304 Stainless Steel
7	Handle Nut	Steel - Chrome Plated
8	Handle	Steel - Chrome Plated
9	Packing Nut	Brass - C37700
10	End Connection	Lead Free Brass - C46400

DIMENSIONS

Part No	Size	A	B	C	D	E
104-534MPG	3/4"	3.17	1.81	3.35	0.61	0.94