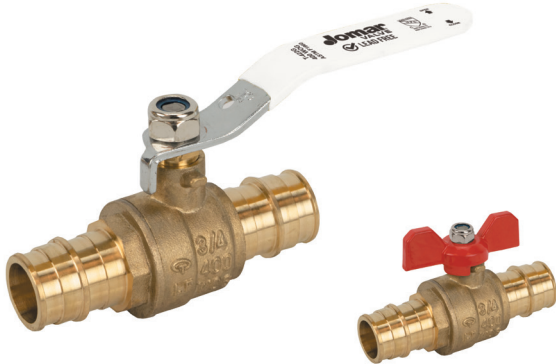


Lead Free Brass Ball Valve

2 Piece, Expansion Pex Connection, Stainless Steel Trim, 400 WOG

T-422G



*Also Available in T-Handle

FEATURES

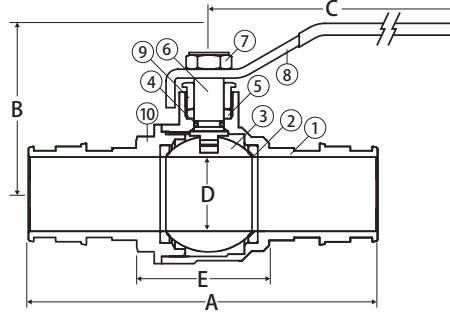
- Dezincification Resistant Brass Alloy
- Gland Follower and Single O-Ring Stem Design
- Blow-Out Proof Stem
- 100% Leak Tested
- IAPMO Certified - NSF 61 & NSF 372 & NSF 14 Certified
- ASTM F1960
- Wetted Surfaces Contain Less than .25% Content

CERTIFICATIONS/APPROVALS

- ASTM F1960
- IAPMO Certified
 - NSF 61-8
 - NSF 372
 - Uniform Plumbing Code (cUPC)
 - IAPMO/ANSI Z1157-2014
 - NSF/ANSI 14-2014

PRESSURE/TEMPERATURE RATING

- Body Rated to 400 WOG
- Expansion Connection Rated to 150 WOG up to 200°F



MATERIALS

No.	Part	Material
1	Body	Lead Free Brass - C46400
2	Seat	PTFE
3	Ball	SS304
4	O-ring	Buna-N
5	Packing	PTFE
6	Stem	SS304
7	Handle Nut	Steel - Chrome Plated
8	Handle	Steel - Chrome Plated
9	Packing Nut	Brass - C37700
10	End Connection	Lead Free Brass - C46400

DIMENSIONS

Part No	Size	A	B	C	D	E
104-523PG	1/2"	2.58	1.69	3.35	0.39	1.61
104-524PG	3/4"	3.31	1.81	3.35	0.61	1.42
104-525PG	1"	3.98	2.09	4.29	0.81	1.61
104-526PG	1-1/4"	4.65	2.25	4.29	0.98	1.76
104-527PG	1-1/2"	5.52	2.45	5.63	1.1	2.1
104-528PG	2"	6.91	2.74	5.63	1.58	2.62
104-529PG	2-1/2"	8.8	3.04	5.63	2.01	3.17
104-530PG	3"	10.75	4.25	7.76	2.44	4