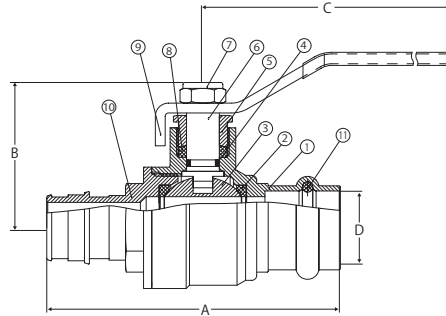


Lead Free Brass Ball Valve

2 Piece, Standard Port, Press x Expansion Pex Connection, 250 WOG

T-422G PRESS x EXPANSION



FEATURES

- Dezincification Resistant Brass Alloy
- Gland Follower and Single O-Ring Stem Design
- Blow-Out Proof Stem
- 100% Leak Tested
- IAPMO Certified - NSF 61 & NSF 372 & NSF 14 Certified
- ASTM F1960
- Wetted Surfaces Contain Less than .25% Content

CERTIFICATIONS/APPROVALS

ASTM F1960

PRESSURE/TEMPERATURE RATING

Body Rated to 250 WOG
Expansion Connection Rated to 150 WOG up to 200°F

MATERIALS

No.	Part	Material
1	Body	Lead Free Brass - C46400
2	Seat	PTFE
3	Ball	304 Stainless Steel
4	O-ring	NBR
5	Packing Nut	Brass - C37700
6	Stem	Brass - C37700
7	Handle Nut	Steel - Chrome Plated
8	Packing	PTFE
9	Handle	Steel - Chrome Plated
10	Cap	Lead Free Brass - C46400
11	O-ring	EPDM

DIMENSIONS

Part No	Size	A	B	C	D
104-563PG	1/2"	2.95	1.81	3.46	0.59
104-564PG	3/4"	3.52	2.09	4.29	0.75
104-565PG	1"	4.07	2.25	4.29	0.98