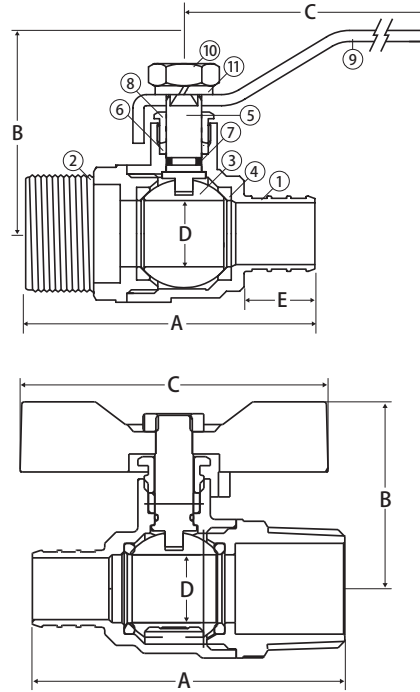


Lead Free Brass Ball Valve

2 Piece, Threaded MIP x Crimp Pex Connection, 400 WOG

T-412G MIP x CRIMP



FEATURES

- Dezincification Resistant Brass Alloy
- Gland Follower and Single O-Ring Stem Design
- Blow-Out Proof Stem
- 100% Leak Tested
- IAPMO Certified - NSF 61 & NSF 372 Certified
- ASTM F1807
- Wetted Surfaces Contain Less than .25% Content

CERTIFICATIONS/APPROVALS

- ASTM F1807
- RoHS Compliant
- CSA Certified
 - ASME A112.4.14
- IAPMO Certified
 - NSF 61-8
 - NSF 372
 - Uniform Plumbing Code (cUPC)
 - IAPMO/ANSI Z1157-2014
 - NSF/ANSI 14-2014
 - ASME/ANSI B16.18

PRESSURE/TEMPERATURE RATING

- Body Rated to 600 WOG
- Crimp Connection Rated to 100 WOG up to 180°F

MATERIALS

No.	Part	Material
1	Body	Lead Free Brass - C46400
2	End Connection	Lead Free Brass - C46400
3	Ball	304 Stainless Steel
4	Seat (2)	PTFE
5	Stem	304 Stainless Steel
6	Packing	PTFE
7	Stem O-ring	Buna-N
8	Packing Gland	Lead Free Brass - C46400
9	Handle	Steel - Chrome Plated
10	Handle Nut	Steel - Chrome Plated
11	Lock Washer	Steel - Chrome Plated

DIMENSIONS

Part No	Size	A	B	C	D	E
Lever Handle						
103-534MPG	3/4"	2.58	1.65	3.54	0.53	0.63
T-Handle						
103-534MPG-TH	3/4"	2.72	1.78	2.05	0.59	-