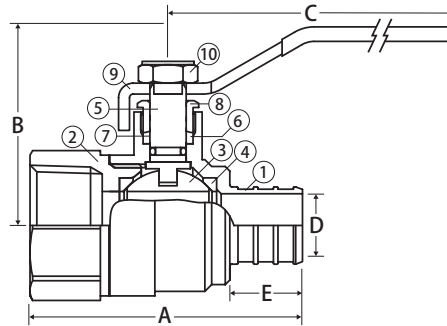


# Lead Free Brass Ball Valve

2 Piece, Threaded FIP x Crimp Pex Connection, 400 WOG

## T-412G FIP x CRIMP



### FEATURES

- Dezincification Resistant Brass Alloy
- Gland Follower and Single O-Ring Stem Design
- Blow-Out Proof Stem
- 100% Leak Tested
- IAPMO Certified - NSF 61 & NSF 372 Certified
- ASTM F1807
- Wetted Surfaces Contain Less than .25% Content

### CERTIFICATIONS/APPROVALS

- ASTM F1807
- CSA Certified
  - ASME A112.4.14
- IAPMO Certified
  - NSF 61-8
  - NSF 372
  - Uniform Plumbing Code (cUPC)
    - IAPMO/ANSI Z1157-2014
    - NSF/ANSI 14-2014
- ANSI B1.20.1

### PRESSURE/TEMPERATURE RATING

- Body Rated to 600 WOG
- Crimp Connection Rated to 100 WOG up to 180°F

### MATERIALS

No.	Part	Material
1	Body	Lead Free Brass - C46400
2	End Connection	Lead Free Brass - C46400
3	Ball	304 Stainless Steel
4	Seat (2)	PTFE
5	Stem	304 Stainless Steel
6	Packing	PTFE
7	Stem O-ring	Buna-N
8	Packing Gland	Lead Free Brass - C46400
9	Handle	Steel - Chrome Plated
10	Handle Nut	Steel - Chrome Plated
11	Lock Washer	Steel - Chrome Plated

### DIMENSIONS

Part No	Size	A	B	C	D	E
103-554PG	3/4"	2.32	1.81	3.35	0.53	0.63
103-555PG	1"	2.89	2.09	4.29	0.71	0.8