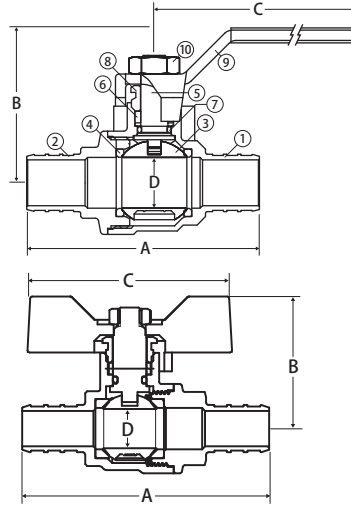


Lead Free Brass Ball Valve

2 Piece, Crimp Pex Connection, 400 WOG

T-412G



FEATURES

- Dezincification Resistant Brass Alloy
- Gland Follower and Single O-Ring Stem Design
- Blow-Out Proof Stem
- 100% Leak Tested
- IAPMO Certified - NSF 61, NSF 372 & NSF 14 Certified
- ASTM F1807
- Wetted Surfaces Contain Less than .25% Content

CERTIFICATIONS/APPROVALS

- ASTM F1807
- IAPMO Certified
 - NSF 61-8
 - NSF 372
 - Uniform Plumbing Code (cUPC)
 - IAPMO/ANSI Z1157-2014
 - NSF/ANSI 14-2014

PRESSURE/TEMPERATURE RATING

Body rated to 400 WOG
Crimp connection rated to 100 WOG up to 180°F

MATERIALS

No.	Part	Material
1	Body	Lead Free Brass - C46500
2	End Connection	Lead Free Brass - C46500
3	Ball	Chrome Plated Lead Free Brass - C46500
4	Seat (2)	PTFE
5	Stem	Lead Free Brass - C46500
6	Packing	PTFE
7	Stem O-ring	EPDM
8	Packing Gland	Lead Free Brass - C37700
9	Handle	Steel
10	Handle Nut	SS304 Stainless Steel

DIMENSIONS

Part No	Size	A	B	C	D
Lever Handle					
103-523PG	1/2"	2.47	1.5	3.41	0.47
103-524PG	3/4"	2.72	1.57	3.36	0.67
103-525PG	1"	3.27	1.57	3.15	0.86
103-526PG	1-1/4"	3.62	2.16	4.29	0.86
103-527PG	1-1/2"	4.29	2.38	4.29	1.04
103-528PG	2"	5.57	2.64	4.29	1.37
T-Handle					
103-523PG-TH	1/2"	2.47	1.32	2.05	0.47
103-524PG-TH	3/4"	2.72	1.76	2.68	0.67
103-525PG-TH	1"	3.27	1.78	2.68	0.86