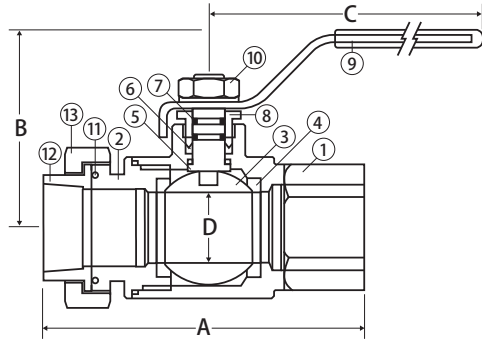


Lead Free Brass Ball Valve

2 Piece, Full Port, Single Union End, Threaded Connection, 500 WOG

T-100UEG



FEATURES

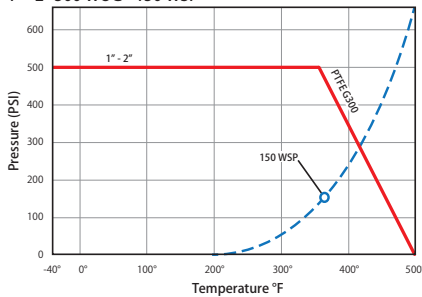
- Triple Sealing Stem with 2 FKM o-Rings and PTFE G300 Seal
- Blow-out Proof Stem
- FIP x Union FIP
- 100% Leak Tested
- 100% Made in Italy
- Leakproof Stem - Lifetime Warranty
- 29 in-Hg Vacuum Rating
- Wetted Surfaces Contain Less than .25% Lead Content
- Accessories Available

CERTIFICATIONS/APPROVALS

- NSF 372
- NSF 61-8
- MSS SP-110
- ANSI B1.20.1
- Meets ISO 6509

VALVE SEAT RATING

1" - 2" 500 WOG - 150 WSP



MATERIALS

No.	Part	Material
1	Body	Lead Free Brass - C27453
2	End Connection	Lead Free Brass - C27453
3	Ball	T.E.A. Coated Brass - C28500
4	Seat (2)	PTFE G300
5	Stem	Lead Free Brass - C28500
6	Packing	PTFE G300
7	Stem O-ring (2)	FKM
8	Packing Gland	Brass - C38500
9	Handle	Steel - Geomet® Plated
10	Handle Nut	Steel - Geomet® Plated
11	Union O-ring	FKM
12	Tail Piece	Lead Free Brass - C27453
13	Union Nut	Lead Free Brass - C27453

DIMENSIONS

Part No	Size	A	B	C	D	Cv
160-106G	1-1/4"	4.86	2.59	4.75	1.23	112.52
160-107G	1-1/2"	5.38	3.22	6.00	1.49	174.00
160-108G	2"	6.11	3.50	6.00	1.99	255.20