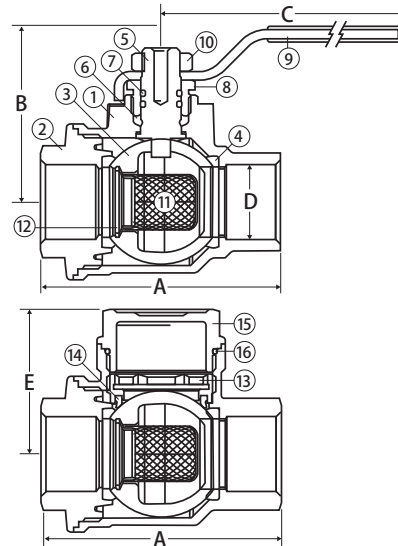


# Lead Free Brass Ball Valve | Filter Ball®

Three-Way, Full Port, Threaded Connection with Integrated Strainer, 400 WOG

## T-100FBG



### FEATURES

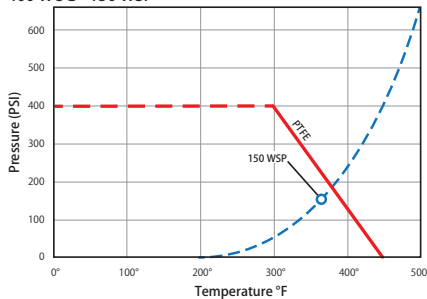
- Dezincification Resistant Brass Alloy
- Three-Way Ball Valve
- Triple Sealing Stem with 2 FKM O-Rings and Teflon® Seal
- Blow-out Proof Stem
- Shipped Standard with 304 SS 28 Mesh Screen
  - Available Mesh Screens: 40, 60, 80, 100
- Reversible Handle
- 100% Leak Tested
- 100% Made in Italy
- Leakproof Stem - Lifetime Warranty
- Wetted Surfaces Contain Less than .25% Lead Content

### CERTIFICATIONS/APPROVALS

NSF/ANSI/CAN 61-G  
ANSI B1.20.1

### VALVE SEAT RATING

400 WOG - 150 WSP



### MATERIALS

No.	Part	Material
1	Body	Lead Free Brass - C27453
2	End Connection	Lead Free Brass - C27453
3	Ball	Chrome Plated Brass - C28500
4	Seat (2)	Virgin PTFE
5	Stem	Lead Free Brass - C28500
6	Packing	Virgin PTFE
7	Stem O-ring (2)	FKM
8	Packing Gland	Brass - C38500
9	Handle	Steel - Geomet® Plated
10	Handle Nut	Steel - Geomet® Plated
11	Filter Basket	304 Stainless Steel
12	C-Clip Retainer	Phosphorous Bronze (CuSn6)
13	Body Insert*	Brass - C35300
14	Auxiliary Seat*	Virgin PTFE
15	Cap	Brass - 35300
16	O-ring	FKM

\*Not on 1/2" valve

### DIMENSIONS

Part No	Size	A	B	C	D	E	C <sub>v</sub>
100-833G	1/2"	2.73	2.2	3.74	0.69	1.47	8.09
100-834G	3/4"	3.03	2.4	4.72	0.89	1.73	8.67
100-835G	1"	3.74	2.6	4.72	1.12	2.01	16.76
100-836G	1-1/4"	4.73	3.23	5.91	1.4	2.36	23.12
100-837G	1-1/2"	5	3.5	5.91	1.77	2.91	42.77
100-838G	2"	6.06	3.56	5.91	1.77	3.01	42.77



WARNING: This product can expose you to chemicals including lead, which is known to the State of California to cause cancer, birth defects or other reproductive harm. For more information go to [www.P65Warnings.ca.gov](http://www.P65Warnings.ca.gov).