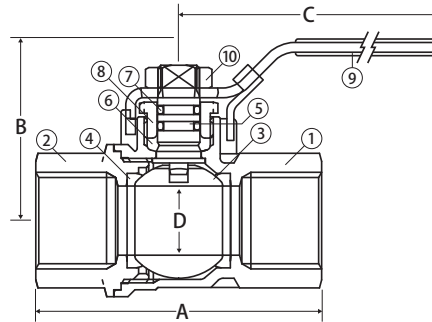


Lead Free Brass Ball Valve

2 Piece, Full Port, Threaded Connection, Stainless Steel Trim, Locking Handle, 600 WOG

T-100CSSG-LH



FEATURES

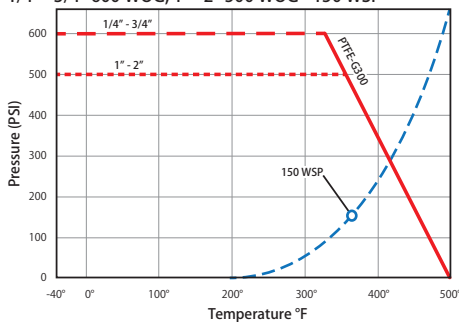
- Dezincification Resistant Brass Alloy
- Triple Sealing Stem With 2 FKM O-Rings and PTFE G300 Seal
- Blow-out Proof Stem
- 100% Leak Tested
- 100% Made in Italy
- Leakproof stem - Lifetime Warranty
- 29 in-Hg vacuum rating
- Wetted surfaces contain less than .25% lead content

CERTIFICATIONS/APPROVALS

- NSF 372
- NSF 61-8
- NSF 61 - Annex G
- MSS SP-110
- ANSI B1.20.1
- Meets ISO 6509

VALVE SEAT RATING

1/4" - 3/4" 600 WOG, 1" - 2" 500 WOG - 150 WSP



MATERIALS

No.	Part	Material
1	Body	Lead Free Brass - C27453
2	End Connection	Lead Free Brass - C27453
3	Ball	316 Stainless Steel
4	Seat (2)	PTFE G300
5	Stem	316 Stainless Steel
6	Packing	PTFE G300
7	Stem O-ring (2)	FKM
8	Packing Gland	Brass - C38500
9	Handle	304 Stainless Steel
10	Handle Nut	Steel - Geomet® Plated

DIMENSIONS

Part No	Size	A	B	C	D	E
100-403SSG-LH	1/2"	2.45	2.26	3.57	0.59	16.82
100-404SSG-LH	3/4"	2.71	2.91	4.40	0.79	34.80
100-405SSG-LH	1"	3.30	3.34	5.20	0.97	52.20
100-406SSG-LH	1-1/4"	3.80	3.55	5.20	1.23	112.52
100-407SSG-LH	1-1/2"	4.16	3.96	6.73	1.49	174.00
100-408SSG-LH	2"	5.00	4.20	6.73	1.99	255.20