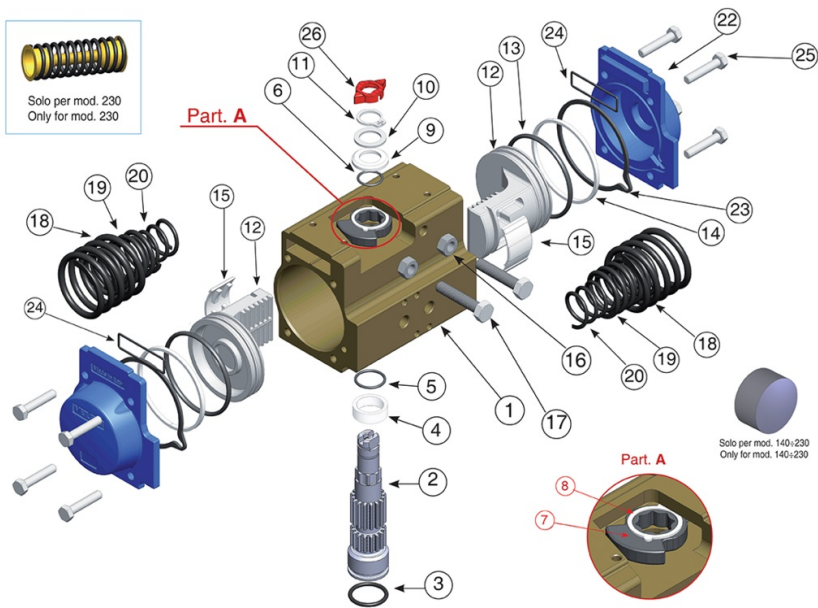


# MOD. 52



## Technical specifications

### Drawing





## Materials

POSITION	PART NAME	MATERIAL	TREATMENT	N.° PIECES
1	Body	Extruded aluminium	Ossidato duro - Hard anodized	1
2	Anti-blowout pinion	Steel	Nichelato - Nickel plated	1
3*	O-ring	NBR	-	1
4*	Spacer ring	POM	-	1
5*	O-ring	FKM (VITON)	-	1
6*	O-ring	FKM (VITON)	-	1
7	Cam	Stainless steel	-	1
8	Spacer	POM	-	1
9*	Spacer	POM	-	1
10	Washer	Stainless steel	-	1
11**	Snap ring	Steel	Nichelato - Nickel plated	1
12	Piston	Die cast aluminium	-	2
13*	O-ring	FKM (VITON)	-	2
14*	Antifriction ring	POM	-	2
15*	Thrust block	POM	-	2 [4]
16	Stop bolt retaining nut	Stainless steel	-	2
17	Stop bolt	Stainless steel	-	2
18	External spring	Steel	Verniciata - Painted	-
19***	Central spring	Steel	Verniciata - Painted	-
20	Internal spring	Steel	Verniciata - Painted	-
21	Left end cap	Die cast aluminium	Verniciata - Painted	1
22	Right end cap	Die cast aluminium	Verniciata - Painted	1
23	End cap seats	FKM (VITON)	-	2
24	O-ring	FKM (VITON)	-	2
25	End cap fixing screw	Stainless steel	-	8
26	Position indicator	Thermoplastic rubber TPE	-	1

## Table

SIZE	PATTERN ISO 5211	CH	A	B	C	D	E	F	G	H	ØI	ØK	L	M	N	O	P	Q	R	S	T NPT	U	ØV
52	F03 - F05 *	11	5.55	2.80	1.18	1.61	3.21	3.21	4.00	0.39	0.83	0.47	3.15	1.18	0.47	1.04	1.97	1.42	10-24 UNC 2Bx0.29"	1/4-20 UNC 2Bx0.35"	1/8"	1.36	0.87

## Notes

Parts subject to wear Reinforced series DIN 471-UNI 7436 Valid for mod. 140-160-180-200-230 only.  
Only for mod. 160-180-200. Only square connection at 45°

