

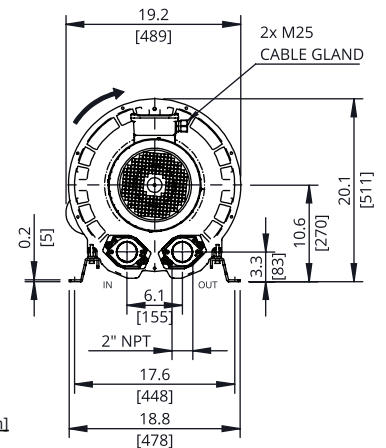
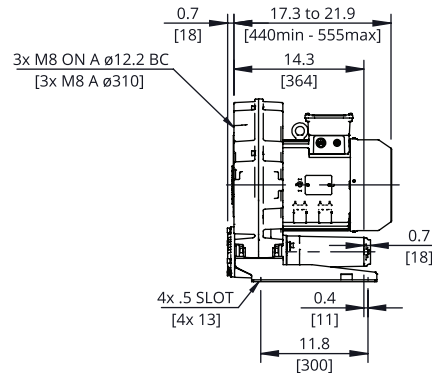


**Evolution Series  
Technical Characteristics**

- Premium efficient motor
- High efficiency impeller
- Mountable in any position
- Maintenance free operation
- TEFC (IP55)

**Optional Features**

- Anodized aluminum components for corrosion resistance
- Increased sealing



Dimensions in inches [mm]

**Technical Specifications**

Model No.	HP	Hz	Open Flow (cfm)	Max Pressure in. H <sub>2</sub> O	Max Vacuum in. H <sub>2</sub> O	Efficiency	Voltage	FLA	Starting Current Ratio <sup>1</sup>	dB(A) <sup>2</sup>	Weight (lb)
SCL e08-MD-5.5-3	5.5	60	177	60	90	88.5%	208-230/460	14.6-15.1/7.55	11.1	78	145.5
		50	150	140	150	88.1%	200/400	17.7/8.86		73	
SCL e08-MD-5.5-3-575	5.5	60	177	60	90	88.5%	575	5.31	10.9	78	145.5
SCL e08-MD-7.5-3	7.5	60	177	140	160	89.5%	208-230/460	19.8-19.5/9.75	13.7	78	182.5
		50	150	200	180	89.2%	200/400	22.2/11.1		73	
SCL e08-MD-7.5-3-575	7.5	60	177	140	160	89.5%	575	7.21	13.5	78	182.5
SCL e08-MD-10-3	10	60	177	200	180	90.2%	208-230/460	26.1-25 / 12.5	13	78	196.2
		50	150	260	—	90.1%	200/400	28.6/14.3		73	
SCL e08-MD-10-3-575	10	60	177	200	180	90.2%	575	10	12.9	78	196.2
SCL e08-MD-15-3	15	60	177	260	—	91.0%	208-230/460	38.2-37.3/18.7	12.5	78	211.6
		50	150	—	—	91.0%	200/400	43.4 / 21.7		73	
SCL e08-MD-15-3-575	15	60	177	260	—	91.0%	575	13.9	11	78	211.6

Motors include normally closed thermal protector, 1.15 S.F. (60 Hz), tropicalized windings, Class F (B) insulation, and are suitable for use with a VFD (Contact FPZ for pneumatic and speed limits when used with a VFD).

<sup>1</sup>Starting current ratio x fla = starting current

<sup>2</sup>Noise level measured at a distance of 1 m with inlet and outlet ports piped in accordance to ISO 3744

Data is subject to change without notice.

**Recommended Accessories**

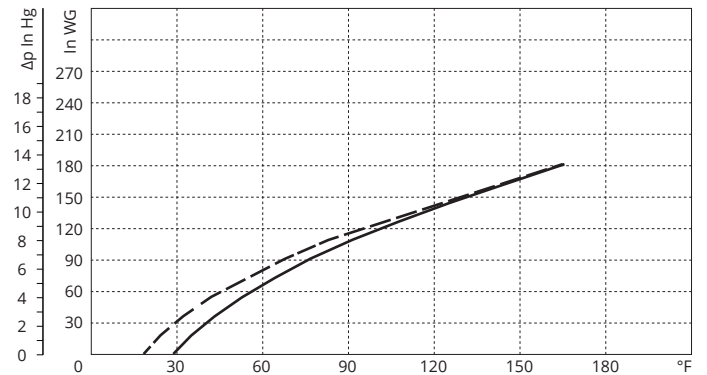
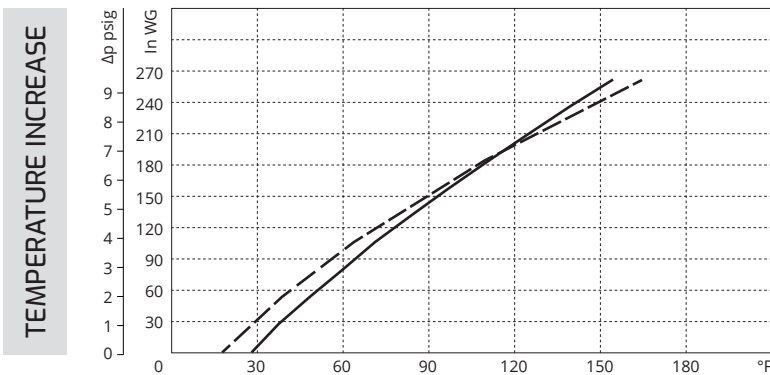
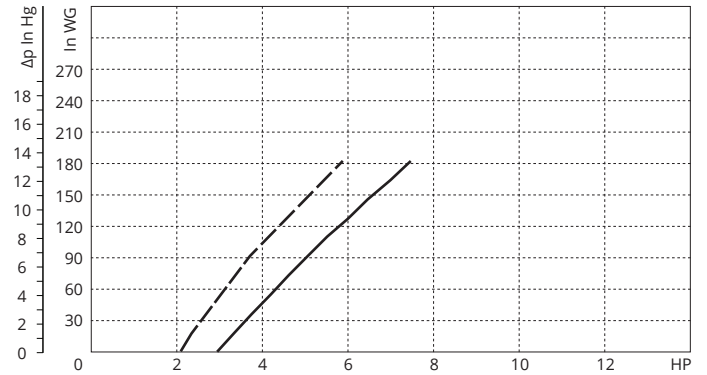
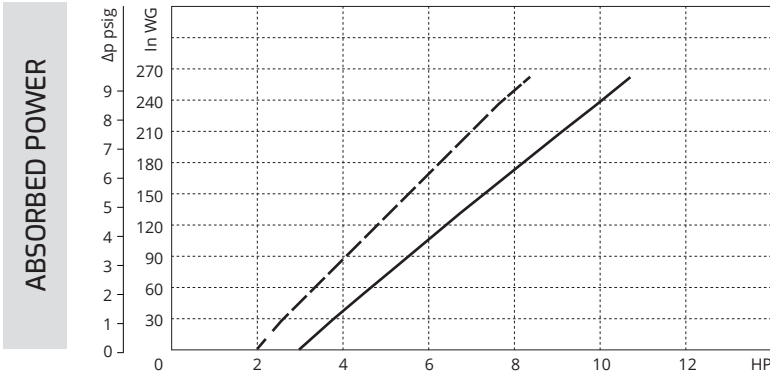
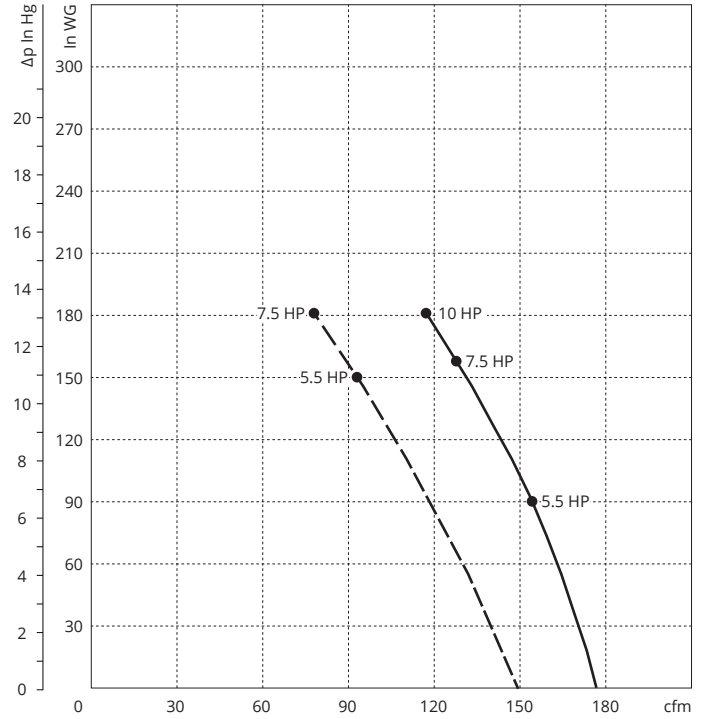
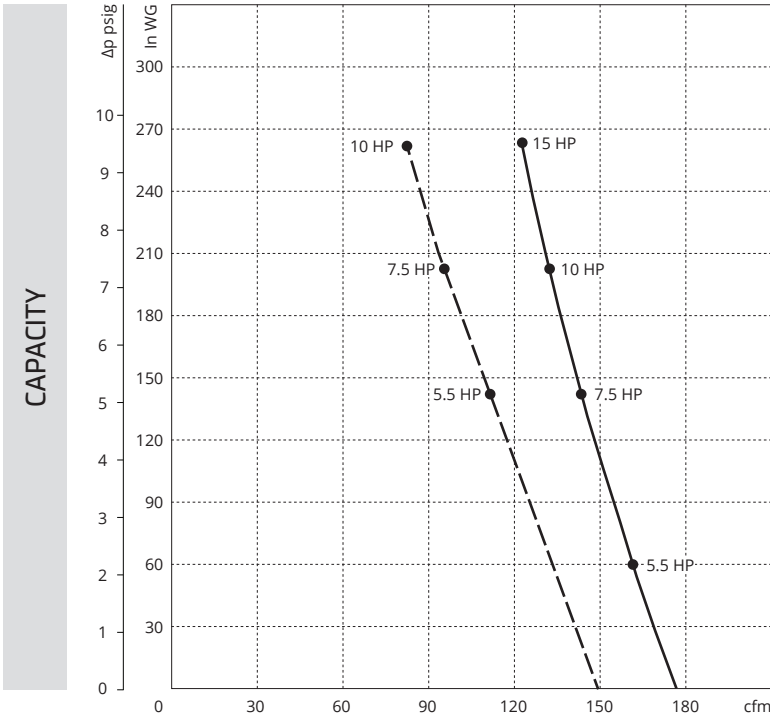
Description	Pressure Safety Valve	Vacuum Safety Valve	Pressure Filter	Vacuum Filter	Check Valve
Part Number	VRL6 (5.5 hp - 10 hp) <sup>3</sup> VRL6-HP (15 hp) <sup>3</sup>	VRL6	FS-231P-200	CSL-851-200HC	CV20

<sup>3</sup>Valve selections are based on 60 Hz and standard air. Valves are supplied uncalibrated. Safety valves are easy to calibrate, but can be ordered with factory calibration.



**PRESSURE**

**VACUUM**



Curves refer to air at 68°F temperature and 29.92 In Hg atmospheric pressure (abs) measured at inlet port.  
Values for flow, power consumption and temperature rise: +/-10% tolerance.  
Data subject to change without notice.

**KEY**    --- 50 Hz  
          — 60 Hz