



MODEL 465L

Single/Multi-Channel Industrial Hygiene Ozone Analyzer

- Ideal for Safety / Leak detection applications -



- UV Absorption Method
- Microprocessor controlled
- Menu driven software
- Lower detectable limit 3 ppb
- Programmable High and High-High alarm contacts
- Built-in diagnostics
- Self-check warning alarms
- Fast response times
- Minimal zero drift
- 1, 3 and 6 stream versions available for safety monitoring
- Programmable concentration alarms
- Temperature and pressure compensation (standard)
- Optional Ethernet

The Model 465L UV Photometric Ozone Monitor is an extremely stable analyzer, ideal for critical low-level ppm safety and process applications. Its calibration is NIST traceable and the included pressure and temperature compensation ensure high accuracy under all conditions.

The Model 465L is available in a 19" rack mount or NEMA 4X wall mount enclosure and can be purchased either as a single stream unit or as a multi-channel unit capable of monitoring up to six individual sample streams. The Model 465L has been designed to deliver excellent performance, high reliability and simple operation. Operating parameters can be easily set up in the field using the operator-friendly menu driven software.

Built-in diagnostics provide warning signals in case operating parameters are out of range. Test values can be viewed while the Model

465L is operating. These displays, warnings, and self-diagnostics, along with the modular design, allow maximum uptime. In addition, any function that can be set or monitored from the front panel can be remotely set or viewed through the bi-directional RS-232 port.

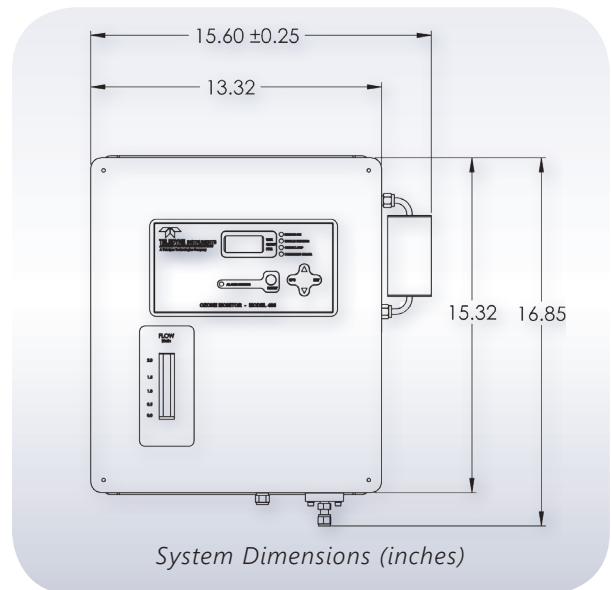
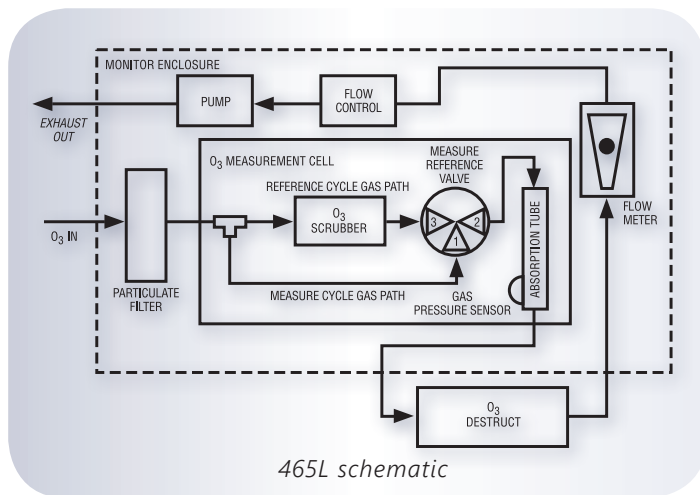
Applications

- Food and beverage
- Water treatment applications
- Semiconductor
- Pharmaceutical industry
- Other industrial processes

Single/Multi-Channel Industrial Hygiene Ozone Analyzer

Specifications

• Measurement Principle	UV Absorption (Beer-Lambert Law)	• Weight	Rack Mount – 12.6 lbs (5.73 kg) NEMA 4X – 15.1 lbs (6.85 kg)
• Measurement Range	From 0-1 ppm to 0-500 ppm	• Power	100 - 240VAC, 50/60 Hz, 74W
• Units	ppmv, ppbv, pphm, µg/m³, mg/m³	• Analog Output	0-5V or 4-20mA isolated output
• Precision / Repeatability	±0.5% of full scale	• High Current Relay Outputs	Form C Dry Contact, 250VAC/5A (System OK, Global HI Alarm, Global HI-HI Alarm)
• Display Resolution	.001 ppm	• Low Current Relay Outputs (3 or 6 channel, 3 per channel)	SPST Dry Contact, 50VDC/250mA Resistive Load (Channel ID, HI Alarm, HI-HI Alarm)
• Accuracy	±1% of full scale	• Status Outputs	System OK, Invalid Reading, Pneumatic Fault, UV Lamp Fault
• Zero Drift	.005 ppm/month, non-cumulative (.050 ppm/month Ranges >20 ppm)	• Stream ID Outputs	Channel 1 through 6
• Lower Detectable Limit (LDL)	.003 ppm	• RS-232 (Optional RS-485)	57.6 Kbaud, DB-9 connector
• Response Time	< 30 seconds to 95%	• Approvals	CE
• Relay Mode	Latching/non-latching, operator selectable	• Degree of Protection (NEMA)	IP65 (NEMA 4X)
• Stream Selector Cycle Time	1 min. to 6 min., operator selectable	• Warranty	1 year
• Sample Flow Rate	0.8 liters/minute		
• Operating Temperature Range	5°C - 45°C		
• Dimensions (HxWxD)	Rack Mount – 5.22" (133 mm) x 19" (483 mm) x 15.3" (388 mm) NEMA 4X – 16.85" (428 mm) x 15.60" (396 mm) x 6.90" (175 mm)		



— OZONE INSTRUMENTATION FOR EVERY APPLICATION —					
Model	Generator Output	Off Gas Detection	Safety / Leak Detection	Dissolved Ozone	Spot Checking
465L		•	•		
465M		•	•		
465H	•				
454	•	•			
452	•				
430			•		•
W1 + 465L				•	
470				•	

Specifications subject to change without notice. All specifications are based on constant conditions.

Printed documents are uncontrolled. SAL000021D (DCN 8114) 04.26.19