

Carbon Steel Ball Valve



**3 Piece 4 Bolt Enclosed • Standard Port • Socket Weld Connection
• Stainless Steel Trim • 2000 WOG**



S-CS-2001N-SS-4B

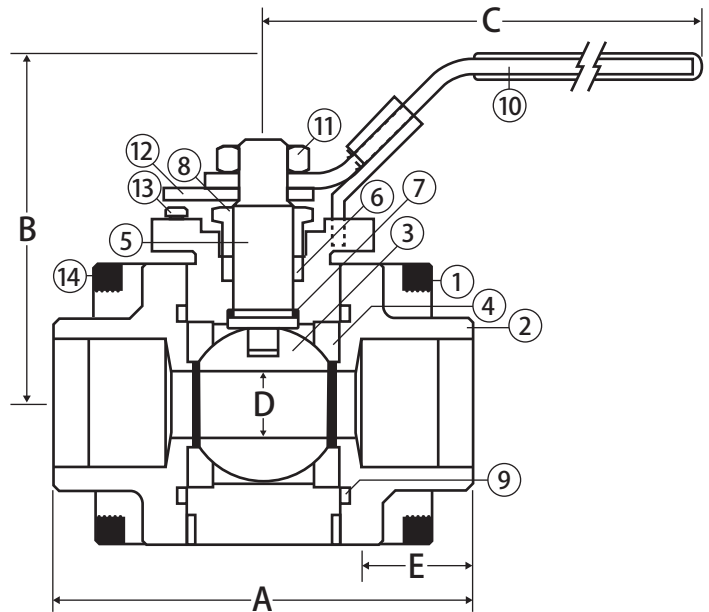
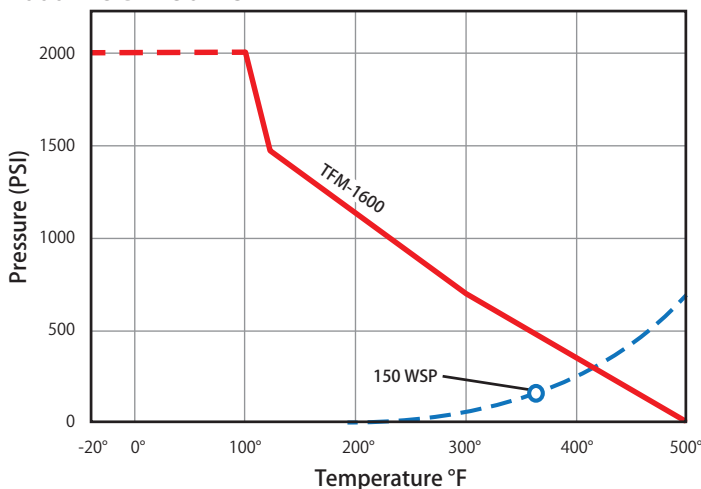
Features

- Solid Ball Construction
- Latch Lock Handle May be Locked in Open or Closed Position
- Blow-Out Proof Stem
- 100% Leak Tested
- 29 in.-Hg Vacuum Rating
- Wetted Surfaces Contain Less than .25% Lead Content
- Repair Kits Available

Approvals

- Conforms to API 598
- NACE Certified
- MSS SP-110, SP-61, SP-82
- ASME B16.34 (1/2" - 1-1/2")
- ANSI B16.11
- Buy American Act Compliant

Valve Seat Rating 2000 WOG - 150 WSP



Material Specifications

| No. | Part | Materials |
|-----|----------------|----------------------|
| 1 | Body | WCB Carbon Steel |
| 2 | End Cap (2) | WCB Carbon Steel |
| 3 | Ball | CF8M Stainless Steel |
| 4 | Seat (2)* | Hostaflo® TFM 1600 |
| 5 | Stem | 316 Stainless Steel |
| 6 | Packing (2) | RPTFE |
| 7 | Stem Seal* | Hostaflo® TFM 1600 |
| 8 | Packing Gland* | 1045 Carbon Steel |
| 9 | Body Seal (2)* | Hostaflo® TFM 1600 |
| 10 | Handle | A283 Carbon Steel |
| 11 | Handle Nut | 304 Stainless Steel |
| 12 | Stop Plate | 304 Stainless Steel |
| 13 | Lock Pin | 304 Stainless Steel |
| 14 | Body Bolt (8) | A193-B7 Steel |

*Included in repair kit

Dimensions

| Part No. | Size | A | B | C | D | E | Torque |
|----------|--------|------|------|------|------|------|--------|
| 601-633 | 1/2" | 2.72 | 2.47 | 4.15 | 0.43 | 0.38 | 85 |
| 601-634 | 3/4" | 2.94 | 2.70 | 4.15 | 0.55 | 0.50 | 150 |
| 601-635 | 1" | 3.50 | 3.19 | 5.00 | 0.81 | 0.50 | 180 |
| 601-636 | 1-1/4" | 3.90 | 3.64 | 5.98 | 0.98 | 0.50 | 210 |
| 601-637 | 1-1/2" | 4.42 | 3.88 | 7.76 | 1.25 | 0.50 | 320 |
| 601-638 | 2" | 5.04 | 4.09 | 7.76 | 1.50 | 0.62 | 440 |

WARNING: This product can expose you to chemicals including diisononyl phthalate (DINP), which is known to the State of California to cause cancer, birth defects or other reproductive harm. For more information go to www.P65Warnings.ca.gov.