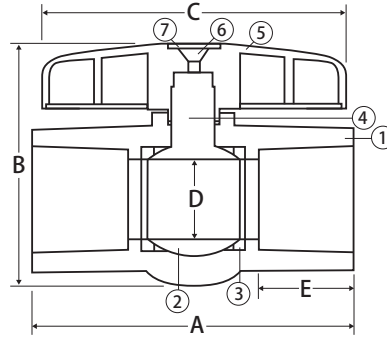


# CPVC Ball Valve

Solvent Connection, Copper Tube Size, 150 WOG

## S-605



### FEATURES

- Standard CTS
- Large Port
- For Hot/Cold Water Systems
- Quarter-Turn Operation
- Easy Installation
- Bone Color
- Wetted Surfaces Contain Less than .25% Lead Content

### CERTIFICATIONS/APPROVALS

- NSF 61-8 Certified
- NSF 61 - Annex G
- NSF 372
- IAPMO PS 112-99
- ASTM F1970

### PRESSURE/TEMPERATURE RATING

- Max Service Temperature 180°F, 150 PSI @ 73°F Continuous
- Min Temperature 32°F

### MATERIALS

No.	Part	Material
1	Body	CPVC
2	Ball / Stem	CPVC
3	Seat (2)	PTFE
4	O-ring	EPDM
5	Handle	ABS Plastic
6	Bolt	Steel - Zinc Plated
7	Cap	ABS Plastic

### DIMENSIONS

Part No	Size	A	B	C	D	E
210-603	1/2"	2.68	2.20	2.44	0.49	0.75
210-604	3/4"	3.14	2.69	2.76	0.72	0.87
210-605	1"	3.53	3.11	3.00	0.70	1.00
210-606	1-1/4"	4.03	3.39	3.53	0.98	1.11
210-607	1-1/2"	4.61	3.72	4.10	1.18	1.26
210-608	2"	5.35	4.34	4.81	1.33	1.50