

Lead Free Bronze Y-pattern Check Valve

Jomar VALVE LEAD FREE

Solder Connection • 300 WOG • Class 150



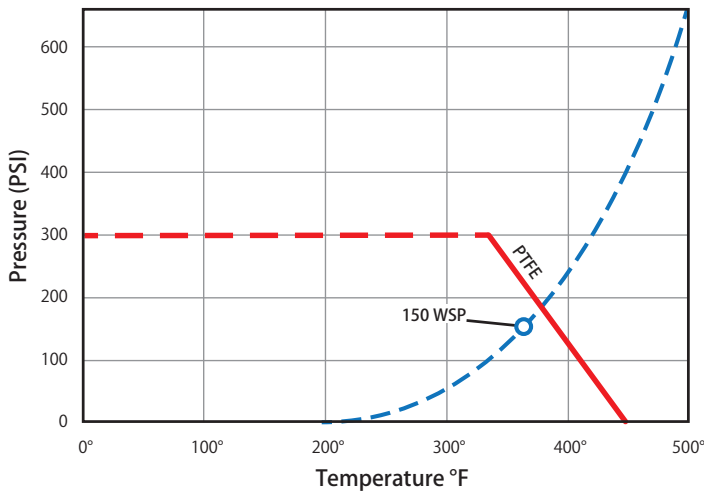
Features

- Can be installed in the vertical or horizontal positions
- Wetted surfaces contain less than .25% lead content
- Bronze construction, naturally dezincification resistant

Approvals

- MSS SP-80
- ASME/ANSI B16.18
- Truesdail Certified NSF/ANSI/CAN 61 & 372

Valve Seat Rating 300 WOG - 150 WSP

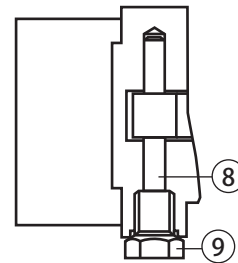
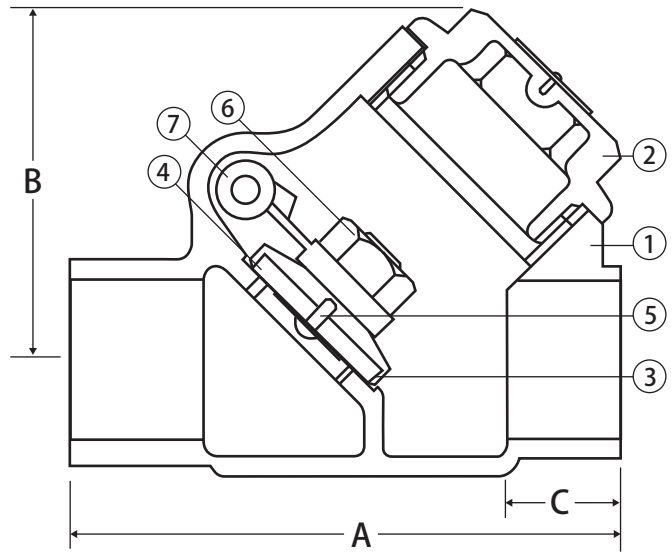


Install 5 pipe diameters minimum downstream from pump discharge or changes in direction to avoid flow turbulence. Flow straighteners may be required in extreme cases.

Note: On pump discharge, the preferred check valves are: inline, spring assisted, center-guided, lift checks.

Jomar Check Valves may be installed in both horizontal and vertical lines with upward flow or in an intermediate position. They will operate satisfactory in a declining plane (no more than 15°).

Warning: Do Not Use For Reciprocating Air Compressor Service



Material Specifications

No.	Part	Materials
1	Body	Lead Free Bronze
2	Cap	Lead Free Bronze
3	Disc	Lead Free Bronze
4	Seat	PTFE
5	Seat Screw	Lead Free Bronze
6	Seat Nut	Lead Free Bronze
7	Hinge Arm	Lead Free Bronze
8	Hinge Pin	Lead Free Bronze
9	Hinge Screw	Lead Free Bronze

Dimensions

Part No.	Size	A	B	C
105-403G	1/2"	2.60	1.77	0.50
105-404G	3/4"	3.39	1.97	0.75
105-405G	1"	4.09	2.28	0.91
105-406G	1-1/4"	4.72	2.67	0.97
105-407G	1-1/2"	5.39	2.95	1.09
105-408G	2"	6.69	3.70	1.34