

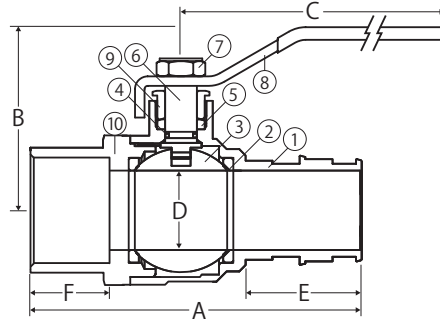
# Lead Free Brass Ball Valve

2 Piece, Solder x Expansion Pex Connection, Stainless Steel Trim, 400 WOG

**S-422G**



\*Also Available in T-Handle



### FEATURES

- Dezincification Resistant Brass Alloy
- Gland Follower and Single O-Ring Stem Design
- Blow-Out Proof Stem
- 100% Leak Tested
- IAPMO Certified - NSF 61 & NSF 372 & NSF 14 Certified
- ASTM F1960
- Wetted Surfaces Contain Less than .25% Content

### CERTIFICATIONS/APPROVALS

- ASTM F1960
- IAPMO Certified (3/4")
  - NSF 61-8
  - NSF 372
  - Uniform Plumbing Code (cUPC)
    - IAPMO/ANSI Z1157-2014
    - NSF/ANSI 14-2014
- ASME/ANSI B16.18

### PRESSURE/TEMPERATURE RATING

- Body Rated to 400 WOG
- Expansion Connection Rated to 150 WOG up to 200°F

### MATERIALS

No.	Part	Material
1	Body	Lead Free Brass - C46500
2	Seat	PTFE
3	Ball	304 Stainless Steel
4	O-ring	Buna-N
5	Packing	PTFE
6	Stem	304 Stainless Steel
7	Handle Nut	Steel - Chrome Plated
8	Handle	Steel - Chrome Plated
9	Packing Nut	Brass - C37700
10	End Connection	Lead Free Brass - C46500

### DIMENSIONS

Part No	Size	A	B	C	D	E	F
104-533PG	1/2"	2.4	1.19	3.35	0.39	0.71	0.5
104-534PG	3/4"	2.84	1.81	3.35	0.61	0.94	0.75
104-535PG	1"	3.6	2.09	4.29	0.81	-	-