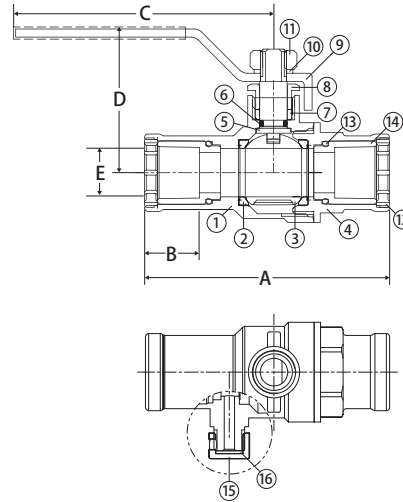


Lead Free Brass Ball Valve

CPVC, 2 Piece, Full Port, Solvent Connection with Drain, 150 WOG

S-165G



FEATURES

- Dezincification Resistant Brass Alloy
- CTS Connection
- For Hot/Cold Water Systems
- Drain Tap 1/8" Orifice
- Quarter-Turn Operation
- CPVC End Connection Inserts

CERTIFICATIONS/APPROVALS

- IAPMO Certified - NSF 61 & NSF 372 & NSF 14 Certified
- Conforms to ASTM D2846

PRESSURE/TEMPERATURE RATING

- 150 PSI at 73°F Continuous
- Temp range: 33°F to 180°F

MATERIALS

No.	Part	Material
1	Body	Lead Free Brass - C46500
2	Seat	TFM 1700
3	Ball	Chrome Plated LF Brass - C46500
4	End Connection	Lead Free Brass - C46500
5	Stem	Brass
6	O-Ring	FPM
7	Packing	TFM 1700
8	Packing Nut	Brass
9	Handle	Steel
10	Lock Washer	Stainless Steel
11	Nut	304 Stainless Steel
12	Plug Cap	Lead Free Brass - C46500
13	O-Ring	EPDM
14	Connector	CPVC
15	Nut	Brass
16	Gasket	EPDM

DIMENSIONS

Part No	Size	A	B	C	D	E
150-663G	1/2"	3.11	0.67	3.74	1.78	0.59
150-664G	3/4"	3.62	0.87	3.99	1.94	0.79
150-665G	1"	4.48	1.06	4.14	2.39	0.98