

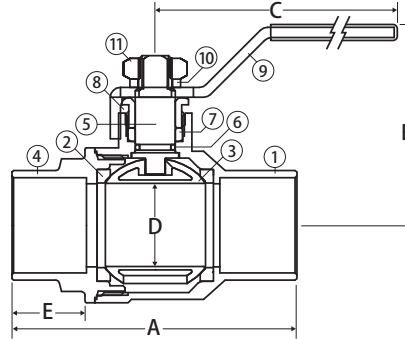
Lead Free Brass Ball Valve

2 Piece, Full Port, Solder Connection, 600 WOG

S-150G



CRN# 0C17996.52



FEATURES

- Dezincification Resistant Brass Alloy
- Gland Follower and Single O-Ring Stem Design
- Blow-Out Proof Stem
- IAPMO Certified - NSF 61 & NSF 372 Certified
- Wetted Surfaces Contain Less than .25% Content

CERTIFICATIONS/APPROVALS

- UL Listed
 - VQGU - Trim & drain (1/2" - 2")
 - MHKZ - Manual valves
 - YQNZ - Compressed gas shut-off valves
 - YRBX - Flammable liquid shut-off valves
 - YRPV - Gas shut-off valves
 - YSDT - LP gas shut-off valves

IAPMO Certified

- NSF 61-8
- NSF 372

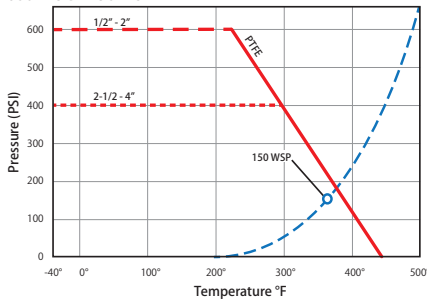
MSS SP-110

ANSI B16.18

FM Approval (1/2"-2")

VALVE SEAT RATING

600 WOG - 150 WSP



MATERIALS

No.	Part	Material
1	Body	Lead Free Brass - C46500
2	Seat (2)	PTFE
3	Ball	304 Stainless Steel
4	End Connection	Lead Free Brass - C46500
5	Stem	Brass - 37700
6	O-ring	Viton
7	Packing	PTFE
8	Packing Gland	Brass - 37700
9	Handle	Steel
10	Lock Washer	Steel
11	Handle Nut	304 Stainless Steel

DIMENSIONS

Part No	Size	A	B	C	D	E
150-113G	1/2"	1.97	1.78	3.94	0.59	0.5
150-114G	3/4"	2.74	1.94	3.94	0.79	0.75
150-115G	1"	3.35	2.2	4.33	0.98	0.88
150-116G	1-1/4"	3.78	2.54	5	1.26	0.96
150-117G	1-1/2"	4.42	3	6.18	1.57	1.1
150-118G	2"	5.34	3.34	6.18	1.97	1.34
150-119G	2-1/2"	6.24	4.78	9.45	2.56	1.48
150-120G	3"	7.11	5.17	9.45	2.95	1.65
150-121G	4"	9.11	5.81	9.45	3.9	2.17