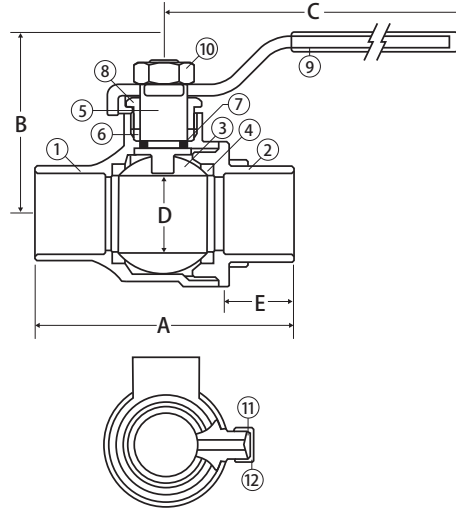


Lead Free Brass Ball Valve

2 Piece, Full Port, Solder Connection, Stainless Steel Trim with Drain, 600 WOG

S-110G



FEATURES

- Dezincification Resistant Brass Alloy
- Gland Follower and Single O-Ring Stem Design
- Blow-Out Proof Stem
- IAPMO Certified - NSF 61 & NSF 372 Certified
- Wetted Surfaces Contain Less than .25% Content

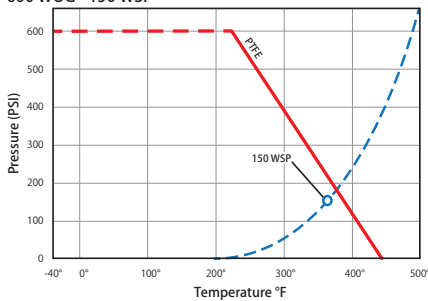
CERTIFICATIONS/APPROVALS

- IAPMO Certified
 - NSF 61-8
 - NSF 372
 - Uniform Plumbing Code (cUPC)
 - IAPMO/ANSI Z1157-2014
 - NSF/ANSI 14-2014

MSS SP-110
ASME/ANSI B16.18

VALVE SEAT RATING

600 WOG - 150 WSP



MATERIALS

No.	Part	Material
1	Body	Lead Free Brass - C46500
2	End Connection	Lead Free Brass - C46500
3	Ball	304 Stainless Steel
4	Seat (2)	PTFE
5	Stem	304 Stainless Steel
6	Packing	PTFE
7	Stem O-ring	Buna-N
8	Packing Gland	Lead Free Brass - C46500
9	Handle	Steel - Chrome Plated
10	Handle Nut	Steel - Chrome Plated
11	Flat Washer	Buna-N
12	Bleeder Cap	Lead Free Brass - C46500

DIMENSIONS

Part No	Size	A	B	C	D	E
100-643G	1/2"	1.93	1.54	3.31	0.5	0.5
100-644G	3/4"	2.76	1.97	4.65	0.79	0.75
100-645G	1"	3.31	2.13	4.65	1	0.86