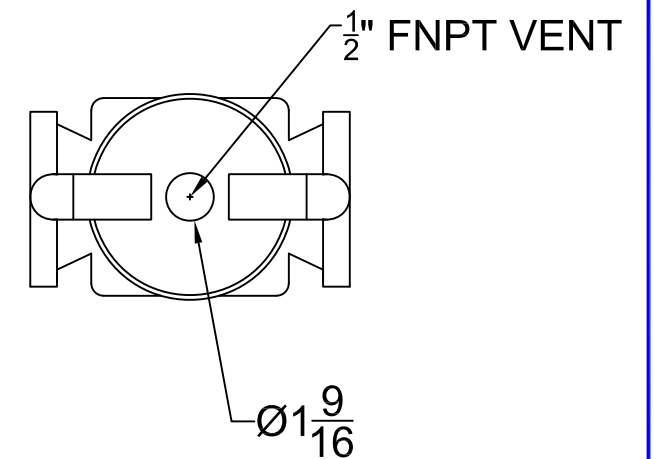
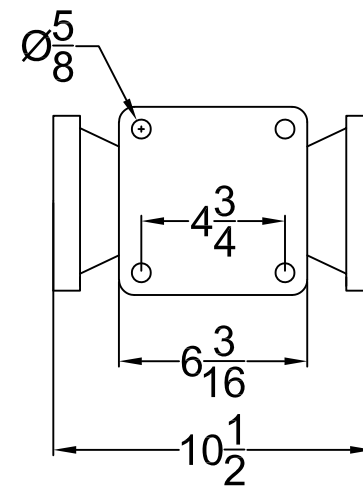
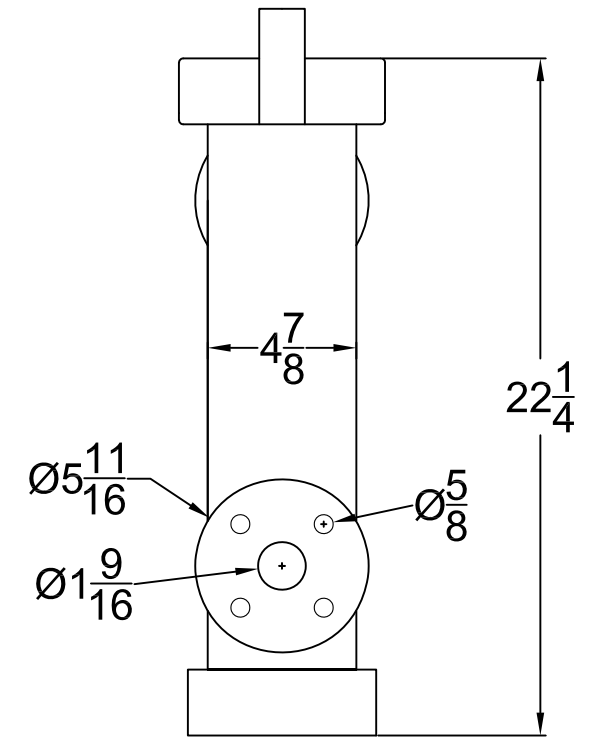
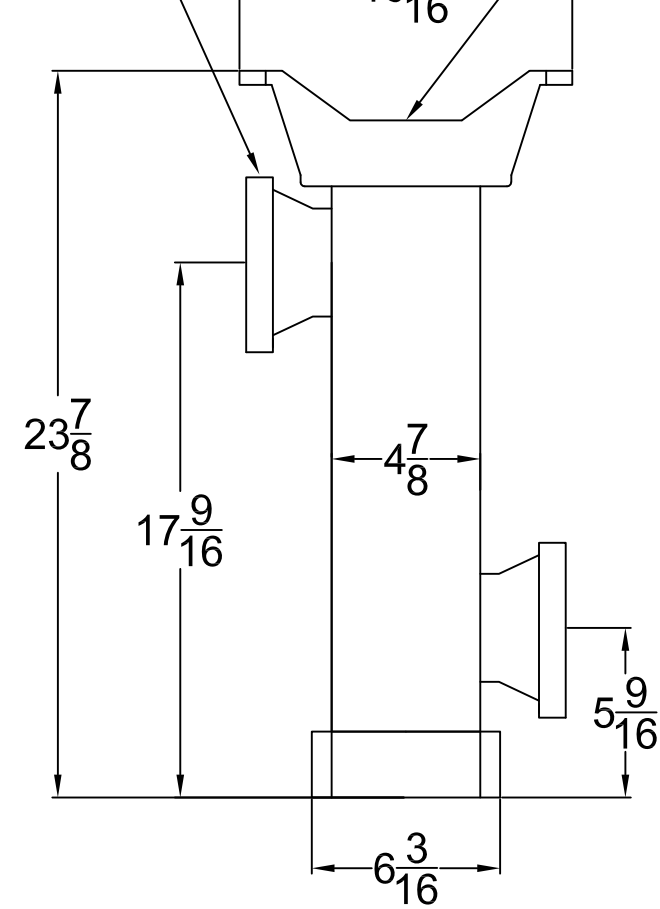


1 1/2" FLANGE INLET
1" FNPT VENT



NOTES:

1. PRM FILTRATION IS ONLY A SUPPLIER OF THIS EQUIPMENT.
2. PRM IS NOT RESPONSIBLE FOR SPECIFYING THIS PRODUCT FOR THE APPLICATION.
3. BUYERS AND/OR USER SHOULD REQUIRE AN ENGINEER FOR ENSURING THAT THE PROPER EQUIPMENT IS INSTALLED FOR THE APPLICATION INCLUDING ALL PROPER SAFETY PRACTICES.
4. PRM IS NOT RESPONSIBLE FOR ANY DAMAGES TO PROPERTY AND/OR INJURY/DEATH RELATED TO IMPROPER INSTALLATION. FILTRATION EQUIPMENT INSTALLATIONS SHOULD ALWAYS INCLUDE ANCILLARY SAFETY DEVICES AND/OR OPERATIONAL PRACTICES.
5. IT IS AGREED THAT PRM NOR ITS OWNERS HAVE LIABILITY WITH THE INSTALLATION AND OPERATION OF THESE OR OTHER PRODUCTS PURCHASED FROM PRM.



Product Recovery Management Inc.
This information is proprietary and confidential. No copies or reproductions allowed without the express written consent of Product Recovery Management, Inc.

CLIENT:

PROJECT TITLE:

SHEET TITLE:
PC4-PPH-F40P0.8

QUOTE NUMBER:
DATE: 06/10/22

PROJECT NUMBER:
DRAWN BY:

NO.	REVISION	DATE

DRAWING NUMBER: