



TECHNICAL DATA

Fluid connections	1/2"
Air connection	1/4"
Max. Flow rate	55 lt/min
Max air pressure	8 bar
Max delivery head	80 m
Max Suction Lift Dry	5 m
Max Suction Lift Wet	9,8 m
Max Solid passing	3,5 mm
Noise level:	70 dB
Max Viscosity:	20.000 cps
Displacement per Stroke:	140 CC ~

POLYPROPYLENE



Ex EX II 3/3 GD C IIB T 135 °C

Displacement per stroke may vary based on suction condition, discharge head, air pressure and fluid type.

WEIGHT

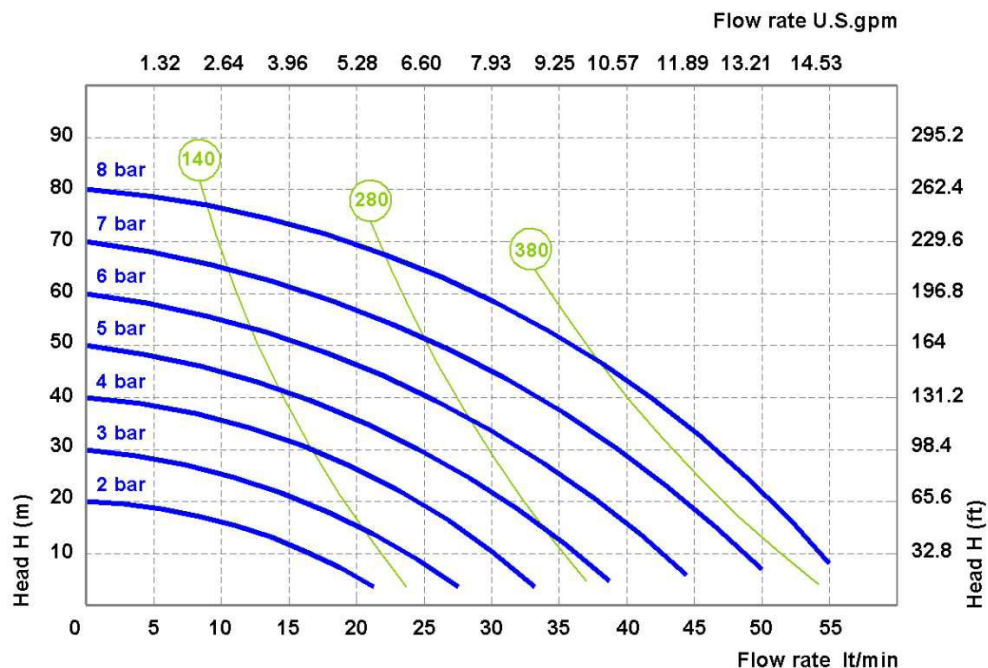
4 KG

TEMPERATURE

-4°C

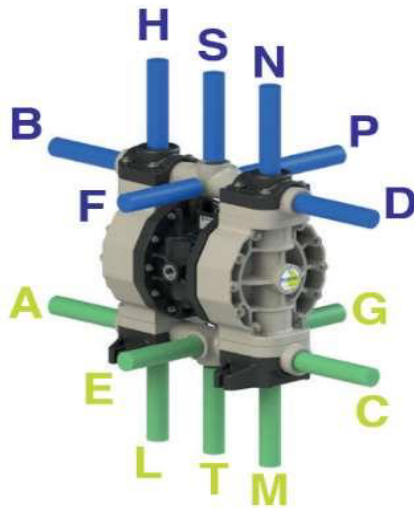
+65°C

PERFORMANCE



COMPOSITION

MODEL	CASING	DIAPHRAGM	BALLS	SEATS	GASKET	CONNECTIONS	ATEX	PORTS
PO055	P = PP	HT = HYTREL+PTFE MT = SANTOPRENE+PTFE H = HYTREL M = SANTOPRENE D = EPDM N = NBR	T = PTFE S = SS D = EPDM N = NBR	P = PP S = SS Z = PE	D = EPDM V = VITON N = NBR T = PTFE	1 = BSP 2 = FLANGED 5 = NPT	-- ZONE 2	AB = STANDARD



AVAILABLE CONNECTIONS

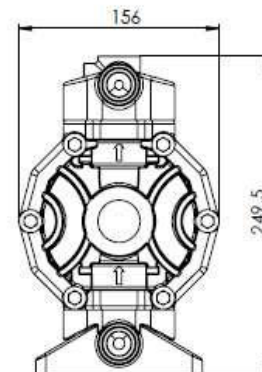
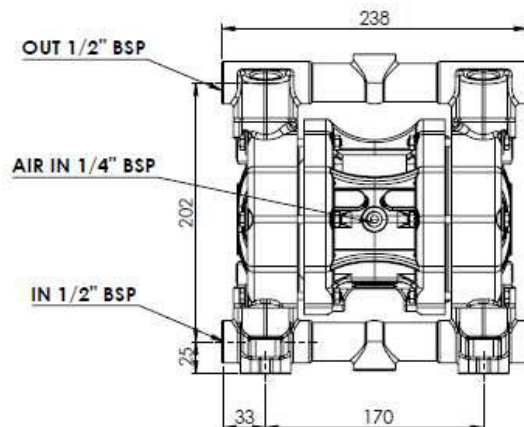
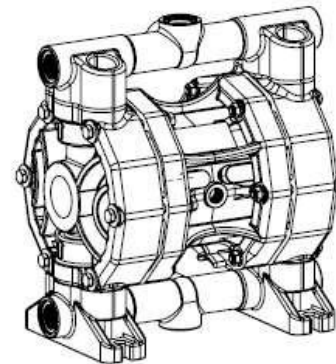
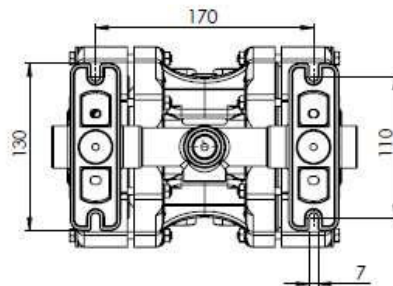
DELIVERY: B-D-F-P-S-H-N

SUCTION: A-C-E-G-T-L-M

PACKING DIMENSION

CARTON BOX: 32 x 20 x 31 cm

DIMENSIONS



Technical data are approximate and not binding for the manufacturer who reserves the right to change them without notice at any time.