

Centrifugal fans by PRM are used for a variety of purposes in the Environmental Industry. For remediation, PRM uses blowers typically in ranged of 100-1500cfm for low pressure applications limited to approximately 40" WC or less for pressure applications.

Typical uses - Air Stripper Fans, Bio-Sparging, Low Vacuum Soil Vapor Extraction, BioGas Removal, Vapor Mitigation.

Standard Motors are TEFC, IEC Frame motors for Class 1, Division 2 Hazardous Location Ratings. Available with TEXP motors as required.

Optimized Design:
Designed for more aerodynamic, more efficient stable airflow with low pressure drop. Balanced for noise reduction. Direct drive for increased efficiency, decreased maintenance

Features:

- Advanced backward curved wheel, FEA-aided design for reliability
- Fully welded, high strength steel. Safer, leak-proof hub and wheel because of all steel continuous welding method
- High efficiency range and non-overloading; Max. load surpasses 35% of limit speed for long term continuous operation



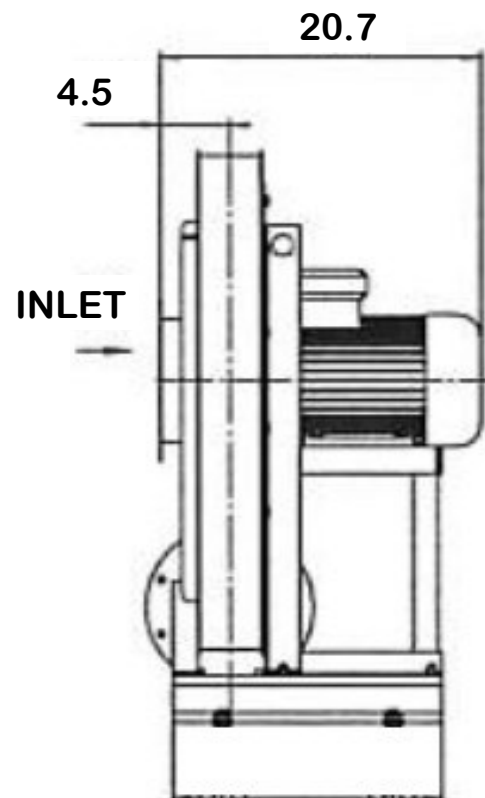
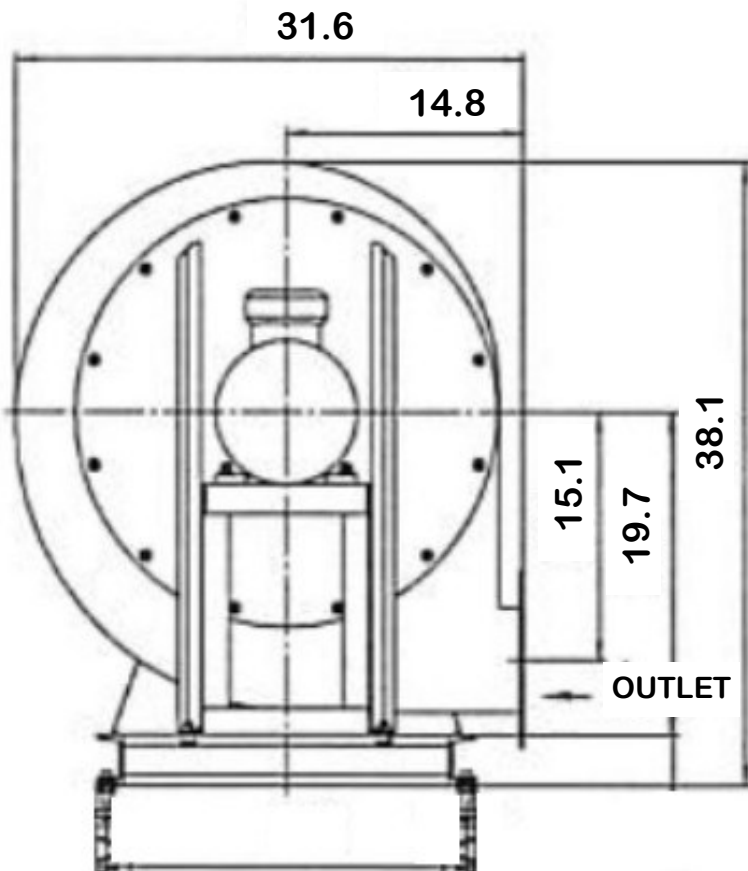
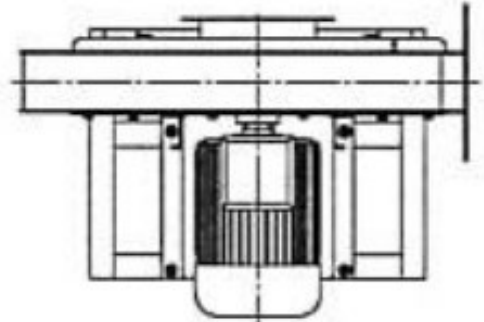
MODELS:

BLYFBCSE560D255L90GT75 — CARBON STEEL CASING, ALUMINUM WHEEL, 7.5 HP MOTOR

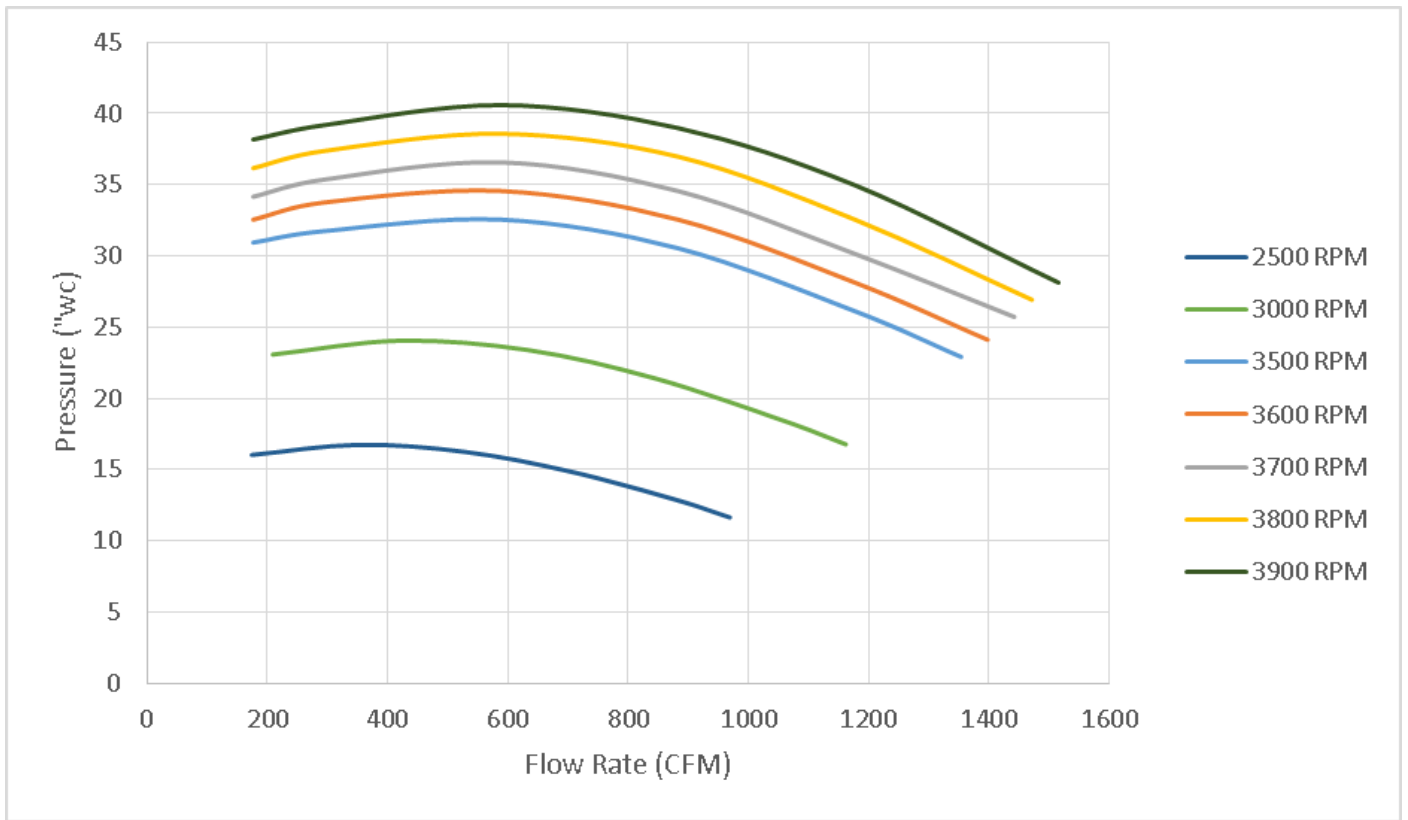
BLYFBCSE560D275L90GT10—CARBON STEEL CASING, ALUMINUM WHEEL, 10 HP MOTOR

BLYFBCSE560D422L90GT—STAINLESS STEEL CASING, ALUMINUM WHEEL, SIZED FOR 3 HP MOTOR

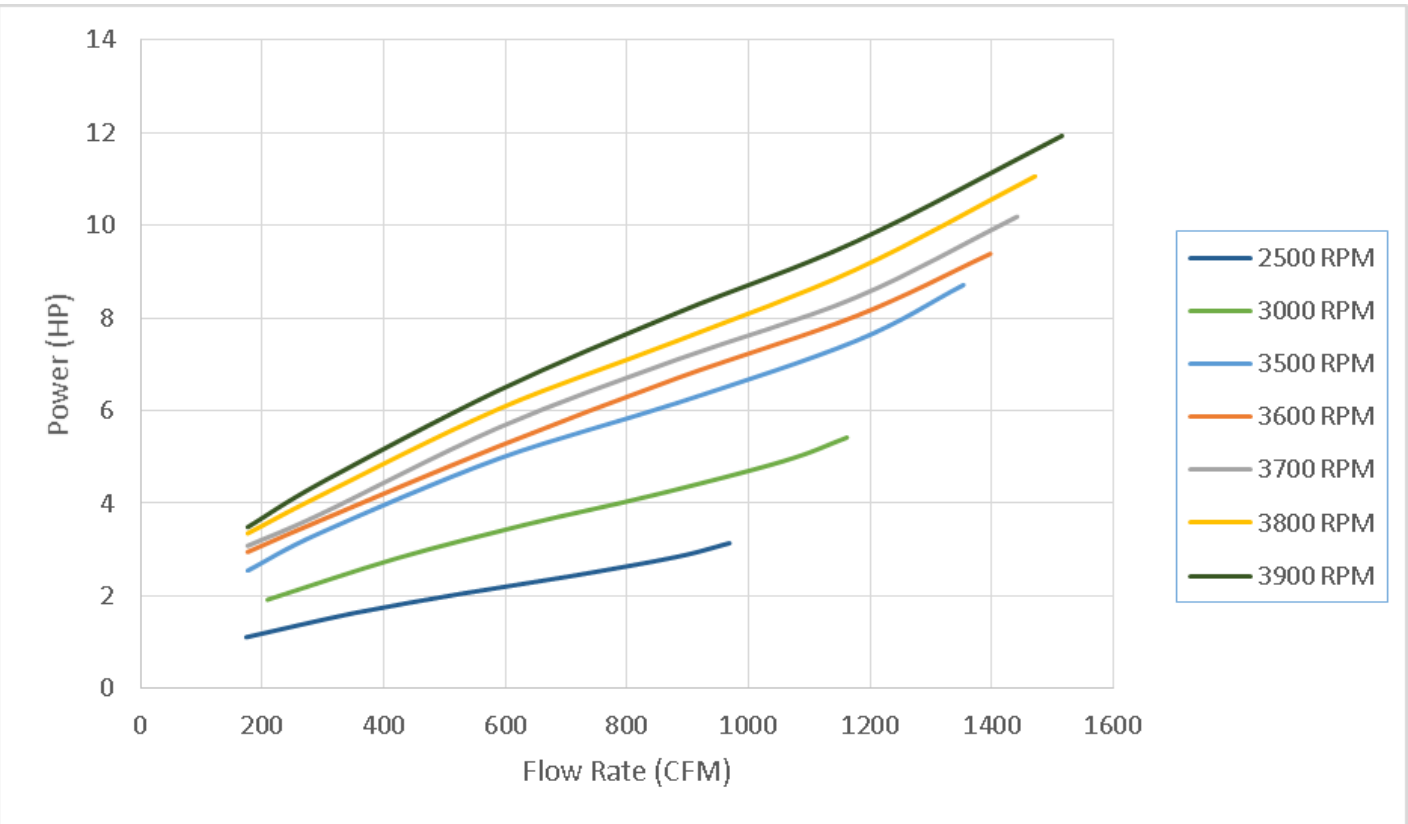
BLYFBCSE560D24L90GT— STAINLESS STEEL CASING, ALUMINUM WHEEL, SIZED FOR 5 HP MOTOR



Infinair Series Centrifugal Fans/ Pressure Blowers



YFBCS-E



888-TREAT-IT • www.prmfiltration.com • sales@prmfiltration.com