

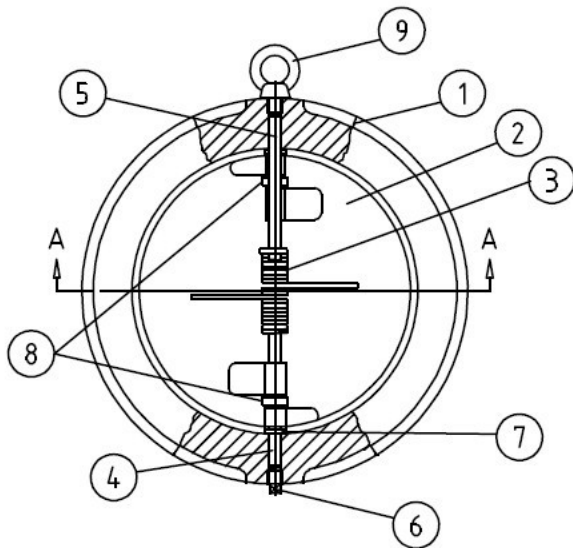
**Check Valves are automatic shut-off valves that are commonly used for preventing back-flow or drainage in a piping system.**

- Low spring pressure requirements:
- Short flow path and smooth body and disc design creates low pressure drop across valve
- Made from 304 SS—CF8M for body
- 304 Stainless Steel for all alloy internals
- Viton Body Seat  
-20° F to 250° F Temperature Range
- Spring and Body Bearings: PTFE
- Minimum cracking pressure:  
3" WC (0.11 psig)
- ANSI 150lb flange rating
- 225 psi shell pressure rating
- 165 psi seal pressure rating
- Available in 2" - 8" sizes
- Long Life—Discs equipped with bumpers to reduce wear and tear on internal components.



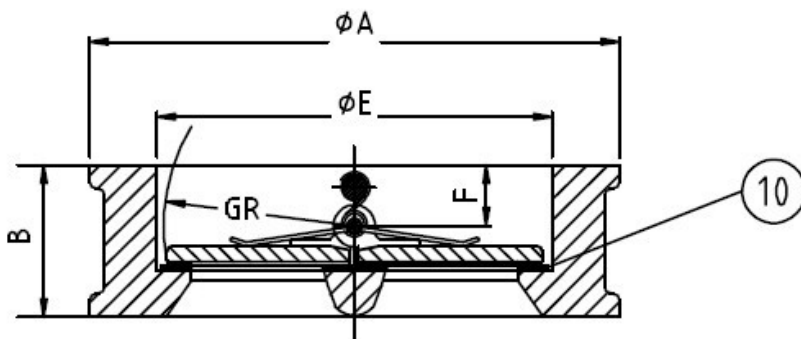
Size	Part Number
2 Inch	SS304CVDPV0200
2-1/2 Inch	SS304CVDPV0250
3 Inch	SS304CVDPV0300
4 Inch	SS304CVDPV0400
6 Inch	SS304CVDPV0600
8 Inch	SS304CVDPV0800

# Stainless Steel Wafer Check Valves



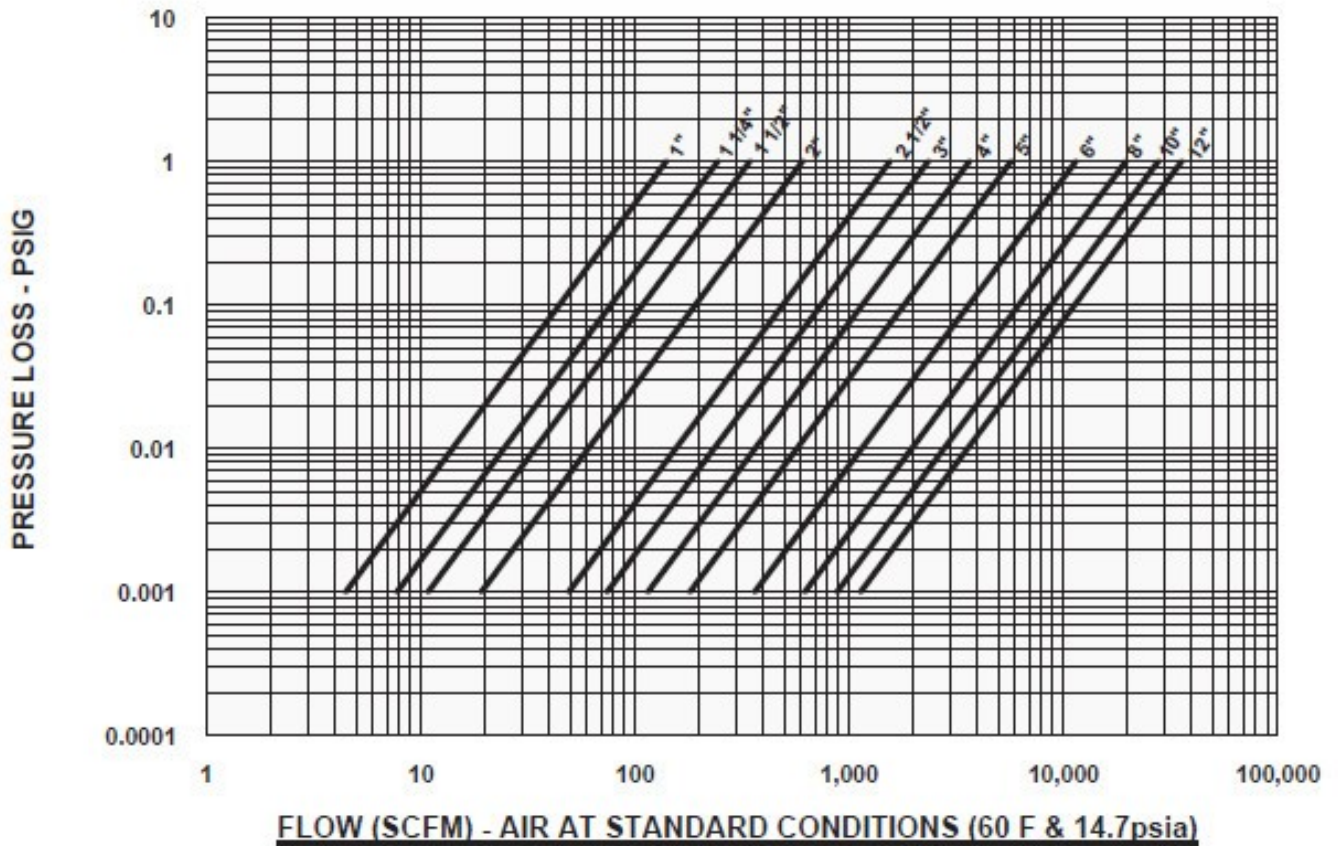
10	BODY SEAT	BUNA-N	1	
9	EYE BOLT	CARBON STEEL	1	DN200 and larger have EYE BOLT
8	SPRING BEARING	P.T.F.E.	2	
7	BODY BEARING	P.T.F.E.	2	
6	PLUG	CARBON SEEL	4	
5	STOP PIN	SS316	1	
4	HINGE PIN	SS316	1	
3	SPRING	SS316	2	
2	PLATE	CF8M	2	
1	BODY	CF8M	1	
NO.	PARTS NAME	MATERIAL	QTY	
TEST PRESSURE	SHELL			SEAL
	HYDROSTATIC AIR	225PSI		165PSI
STANDARD	DESIGN CODE	API594		
	INSPECTION & TEST	API598		
	END STANDARD	ANSI 150LB		
	FACE TO FACE	DIN 3202K3		
TITLE : DUAL PLATE WAFER TYPE CHECK VALVE DN50-DN300				
APPROVED		DWG NO.		REV
CHECKED		H77X-150LB		A
DRAWN				
DESIGNED		SCALE	UNIT	mm

SIZE		ØA		ØE		B		GR		F	
mm	Inch	mm	Inch	mm	Inch	mm	Inch	mm	Inch	mm	Inch
50	2"	102	4.02	65	2.56	43	1.69	28.8	1.13	19	0.75
65	2.5"	121	4.76	80	3.15	46	1.81	36.1	1.42	20	0.79
80	3"	133	5.23	94	3.7	64	2.52	43.4	1.71	28	1.1
100	4"	171	6.73	117	4.61	64	2.52	52.8	2.08	27	1.06
125	5"	193	7.6	145	5.71	70	2.76	65.7	2.59	30	1.18
150	6"	219	8.62	170	6.69	76	2.99	78.6	3.09	31	1.22
200	8"	276	10.87	224	8.82	89	3.5	104.4	4.11	33	1.3
250	10"	337	13.27	265	10.43	114	4.49	127	5	50	1.97
300	12"	406	15.98	310	12.21	114	4.49	148	5.83	43	1.69



- PRM PART NUMBERS:  
 2 INCH: SS304CVDP200  
 2.5 INCH: SS304CVDP250  
 3 INCH: SS304CVDP300  
 4 INCH: SS304CVDP400  
 6 INCH: SS304CVDP600

888-TREAT-IT • [www.prmfiltration.com](http://www.prmfiltration.com) • [sales@prmfiltration.com](mailto:sales@prmfiltration.com)



888-TREAT-IT • [www.prmfiltration.com](http://www.prmfiltration.com) • [sales@prmfiltration.com](mailto:sales@prmfiltration.com)