

Thermal Dispersion Mass Flow Meter

304 SS Thermal Mass Flow Meters are designed on the basis of thermal dispersion, using constant differential temperature to measure gas flow. The meter contains two platinum resistance temperature sensors, one of which is used conventionally as a temperature sensor, the other is used as a heater. The thermal principle operates by monitoring the cooling effect of a gas stream as it passes over a heated sensor. The temperature sensor monitors the actual process values while the heater is maintained at a constant differential temperature above this by varying the power consumed by the sensor. The greater the gas velocity, the greater the cooling effect and power required to maintain the differential temperature. The measured heater power is therefore a measure of the gas mass flow rate.

Specifications:

- Size: 3"-12" Insertion or Flanged Flow Meter
- Temp. Range: -20°F to 350° F
- Max. Pressure: 200 psig
- Body and Sensor Material: 304 SS
- Power: 24VDC
- Signal Output: 4-20mA, configuring with HART interface for integration
- Digital Design, 4 Line LCD Display
- Accuracy: $\pm 1.0\%$
- Response time: 1 sec.
- Housing: IP65 and Explosion Proof Ratings for Hazardous Locations
- Good Vibration resistance and long service life. No moving parts in transducer to effect measurement accuracy.
- Applications: BioGas, Environmental Remediation, Industrial Process



Insertion or Flanged type available

Size	Measure Range
3 Inch	0-1059 SCFM
4 Inch	0-2590 SCFM
6 Inch	0-3708 SCFM
8 Inch	0-5886 SCFM
10 Inch	0-10006 SCFM
12 Inch	0-14714 SCFM

Thermal Dispersion Mass Flow Meter

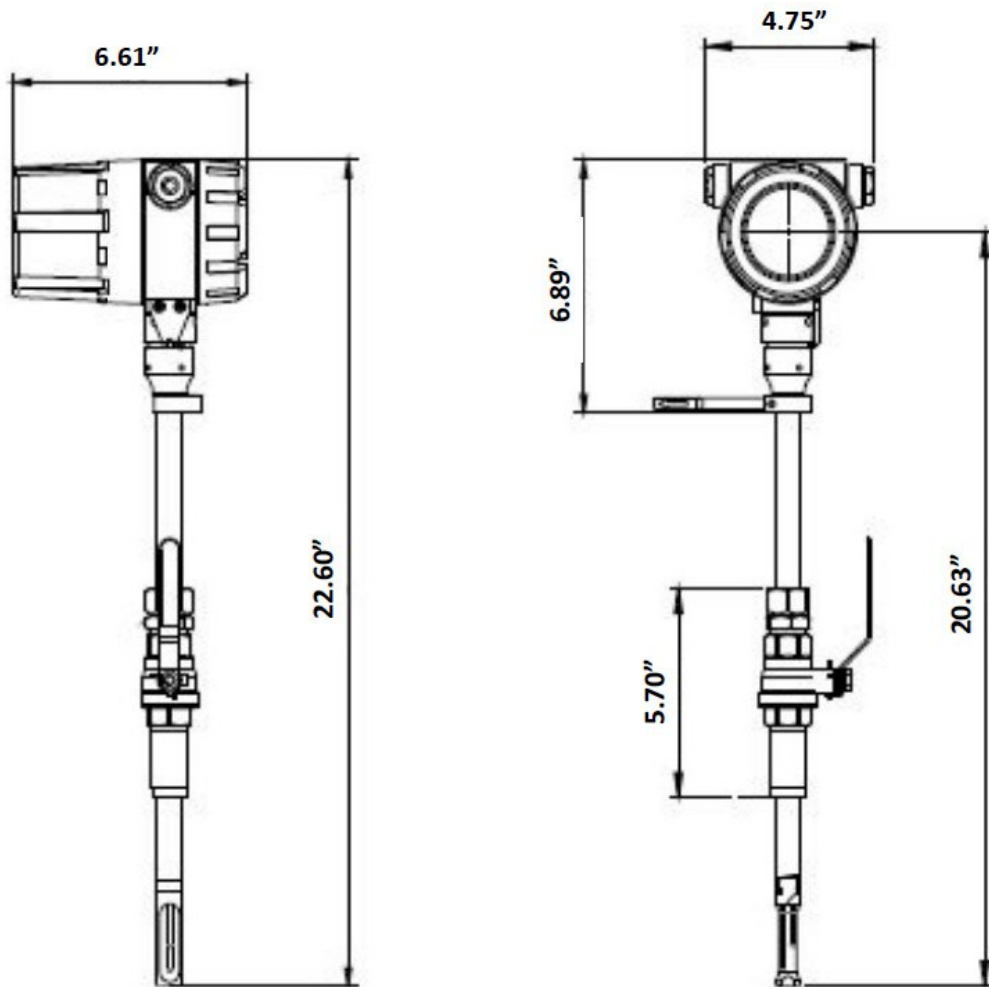


PRM Part Numbers, Insertion Type

- 3" - FMPHILEMON300105924VDX
- 4" - FMPHILEMON400164824VDX
- 6" - FMPHILEMON600370824VDX
- 8" - FMPHILEMON800588624VDX
- 10"- FMPHILEMON10001000624VDX
- 12"- FMPHILEMON12001471424VDX

PRM Part Numbers, Flanged

- 3" - FMPHILEMOF300105924VDX
- 4" - FMPHILEMOF400164824VDX
- 6" - FMPHILEMOF600370824VDX
- 8" - FMPHILEMOF800588624VDX
- 10"- FMPHILEMOF10001000624VDX
- 12"- FMPHILEMOF12001471424VDX



888-TREAT-IT • www.prmfiltration.com • sales@prmfiltration.com