

Multi-Jet Nylon Water Meters



Nylon Multi-Jet Mechanical Water Totalizing Meters display total water usage in gallons. Available in a 1/2", 3/4" and 2" and include NPT couplings.

Features:

- Type: Nylon Water Meter, NPT Couplings at both ends, Multi-Jet.
- Mounting: Horizontal Inline mount with dial facing upward.
- Totalizer Measuring in Gallon, GPM
- Accuracy: +/-1.5% within normal flow rate range as per AWWA Standard
- Max. Reading: 9,999,999, The last digit has a multiplier of 100 gallons.
- Max. working pressure: 150 psi
- Max temperature: 104°F
- Pressure drop: 0.580 psi @ 5 GPM, 2.750 psi @ 10 GPM

Specifications:

- Conforms to AWWA C708, for clean water only.
- Class: B
- Accuracy: Transitional Flow: $\pm 5\%$
Nominal Flow: $\pm 2\%$



Materials:

Body: Nylon

Couplings: Nylon

Measuring Chamber: Polyethylene

Seals: Silicone

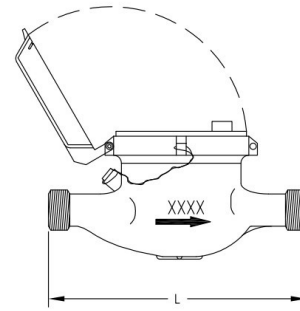
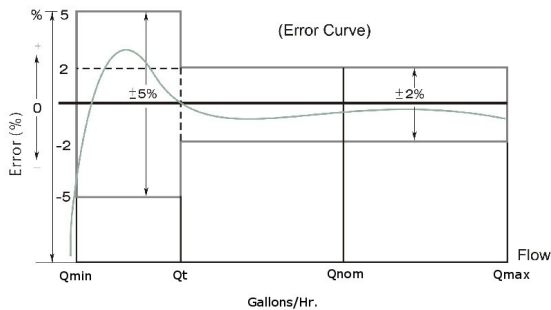
PRM Part Numbers:

WM050NYVX: 1/2 Inch NPT

WM075NYVX: 3/4 Inch NPT

WM200NYVX: 2 Inch NPT

Accuracy Curve



WM050NYVX: 1/2 Inch Nominal Diameter, NPT Couplings

Length: 7 Inches
 Length with NPT Adapters: 10.5 Inches
 Height: 4.23 Inches
 Weight: 1.75 lbs.
 Minimum Flow: 0.25 GPM
 Transitional Flow: 1.0 GPM
 Nominal Flow: 5.0 GPM
 Max Flow: 10 GPM



WM075NYVX: 3/4 Inch Nominal Diameter, NPT Couplings

Length: 7.5 Inches
 Length with NPT Adapters: 11.5 Inches
 Height: 4.23 Inches
 Weight: 1.8 lbs.
 Minimum Flow: 0.5 GPM
 Transitional Flow: 2.0 GPM
 Nominal Flow: 10.0 GPM
 Max Flow: 20 GPM



WM200NYVX: 2 Inch Nominal Diameter, NPT Couplings

Length: 13 Inches
 Length with NPT Adapters: 18.5 Inches
 Height: 6.5 Inches
 Weight: 4.8 lbs.
 Minimum Flow: 2.0 GPM
 Transitional Flow: 8.0 GPM
 Nominal Flow: 65.0 GPM
 Max Flow: 130 GPM



Information in this drawing is provided for reference only.