

## 8 Inch Totalizing Irrigation Water Meter w/ Pulse Output



**Cast Iron Flanged Water Meters for wastewater or irrigation indicating flow totalization of water with pulse output. Paddlewheel style water meter tolerates moderate particulate loads.**

### Features:

- Pulse Output Components
- Simplicity in operation and installation make the paddlewheel flowmeter popular in applications such as irrigation, aquaculture, aquariums, and swimming pools.
- Paddlewheel flowmeters use the mechanical energy of the fluid to rotate a paddlewheel in the flow stream. Paddles on the rotor are inserted into the flow to transform energy from the flow stream into rotational energy. When the fluid moves faster, the paddlewheel spins proportionally faster.
- Meter must be filled with water to accurately measure flow

### Specifications:

- Paddle Wheel Style Irrigation Water Meter
- 150# Flange
- Pulse Rate: 1000 gal/pulse
- Accuracy Class: B  
Transitional Flow:  $\pm 5\%$   
Nominal Flow:  $\pm 2\%$
- 6 Digit Mechanical Roller Counter
- Maximum Water Temperature: 140°F
- Maximum Water Pressure: 150 psi
- Mounting Orientation: Horizontal

### Materials:

- Body: Cast Iron Body, Epoxy Coated
- Measuring Components: Polyethylene
- Seals: Viton



### PRM Part Number: WMIS800PVX

**8" Flanged Paddle Wheel Irrigation Water Meter**

Connection: 8 Inch 150# Flange

Pulse Rate: 1000 gallons/pulse

Flow Specifications:

Conforms to AWWA Standards

Low Flow: 40 GPM

Normal Flow: 60-4500 GPM

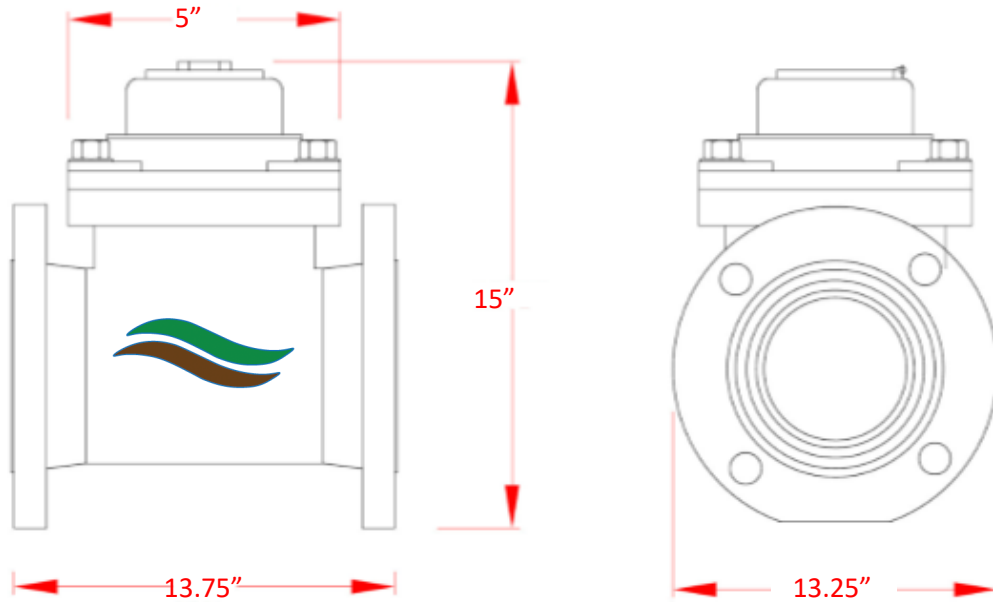
Continuous Flow: 3500 GPM

High Flow: 4500 GPM

# 8 Inch Irrigation Water Meter with Pulse Output



Information in this drawing is provided for reference only.



## WMIS800PVX:

### Materials:

Body: Cast Iron

Measuring Chamber: Polyethylene

Paint: Epoxy Coated

Seal: Viton

Mounting Orientation: Horizontal

Not for use with Potable Water

Connection: 8 Inch 150# Flange

Pulse Rate: 1000 gallons/pulse

Height: 15 Inches

Length: 13.75 Inches

Weight: 106 lbs.

### Flow Specifications:

Conforms to AWWA Standards

Low Flow: 40 GPM

Normal Flow: 60-4500 GPM

Continuous Flow: 3000 GPM

High Flow: 4500 GPM

*PRM meters are ideal for Environmental and Industrial companies to measure process water for environmental treatment, manufacturing, or irrigation. These meters are for any application that does not require potable water measurement and are excluded from federal Lead Free Standards for drinking water.*