

# Schedule 80 PVC Butterfly Valve



## Schedule 80 Butterfly Valve— Handle Type

Butterfly valves are composed of two semi-circular plates hinged on a common spindle. Butterfly valves are widely used because of their capabilities to shut off flow immediately, and allow constant, regular flow. Butterfly valves permit flow in one direction only.



2 , 2-1/2 Inch—  
4 Bolt Pattern

3,4,6 ,8 Inch—  
8 Bolt Pattern

L

### Specifications:

- Available Sizes: 2", 2-1/2", 3", 4", 6", 8" (ANSI)
- Schedule 80, unless specifically stated, ERA PVC is not NSF Certified
- Max. Pressure: 200 PSI @ 73°F

### Materials:

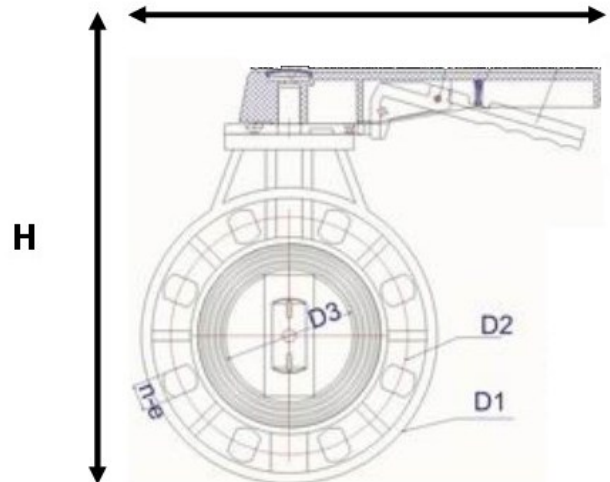
Body, Gate, Locking Plate: PVC

Stem: 410 Stainless Steel

O-Rings, Seat Seal: EPDM

Spring, Pin, Bolt: 304 Stainless Steel

Large and Small Handle: ABS



ERA SCHEDULE 80 PVC BUTTERFLY VALVE						
DIMENSIONS (INCHES)						
Part #	Size	L	H	D1	D2	D3
PVC80BFV200X	2 INCH	7.47	8.79	6.3	4.74	2.19
PVC80BFV250X	2-1/2 INCH	7.44	9.72	7.08	5.49	2.7
PVC80BFV300X	3 INCH	9.39	11.13	7.68	5.49	3.3
PVC80BFV400X	4 INCH	9.43	12.57	8.98	6	4.06
PVC80BFV600X	6 INCH	12.2	15.78	11.24	9.5	5.95
PVC80BFV800X	8 INCH	12.2	18.62	13..49	11.75	7.82

888-TREAT-IT • [www.prmfiltration.com](http://www.prmfiltration.com) • [sales@prmfiltration.com](mailto:sales@prmfiltration.com)