

Single Ear Hose Clamps

Single Ear Pinch Hose Clamps, 304 Stainless Steel

- **Single Ear Design, all stainless steel design**
Single ear hose clamps or pinch clamps are easier to install than worm-drive clamps—crimp the pinch points with pinch-clamp pincers for a secure hold.



Single ear hose clamps or pinch clamps are easier to install than worm-drive clamps—crimp the pinch points with pinch-clamp pincers for a secure hold.

Clamps withstand vibration and temperature changes without loosening. They are for firm plastic and rubber hose and tube.

Single Pinch—Perfect for tight spots, these clamps install quickly because only one side needs to be crimped.

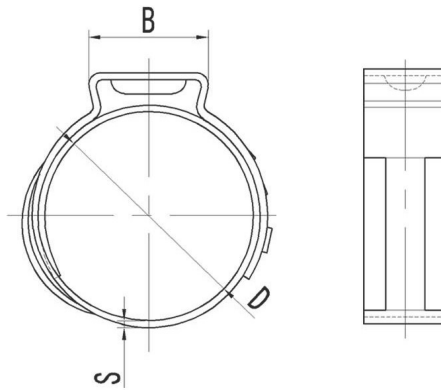
Advantages:

- Light weight, Quick and easy installation, Good sealing and fastening
- Designed with no steps or gaps on inner circumference
- Stainless steel ear clamps resist rust and corrosion and are useful in humid or damp conditions.

Please note - the size of the clamp denotes the Inner Dimension (ID) of the clamp.

Available Sizes:

SINGLE EAR PINCH CLAMP 304 SS	
PRM Part #	Size
HCSEC655X	1/4"/13/64"
HCSEC75X	9/32" / 13/64"
HCSEC85X	5/16" / 13/64"
HCSEC875X	11/32" / 13 /64"
HCSEC955X	3/8" / 13 /64"
HCSEC1055X	9/64' / 13 /64"
HCSEC1197X	15/32" / 9/32"
HCSEC1337X	17/32" / 9/32"
HCSEC1537X	39/64" / 9/32"
HCSEC177X	43/64" / 9/32"
HCSEC1857X	47/64" / 9/32"
HCSEC217X	53/64" / 9/32"
HCSEC2417X	61/64" / 9/32"
HCSEC267X	1-1/32" / 9/32"
HCSEC2867X	1-1/8" / 9/32"
HCSEC3467X	1-23/64" / 9/32"
HCSEC3767	1-31/64" / 9/32"
HCSEC4257X	1-43/64" / 9/32"
HCSEC4857X	1-29/32" / 9/32"
HCSEC567X	2-13/64" / 9/32"
HCSEC687X	2-43/64" / 9/32"
HCSEC717X	2-51/64"/ 9/32"
HCSEC847X	3-5/16 / 9/32"
HCSEC9257X	3-41/64" / 9/32"
HCSEC1117X	4-3/8 / 9/32"
HCSEC12057X	4-3/4" / 9/32"



Width (mm)	Designation	Clamping ranges		B (mm)	S (mm)
		D (mm)	D (in)		
5	RSM SE 6.5/5	6.5	1/4	4.0	0.5
	RSM SE 7/5	7.0	9/32	4.0	0.5
	RSM SE 8/5	8.0	5/16	4.0	0.5
	RSM SE 8.7/5	8.7	11/32	5.5	0.5
	RSM SE 9.5/5	9.5	3/8	5.5	0.5
	RSM SE 10.5/5	10.5	13/32	5.5	0.5
7	RSM SE 11.9/7	11.9	15/32	8.0	0.6
	RSM SE 13.3/7	13.3	17/32	8.0	0.6
	RSM SE 15.3/7	15.3	19/32	8.0	0.6
	RSM SE 17/7	17.0	21/32	8.0	0.6
	RSM SE 18.5/7	18.5	23/32	10.0	0.6
	RSM SE 21/7	21.0	13/16	10.0	0.6
	RSM SE 24.1/7	24.1	15/16	10.0	0.6
	RSM SE 26/7	26.0	1	10.0	0.6
	RSM SE 28.6/7	28.6	1 1/8	10.0	0.6
	RSM SE 34.6/7	34.6	1 3/8	10.0	0.6
	RSM SE 37.6/7	37.6	1 1/2	10.0	0.6
	RSM SE 42.5/7	42.5	1 11/16	10.0	0.6
	RSM SE 48.5/7	48.5	1 15/16	10.0	0.6
	RSM SE 56/7	56.0	2 3/16	10.0	0.6
	RSM SE 68/7	68.0	2 11/16	10.0	0.6
	RSM SE 71/7	71.0	2 13/16	10.0	0.6
	RSM SE 84/7	84.0	3 5/16	10.0	0.6
	RSM SE 92.5/7	92.5	3 5/8	10.0	0.6
RSM SE 111/7	111.0	4 3/8	10.0	0.6	
RSM SE 120.5/7	120.5	4 3/4	10.0	0.6	

(888-TREAT-IT) • shop.prmfiltration.com • sales@prmfiltration.com