

## PVC Multi-Cartridge Filter Housing, (9) 40" Filters



PRM offers high quality PVC constructed water filter housings for industrial filtration applications. Element sizing can be as low as 0.1 micron where extreme fine filtration is required. These housings offer an economical solution where protection of downstream or point of use equipment is required. Housings and compatible filter cartridges are kept in inventory.

### Features:

- PVC construction for corrosion resistance
- Uses (9) 40 Inch Cartridge Filters
- Flow Capacity up to 216 gpm rating\*
- 3 Inch Inlet/Outlet (Socket) Connections
- (2) 1/4 Inch Ports in top cover, for pressure gauge (not included) and venting
- Silicone Gaskets Standard, Optional Buna-N
- Max. Temperature 104°F
- Max. Operating Pressure: 85 psi
- 1/2 Inch Drain
- 316 Stainless Steel Lid Retainer Hardware with 316 Stainless Steel Bolts
- Filtration for sediment, silt, odor/taste or organic compounds

*\*Flow rates up to 216 GPM depend on cartridge type/length, solids content, viscosity, pressure drop, and degree of clarity desired. Pressure ratings of filter chambers depend upon the temperature of solutions being filtered*

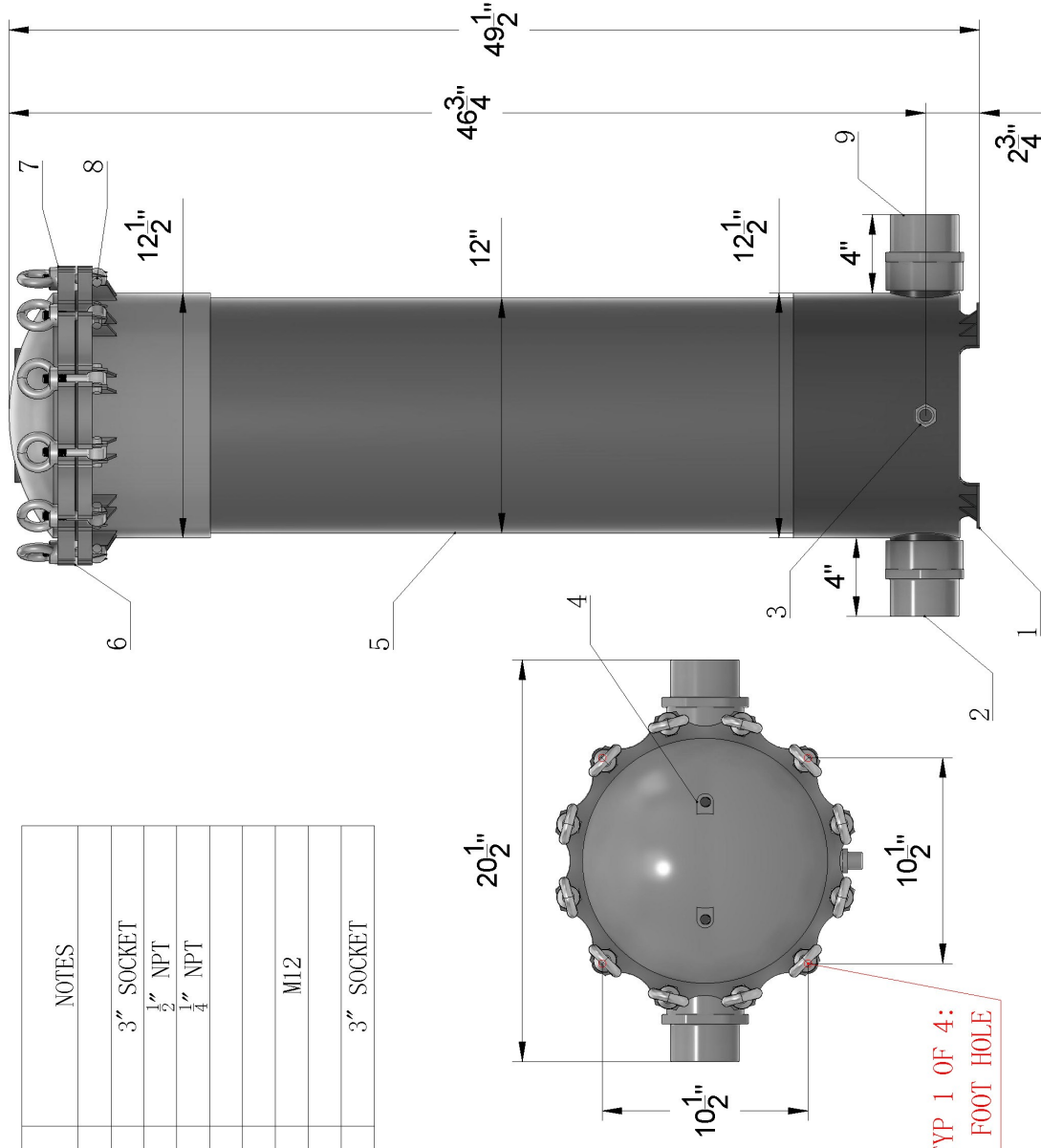


**PRM PART #: BFCARTHPCF9DC4BX**

NO.	ITEM	QTY.	MATERIAL	NOTES
1	FOOT	4	PVC	
2	INLET	1	PVC	3" SOCKET
3	DRAIN	1	PVC	$\frac{1}{2}$ " NPT
4	EXHAUST VENT	2	PVC	$\frac{1}{4}$ " NPT
5	SHELL	1	PVC	
6	LID	1	PVC	
7	SWING BOLTS	12	316 SS	M12
8	BRACKETS	12	316 SS	
9	OUTLET	1	PVC	3" SOCKET

NOTES:

- PRM FILTRATION IS ONLY A SUPPLIER OF THIS EQUIPMENT.
- PRM IS NOT RESPONSIBLE FOR SPECIFYING THIS PRODUCT FOR THE APPLICATION.
- BUYERS AND/OR USER SHOULD REQUIRE AN ENGINEER FOR ENSURING THAT THE PROPER EQUIPMENT IS INSTALLED FOR THE APPLICATION INCLUDING ALL PROPER SAFETY PRACTICES.
- PRM IS NOT RESPONSIBLE FOR ANY DAMAGES TO PROPERTY AND/OR INJURY/DEATH RELATED TO IMPROPER INSTALLATION. FILTRATION EQUIPMENT INSTALLATIONS SHOULD ALWAYS INCLUDE ANCILLARY SAFETY DEVICES AND/OR OPERATIONAL PRACTICES.
- IT IS AGREED THAT PRM NOR ITS OWNERS HAVE LIABILITY WITH THE INSTALLATION AND OPERATION OF THESE OR OTHER PRODUCTS PURCHASED FROM PRM.
- ALLOW UP TO  $\frac{1}{4}$ " TOLERANCE ON ALL MEASUREMENTS.
- MODEL LINK: <https://a360.co/3rXxw0C>



TYP 1 OF 4:  
Ø $\frac{3}{8}$ " FOOT HOLE